

# CHROMY

ELEGANT COAT STAND

CLOSE <sup>2</sup>  
CLOTHES

Timeless with its classy and elegant design, the Chromy coat stand will enhance your desks



6 double pegs for a perfect support and respect of the clothes

Rotating head for easy access to clothing



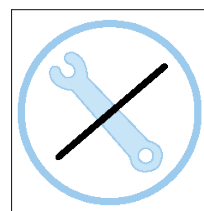
Practical umbrella stand (6)



Weighted base for extra stability (5kg) + water retainer



Quick and easy assembly system without tools (5min)



Compact packaging to reduce the environmental impact



With its timeless and elegant design, the Chromy coat stand consists of a head made up of 6 double hooks, an umbrella stand that can accommodate up to 6 umbrellas and a weighted metal base equipped with a water retainer.



Its chrome finish and timeless design make this coat stand an accessory that will perfectly fit into all your work and reception areas.

Quand le beau rejoint l'utile

# CHROMY

ELEGANT COAT STAND

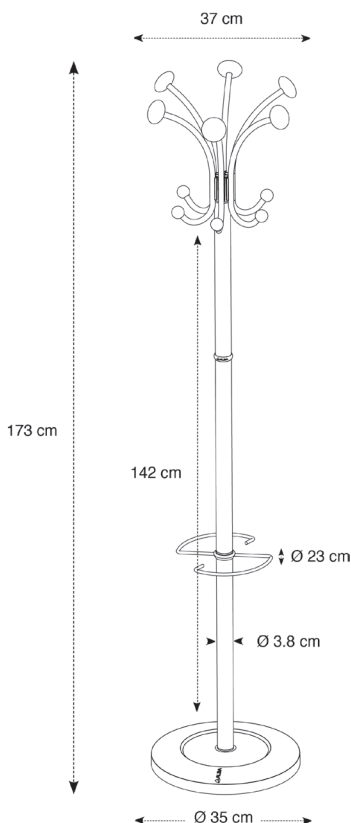
**CLOSE <sup>2</sup>  
CLOTHES**

Timeless with its classy and elegant design, the Chromy coat stand will enhance your desks

PRODUCT FEATURES	
Reference	PMCLAS
EAN	3129710007158
Materials	Drum : Chromed steel
	Pegs : ABS
	Base cover : ABS
Color	Chrome - Black
Product dimensions	Height : 175 cm
	Drum : Ø 3.8 cm
	Base : Ø 35.5 cm
	Weight : 8 kg
Number of pegs	6 double Pegs (12)
Capacity of umbrellas	6
Base	Weighted - 5 kg
Estimated assembly time	5 minutes - Without tools or screws
Origin	French design and development - Manufacturing in PRC
Guarantee	2 years



PACKAGING DIMENSIONS	
* Sales unit (x1SU) Box	Dim. : L. 60 cm x W. 37 cm x H. 10.5 cm
	Weight : 8.5 kg
* Box master (x1SU)	Dim. : L. 77.5 cm x W. 38 cm x H. 10.2 cm
	Weight : 8.5 kg



Quand le beau rejoint l'utile