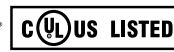



Middle Atlantic Products

EXCEPTIONAL SUPPORT & PROTECTION™

CFR Series Cabinet Frame Rack



EIA/TIA Compliant

Designed to provide rackspace in cabinets, credenzas, podiums, lecterns and other pre-built structures

Features

- Low profile design maximizes the amount of useable rackspace
- Features a strong welded frame that allows for pre-loading equipment and transportation to the installation site
- Available in 16", 18", 20" and 23" depths
- Available in 8 to 16 space useable racking height
- Comes standard with two adjustable front to rear lacing bars for cable dressing or mounting accessories
- Rackrail features offset cable tie area which keeps the rack to a slim 19-1/4" width



CFR-14-18



Architects and Engineers' Specifications

EIA compliant 19" cabinet frame rack shall be Middle Atlantic Products model #CFR- ___-___ (refer to chart). Overall dimensions shall be 19.25" W x ___" H with a useable depth of ___" (refer to drawing). Rack shall have a weight capacity of 250 lbs. Rack shall have ___ rackspaces (refer to chart). Rack shall be constructed of the following materials: top and bottom shall be 16-gauge steel, rackrail shall be constructed of 11-gauge steel with tapped 10-32 mounting holes in universal EIA spacing. Rack shall be finished in a durable black powdercoat. Rack shall include two adjustable side mounted horizontal lacing bars for enhanced cable management. Cabinet frame rack shall be UL listed in the US and Canada. Cabinet frame rack shall be GREENGUARD Gold Certified. Cabinet frame rack shall be RoHS EU Directive 2002/95/EC compliant. Cabinet frame rack shall be manufactured by an ISO 9001 and ISO 14001 registered company. Cabinet frame rack shall be warranted to be free from defects in material or workmanship under normal use and conditions for the lifetime of the product.

OPTIONS

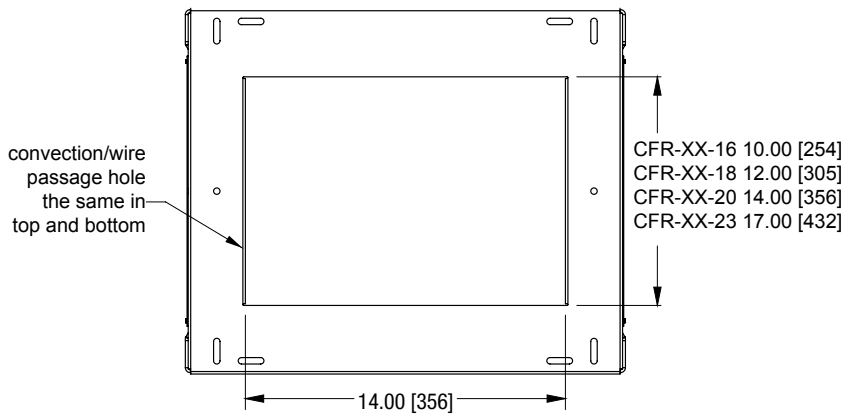
- Runner kit shall be 5-RSXX (XX=useable depth), and shall add 1/4" to the overall height.

CUSTOMIZABLE SPECIFICATION CLIPS AVAILABLE AT MIDDLEATLANTIC.COM

Cabinet Frame Rack basic dimensions

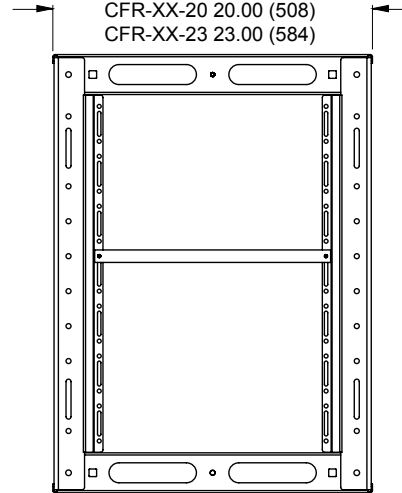
All dimensions in inches unless otherwise noted [All dimensions in brackets are in millimeters]

TOP VIEW

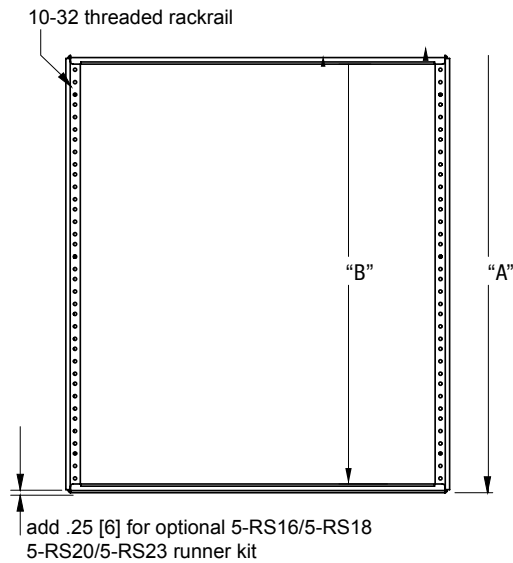


SIDE VIEW

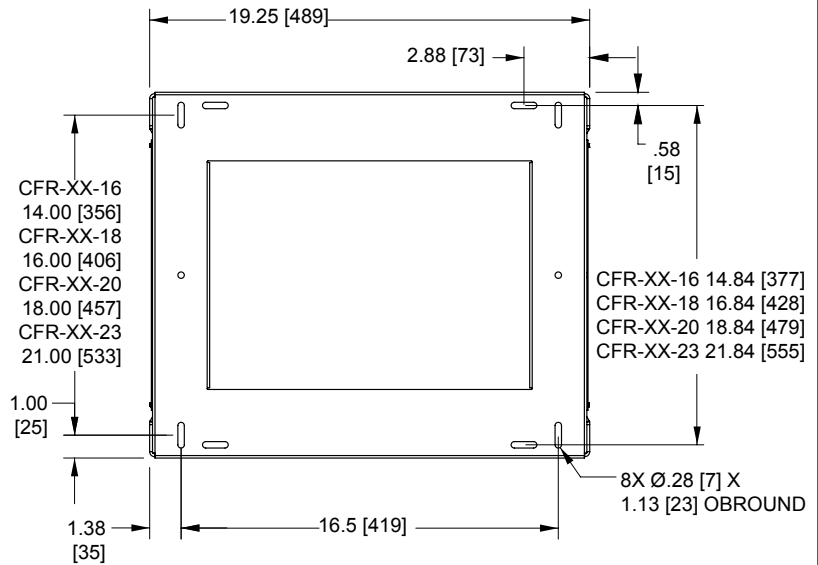
- CFR-XX-16 16.00 [406]
- CFR-XX-18 18.00 (457)
- CFR-XX-20 20.00 (508)
- CFR-XX-23 23.00 (584)



FRONT VIEW



BOTTOM VIEW WITH MOUNTING HOLE DIMENSIONS



Part #	A Overall Height	B Racking Height	# of Rackspace
CFR-16-XX	28.94 [735]	28.00 [711]	16
CFR-15-XX	27.19 [690]	26.25 [667]	15
CFR-14-XX	25.43 [646]	24.50 [622]	14
CFR-13-XX	23.69 [602]	22.75 [578]	13
CFR-12-XX	21.94 [557]	21.00 [533]	12
CFR-11-XX	20.19 [513]	19.25 [489]	11
CFR-10-XX	18.44 [468]	17.50 [445]	10
CFR-9-XX	16.69 [424]	15.75 [400]	9
CFR-8-XX	14.94 [379]	14.00 [356]	8

Note: Replace "XX" with desired depth (16", 18", 20", or 23")

