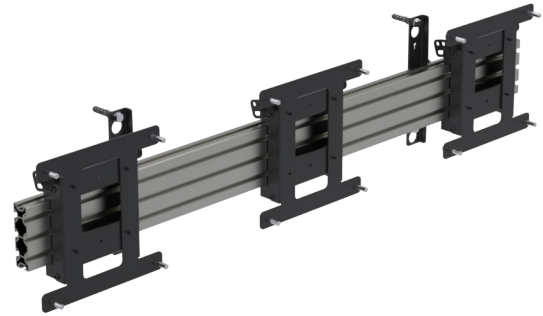


## WT223110LL-A2

Menu board mount, with tilt, for 3 screens (portrait) up to 32" (VESA 100 and 200)

Our wall mounted Menu Board with tilt is designed for three screens (up to 32") in portrait orientation. It supports VESA 100 & 200 configurations and features adjustable tilt for optimal viewing angles. Perfect for dynamic menus or digital signage.



### Features:

- Compatible with 3 screens up to 32" in portrait orientation
- Includes micro adjustment
- Easy hook-on mounting of screens
- Includes fixing to secure screens at the bottom
- Quick release - Optional
- Tilt (degrees) - 0-15°
- Rail can be cut to size for smaller screens



### Specifications

Screen size	Up to 32"
VESA Mounting standard	100x100, 200x200, 100x200 and 200x100
Max weight capacity (kg)	150kg
Distance to wall (cm)	8
Warranty	5 Years
Unit per box	1
Net Unit weight (kg)	7.59
Gross Unit weight (kg)	8
Product colour	Black
Colour Type	Structured, Anti-Microbial
Other colours available	White, Grey
HS code	8473308000
Main Material	Metal
Number of Screens	3
Screen Orientation	Portrait
Security Features	Yes - Secure screw

### Product Dimensions

Unit Depth (mm):	80
Unit Height (mm):	235
Unit Width (mm):	1100

### Package Dimensions

Package Depth (mm):	1200
Package Height (mm):	350
Package Width (mm):	250