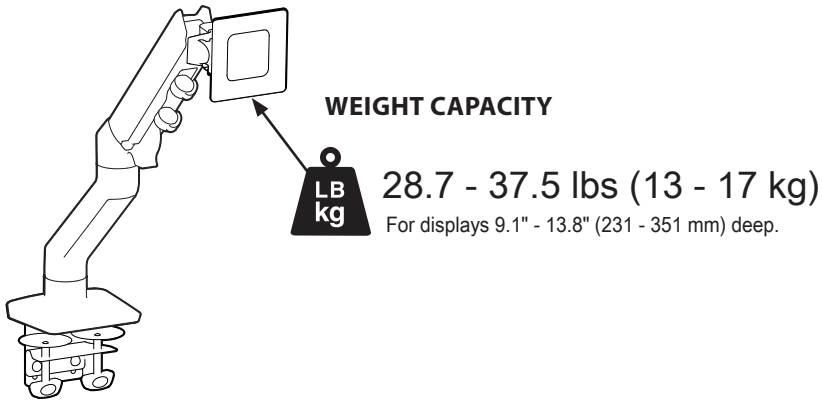
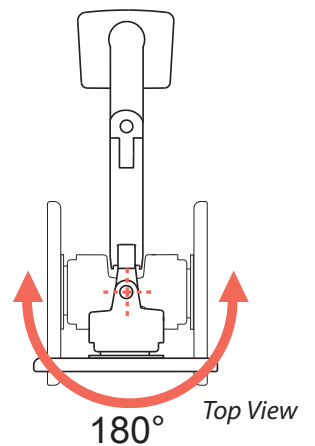
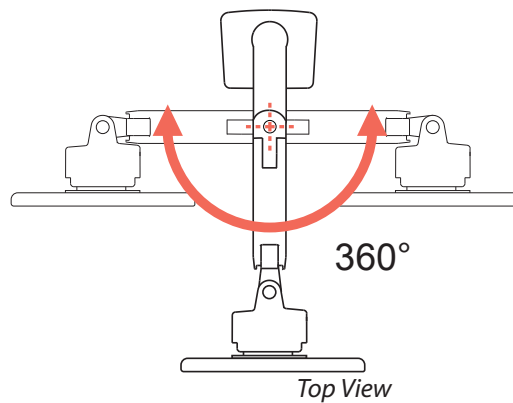
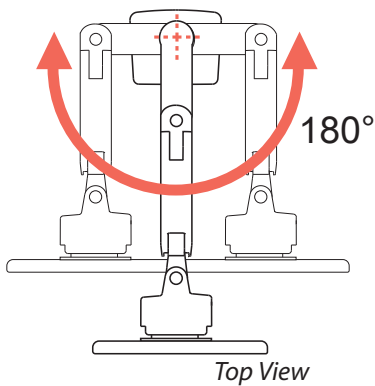
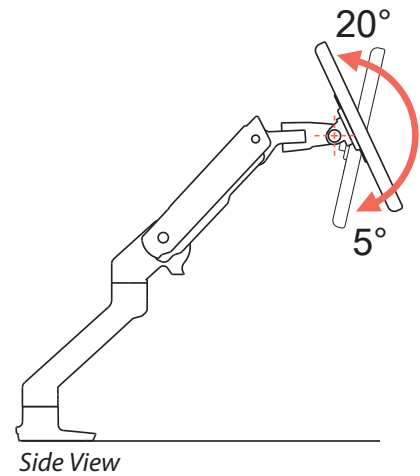
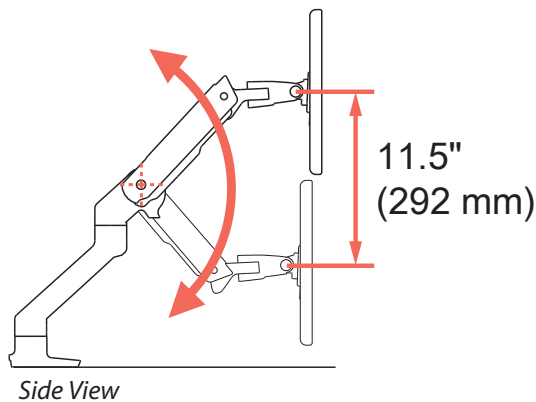
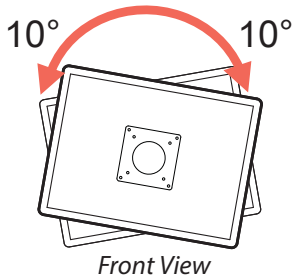
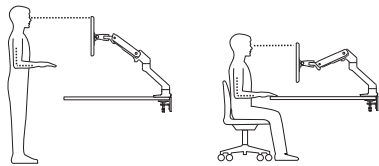


## HX Desk Monitor Arm with VHD Pivot



### RANGE OF MOTION



Download additional resources at [ergotron.com](http://ergotron.com)

USA & Canada Sales & Corporate Headquarters: St. Paul, MN USA / 800.888.8458 / +1.651.681.7600 / [insidesales@ergotron.com](mailto:insidesales@ergotron.com)

EMEA Sales: Amersfoort, The Netherlands / +31.33.45.45.600 / [info.eu@ergotron.com](mailto:info.eu@ergotron.com)

APAC Sales: Sydney, Australia / [apaccustomerservice@ergotron.com](mailto:apaccustomerservice@ergotron.com)

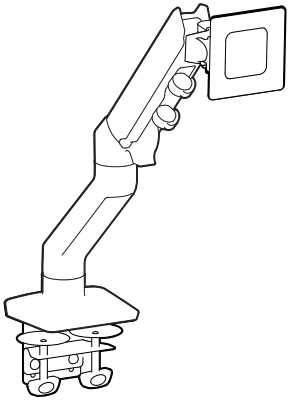
LATAM Sales: [info.latam@ergotron.com](mailto:info.latam@ergotron.com)

Worldwide Custom Sales: [custom@ergotron.com](mailto:custom@ergotron.com)

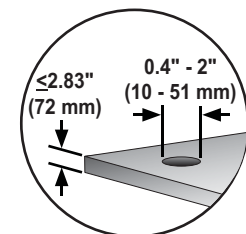
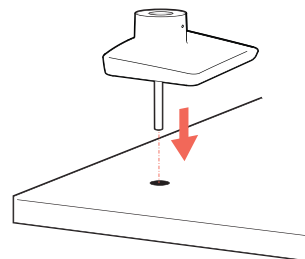
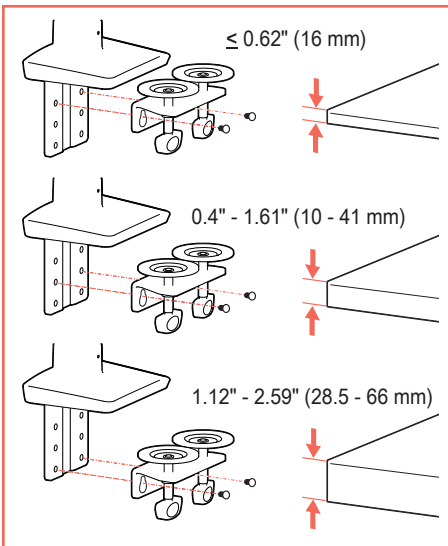
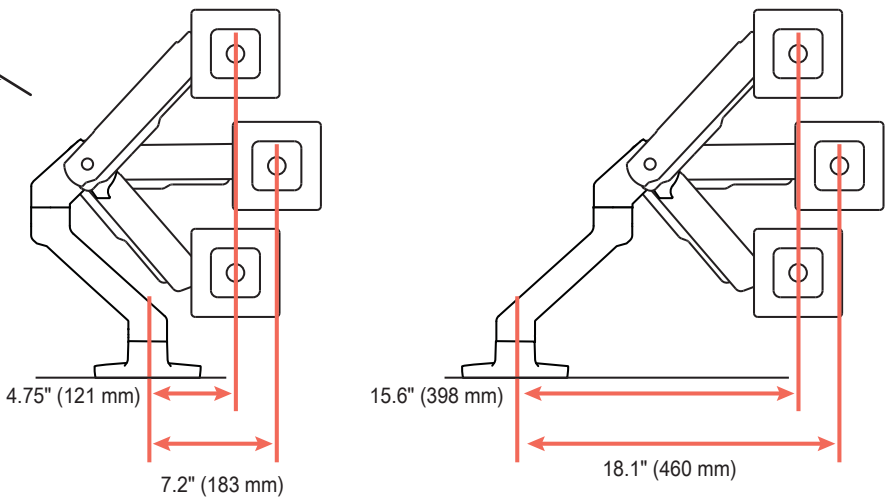
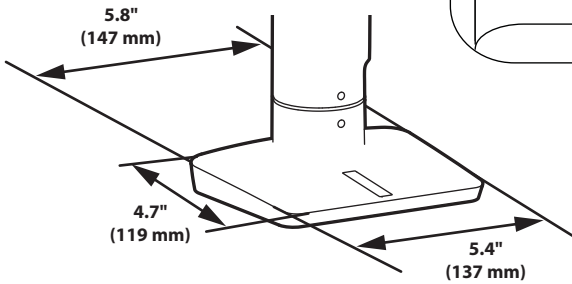
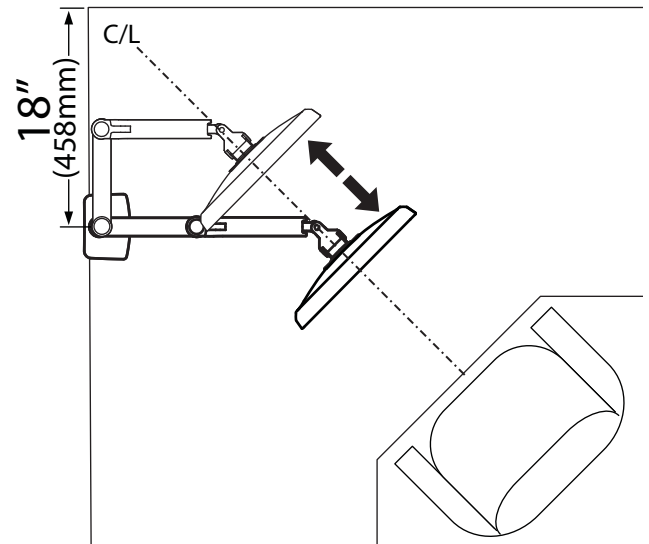
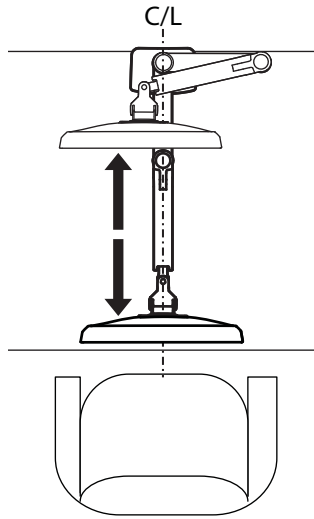
Ergotron devices are not intended to cure, treat, mitigate or prevent any disease. Patent information available at [www.ergotron.com/patents](http://www.ergotron.com/patents)

© 2024 Ergotron, Inc. rev. 08/26/2024 DIM-HX-VHD-DESK **Content is subject to change without notification**

## HX Desk Monitor Arm with VHD Pivot



### DIMENSIONS



Download additional resources at [ergotron.com](http://ergotron.com)

USA & Canada Sales & Corporate Headquarters: St. Paul, MN USA / 800.888.8458 / +1.651.681.7600 / [insidesales@ergotron.com](mailto:insidesales@ergotron.com)

EMEA Sales: Amersfoort, The Netherlands / +31.33.45.45.600 / [info.eu@ergotron.com](mailto:info.eu@ergotron.com)

APAC Sales: Sydney, Australia / [apaccustomerservice@ergotron.com](mailto:apaccustomerservice@ergotron.com)

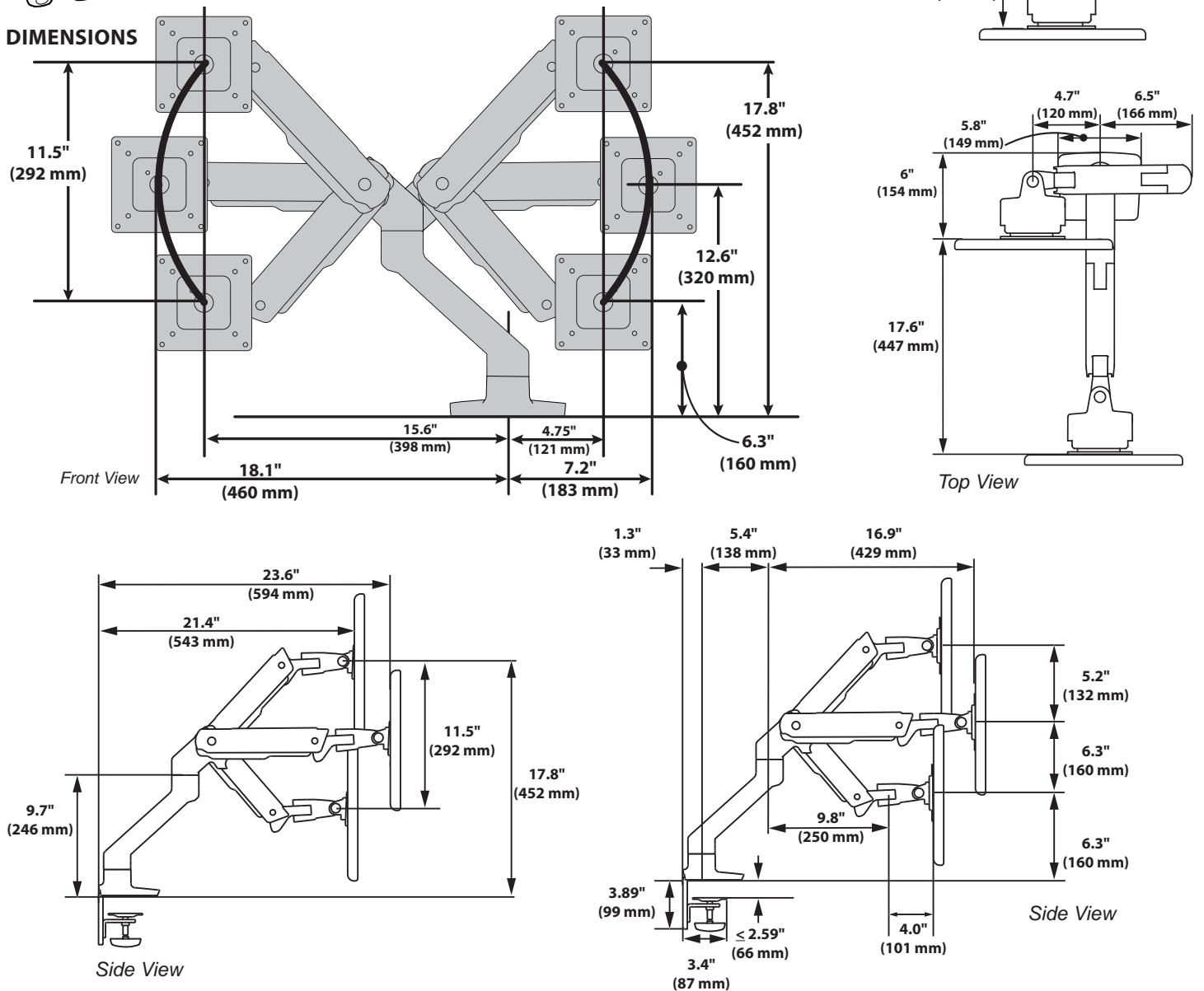
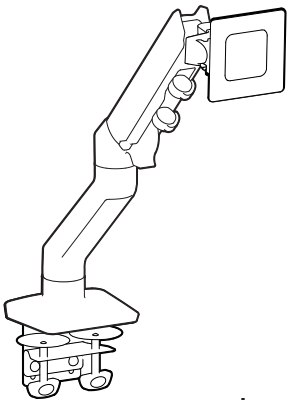
LATAM Sales: [info.latam@ergotron.com](mailto:info.latam@ergotron.com)

Worldwide Custom Sales: [custom@ergotron.com](mailto:custom@ergotron.com)

Ergotron devices are not intended to cure, treat, mitigate or prevent any disease. Patent information available at [www.ergotron.com/patents](http://www.ergotron.com/patents)

© 2024 Ergotron, Inc. rev. 08/26/2024 DIM-HX-VHD-DESK **Content is subject to change without notification**

## HX Desk Monitor Arm with VHD Pivot



Download additional resources at [ergotron.com](http://ergotron.com)

USA & Canada Sales & Corporate Headquarters: St. Paul, MN USA / 800.888.8458 / +1.651.681.7600 / [insidesales@ergotron.com](mailto:insidesales@ergotron.com)

EMEA Sales: Amersfoort, The Netherlands / +31.33.45.45.600 / [info.eu@ergotron.com](mailto:info.eu@ergotron.com)

APAC Sales: Sydney, Australia / [apaccustomerservice@ergotron.com](mailto:apaccustomerservice@ergotron.com)

LATAM Sales: [info.latam@ergotron.com](mailto:info.latam@ergotron.com)

Worldwide Custom Sales: [custom@ergotron.com](mailto:custom@ergotron.com)

Ergotron devices are not intended to cure, treat, mitigate or prevent any disease. Patent information available at [www.ergotron.com/patents](http://www.ergotron.com/patents)

© 2024 Ergotron, Inc. rev. 08/26/2024 DIM-HX-VHD-DESK **Content is subject to change without notification**