

| POS | PARTS LIST | QTY. | DESCRIPTION | BOX |
|-----|------------|------|---|-----|
| 1 | C800165 | 1 | Wall rail for universal flat wall mount, up to VESA 400 | |
| 2 | C800168 | 1 | Professional vertical VESA rail, VESA 200/300/400 | |
| | MK15-0484 | 1 | Installation guide for Universal flat wall mounts | |
| | B0250 | 1 | Box L716xW152xH38mm / L28.2xW6xH1.5in | |
| | B0250B | 2 | Insert L510xW115xH3mm / L20.1xW4.5xH0.1in | |

ADDITIONAL INFO: Special installation Guide for Universal Flat Wall Mount

QTY. of configs in master box: 1

Item Net Weight: 1.65 kg | 3.64 lbs

Pallet Capacity: B0250 (344 items)

Colour: nn

01 = Light Grey

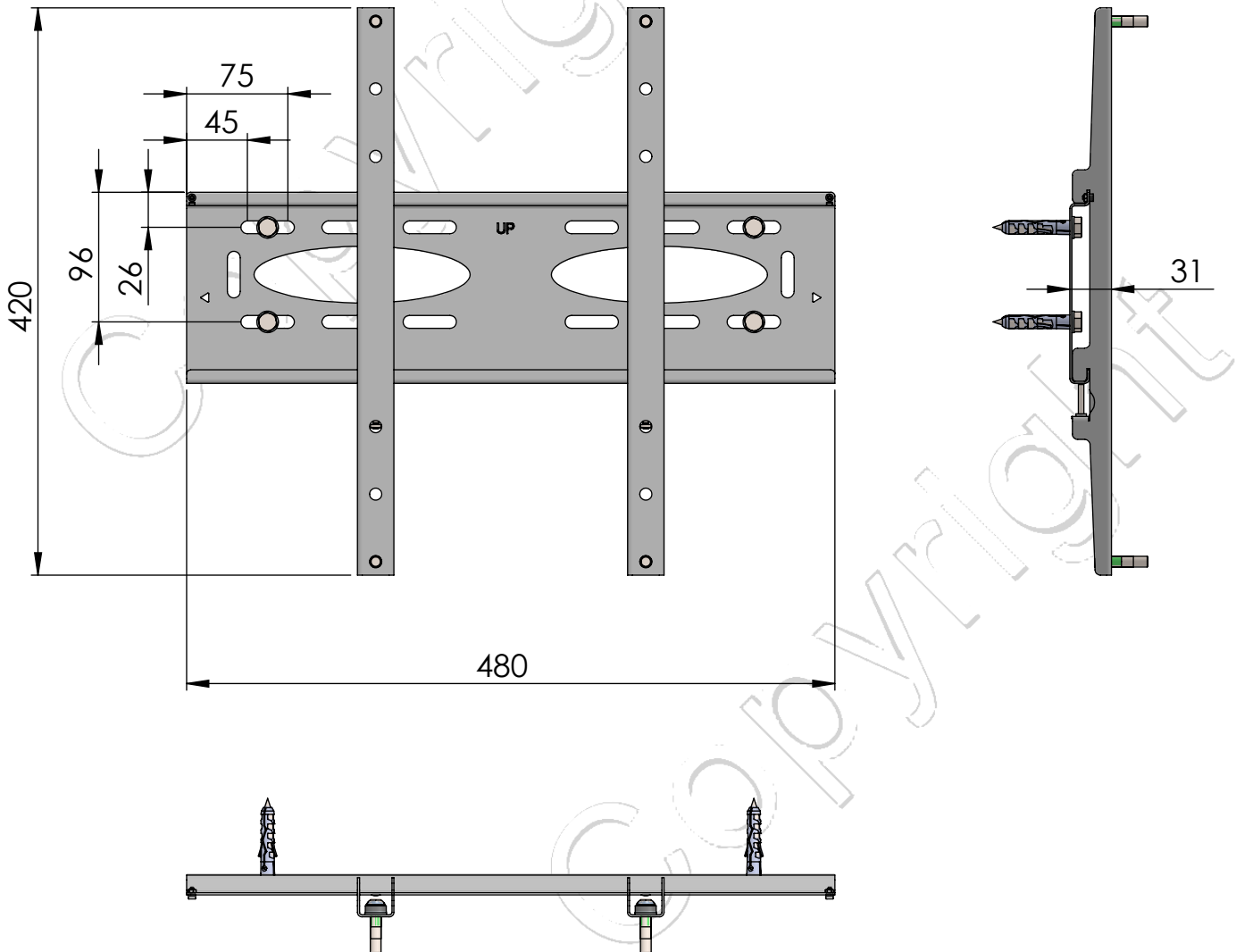
02 = Black

03 = Silver

04 = Pearl

05 = Iron Grey

32 = White



ADDITIONAL INFO: Special installation Guide for Universal Flat Wall Mount

QTY. of configs in master box: 1 **Item Net Weight:** 1.65 kg | 3.64 lbs **Pallet Capacity:** B0250 (344 items)

Colour: nn 01 = Light Grey 02 = Black 03 = Silver 04 = Pearl 05 = Iron Grey 32 = White