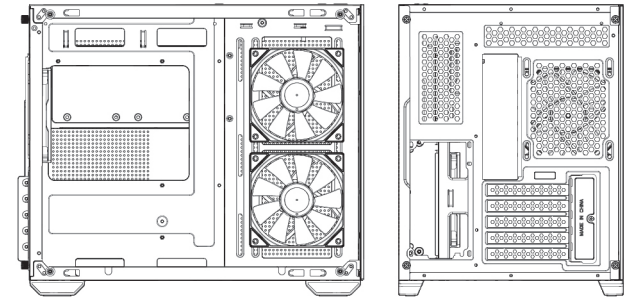
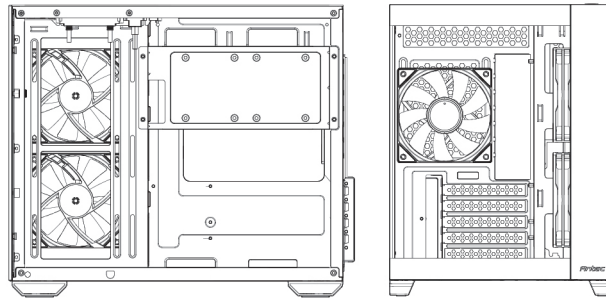


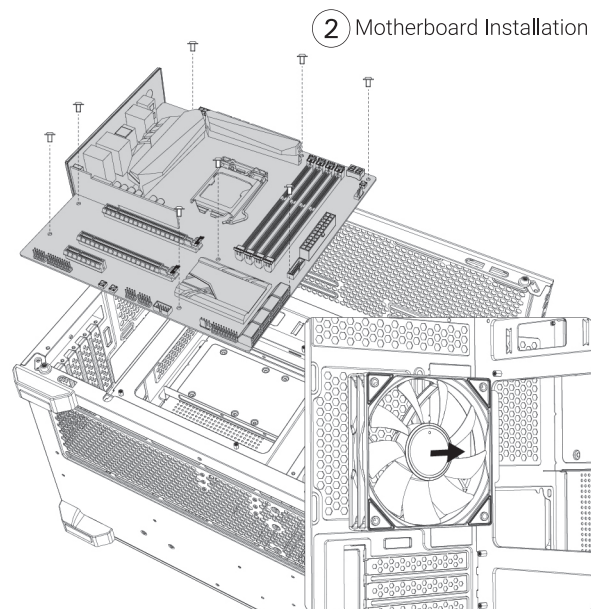
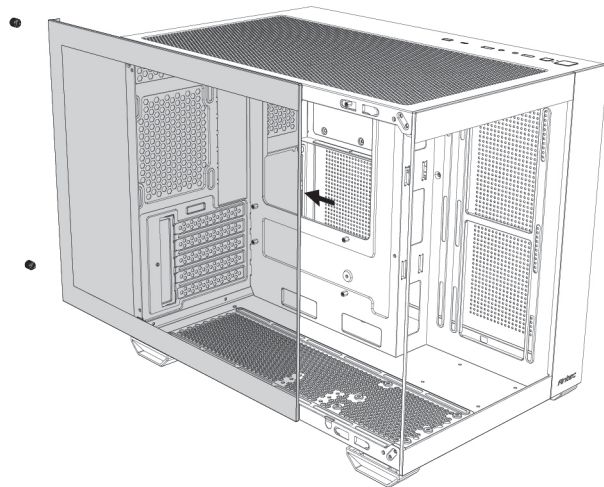
CX600M WOOD ARGB



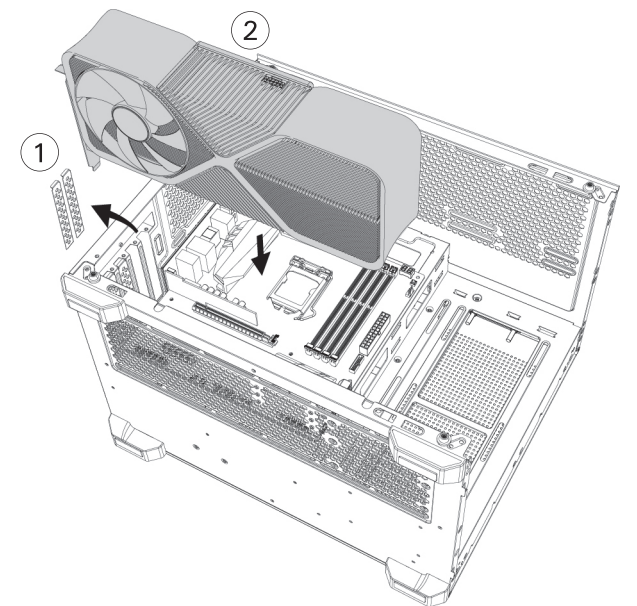
- 1 REMOVE SIDE PANEL**
 EXTRACCIÓN DEL PANEL LATERAL
 SEITENWAND ENTFERNEN
 RETIRER LE PANNEAU LATÉRAL
 사이드 패널 분리
 サイドパネルを取り外します
 拆下側面板

- 2 MOTHERBOARD INSTALLATION**
 INSTALACIÓN DE LA PLACA BASE
 INSTALLATION DES MOTHERBOARDS
 INSTALLATION DE LA CARTE MÈRE
 메인보드 장착
 マザーボードの設置
 安装主板

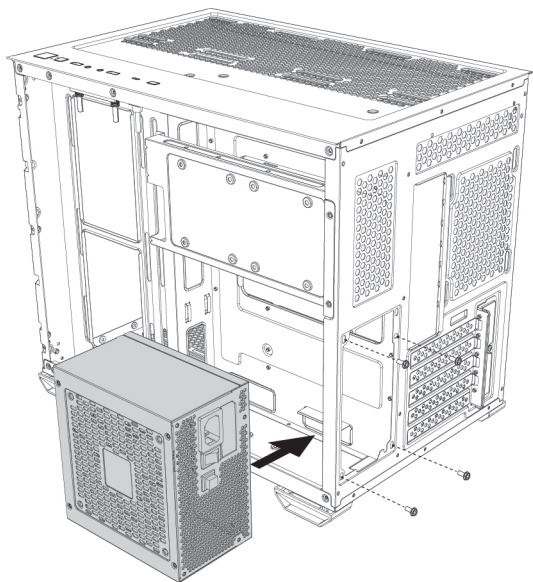
- 3 VGA/PCI-EXPRESS CARD INSTALLATION**
 INSTALACIÓN EXPRES DE LA TARJETA VGA/PCI
 VGA / PCI-EXPRESS KARTENINSTALLATION
 INSTALLATION DE LA CARTE VGA/PCI-EXPRESS
 VGA/PCI-E 카드 장착
 VGA/PCI-Eの設置
 安装VGA/PCI-E卡



- 1** If there're pre-installed fans, remove the rear fan and the fans on the PSU shroud first.

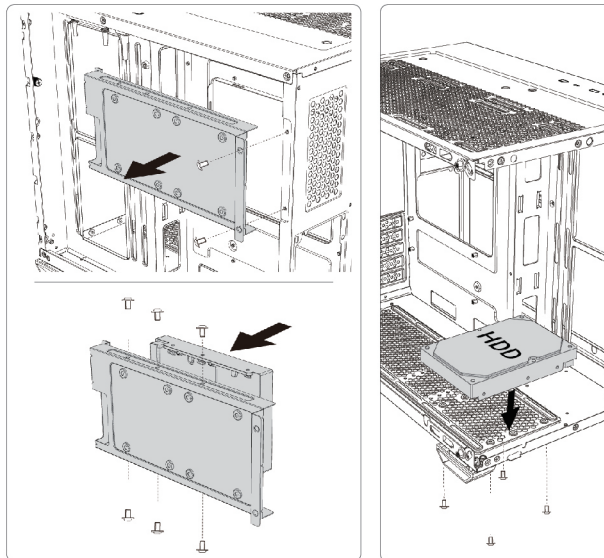


- 4 POWER SUPPLY INSTALLATION**
 INSTALACIÓN DE LA FUENTE DE ALIMENTACIÓN
 INSTALLATION DES NETZTEILS
 INSTALLATION DU BLOC D'ALIMENTATION
 파워서플라이 장착
 電源の設置
 安装电源组件

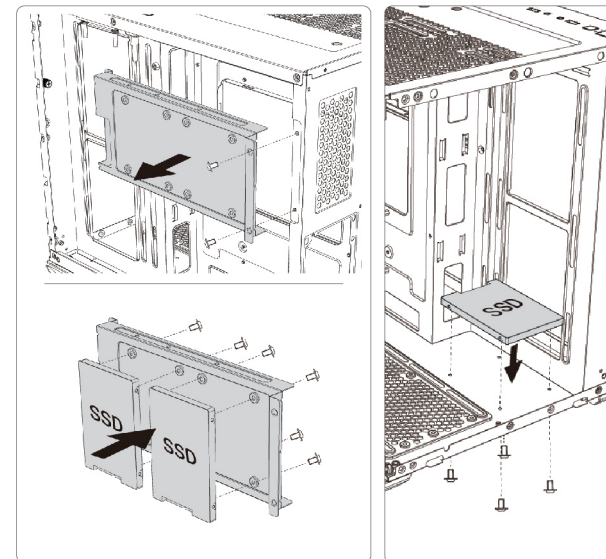


- 5 HARD DISK INSTALLATION**
 INSTALACIÓN DEL DISCO DURO
 FESTPLATTENINSTALLATION
 INSTALLATION DES DISQUES DURS
 드라이브 장착
 ドライブの設置
 安装驱动器

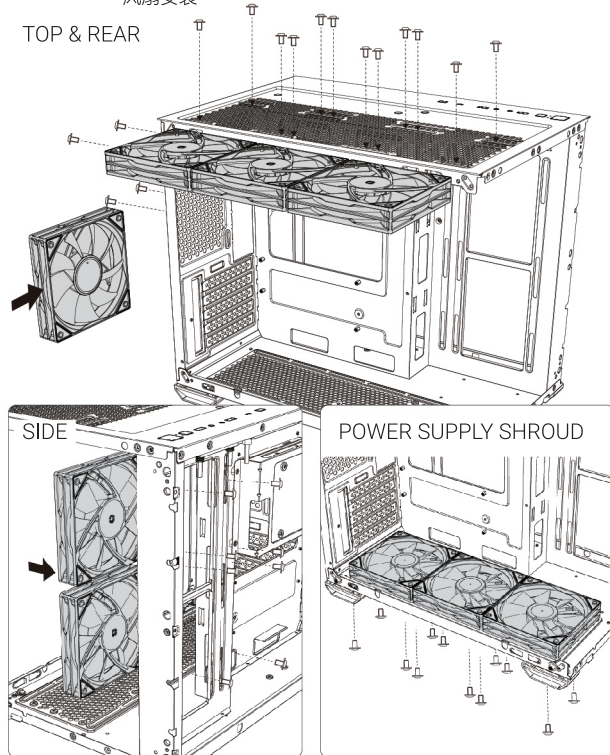
- A. INSTALLING A 3.5" HARD DISK DRIVE**
 INSTALAR UNA RANURA DE DISCO DURO DE 3.5"
 INSTALLATION EINES 3.5" FESTPLATTENLAUFWERKS
 INSTALLER UN DISQUE DUR 3.5"
 3.5" HDD 장착
 3.5" 드라이브의設置
 3.5寸硬盘安装



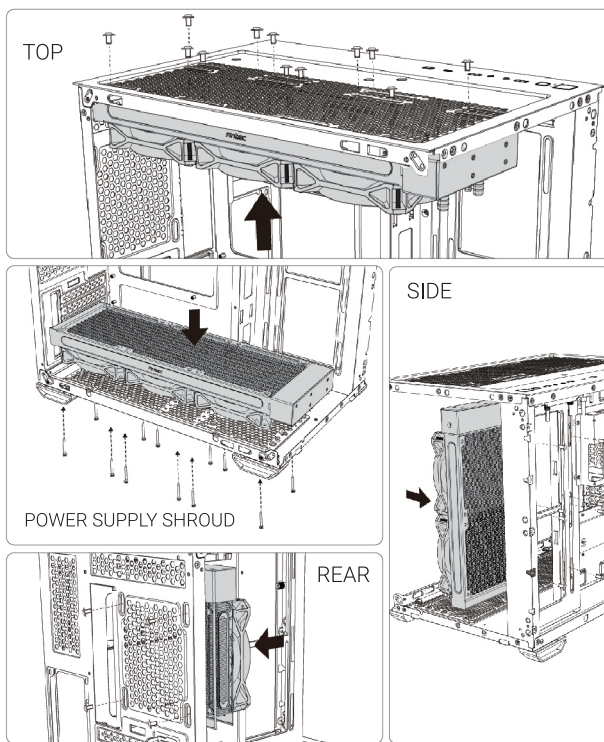
- B. INSTALLING A 2.5" SOLID STATE DRIVE**
 INSTALAR UNA RANURA SOLID STATE DE 2.5"
 INSTALLATION EINES 2.5 ZOLL SSD
 INSTALLER UN DISQUE DUR 2.5"
 2.5" SSD 장착
 2.5" 드라이브의設置
 2.5寸硬盘安装



- 6 FAN INSTALLATION**
 INSTALAR VENTILADOR
 LÜFTERINSTALLATION
 INSTALLATION DU VENTILATEUR
 팬 장착
 케이스팬의設置
 风扇安装



- 7 INSTALLING LIQUID COOLING RADIATOR**
 INSTALAR EL RADIADOR DE REFRIGERACIÓN LÍQUIDA
 INSTALLATION EINES FLÜSSIGKEITSKÜHLERS
 INSTALLATION D'UN KIT DE REFOUÏSSMENT LIQUIDE
 수냉쿨러 장착
 水冷の設置
 水冷安装



Antec®

www.Antec.com

All rights reserved. Specifications are subject to change without prior notice. Actual products and accessories may differ from illustrations. Omissions and printing errors excepted. Content of delivery might differ in different countries or areas. Some trademarks may be claimed as the property of others.

V2.2

©1986 – 2024 Antec, Inc. All rights reserved.