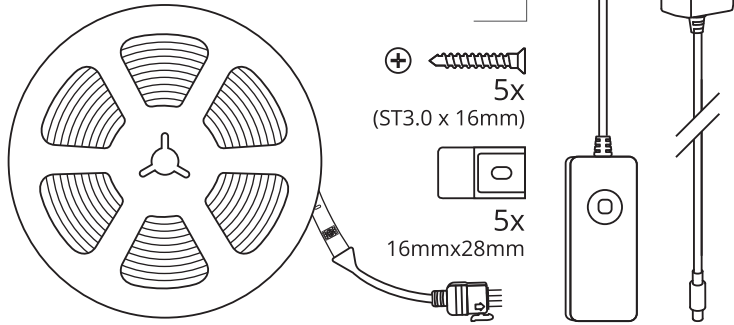


## SMART LED STRIP

### Installation manual



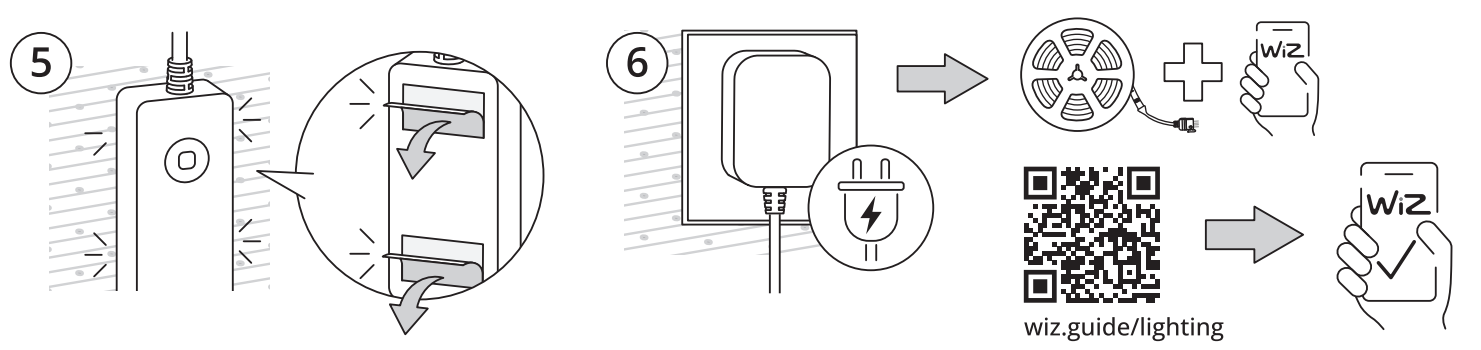
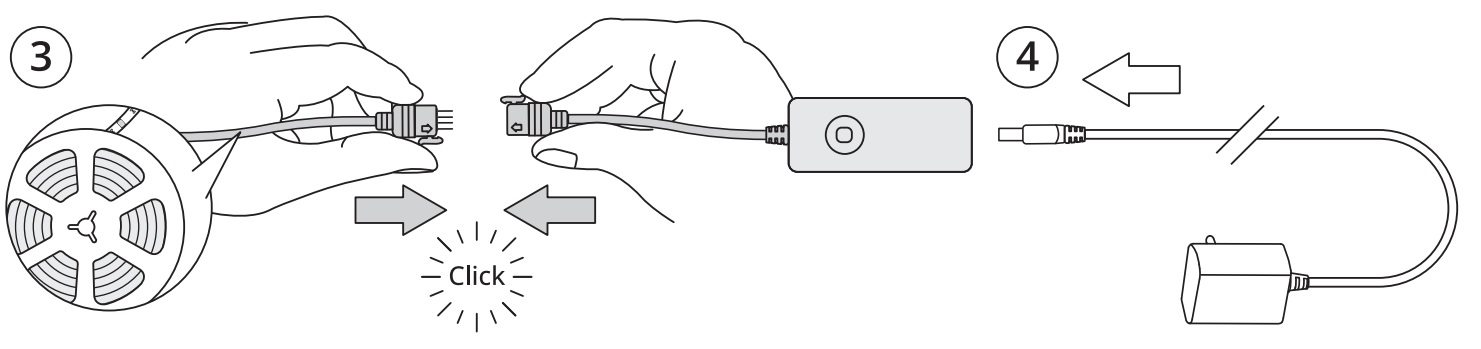
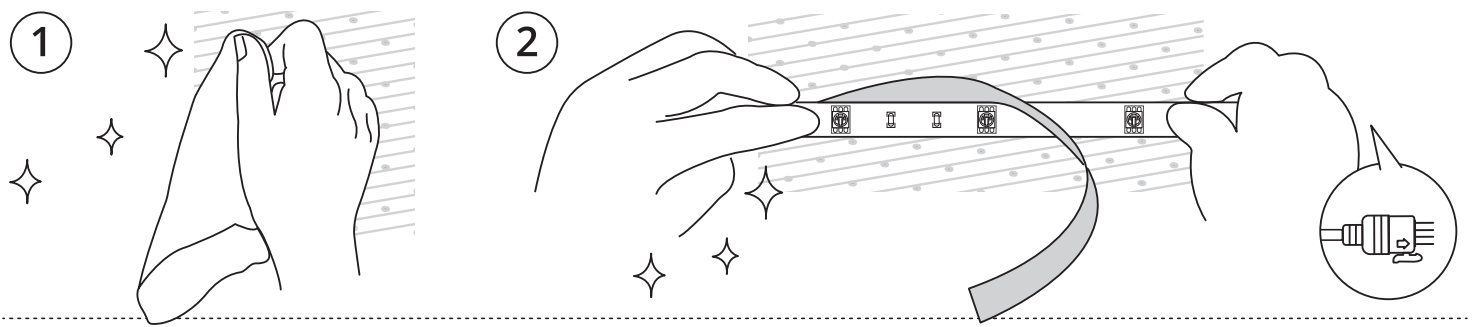
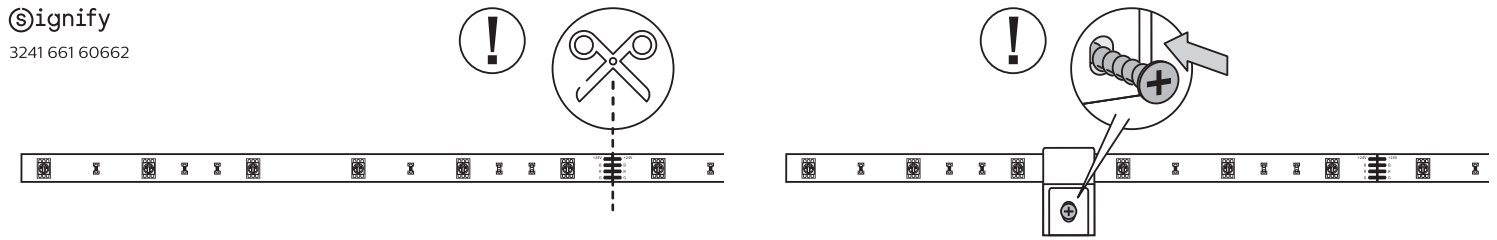
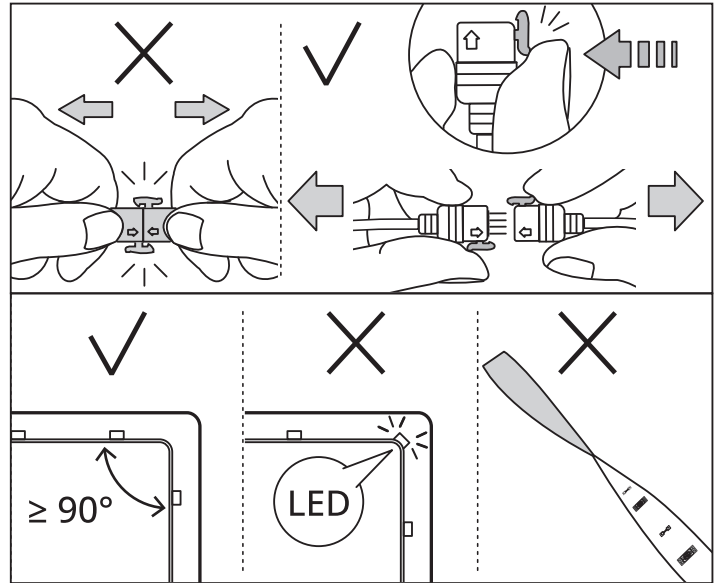
9290041257, 9290041259, 9290041260, 9290041264, 9290041265,  
9290041266, 9290041268, 9290041270, 9290041271, 9290041397,  
9290041398, 9290041399, 9290041401, 9290046217, 9290046218

wizconnected.com

©2024 Signify Holding

Signify

3241 661 60662



wiz.guide/lighting



**WARNING: Luminaires shall be connected to the supply in compliance with the national standard of the country where the luminaires will be installed. Should you have any doubt, please seek advice from a professional electrician.**

### 1. Product introduction

We hope that you enjoy WIZ mainstream color strip, creating your light shape with a nice decoration and ambiance.

### 2. Safety instructions

Always respect electrical specifications described on product label. The product is not suitable for working condition below -10 degrees centigrade.

The product is only suitable for dry indoor usage.

Do not connect the LED strip to the supply while it is in the packing or wound onto a reel.

- a) Do not interconnect parts of this LED strip with parts of another manufacturer's strips.
- b) Use only the LED driver and control box provided with the LED strip kit.
- c) This led strip is non-extendable.
- d) Be cautious of static electricity during installation and usage.

To reduce the risk of strangulation the flexible wiring connected to this luminaire shall be effectively fixed to the wall if the wiring is within arm's reach.

### 3. Warning before installation

Always disconnect from main supply before installation, connection and servicing.

Any installation, repair can only be carried out by the manufacturer, his service agent or similarly qualified person.

Be cautious of static electricity during installation and usage.

### 4. Installation steps

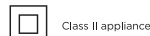
- a) Refer to installation manual for the detailed steps;
- b) Launch WIZ app to connect the product;
- c) Controlling with the Control box:

Button	Function
Short press	Turn the light on/off
Long press when light on	Adjust brightness
Long press when light off	Pairing

### 5. Symbols explanation



Class III appliance



Class II appliance



Please inform yourself about the local waste disposal, separation and collection system for electrical and electronic products and packaging. Please act according to your local rules and do not dispose your old product and packaging with your normal household waste. The correct disposal of the packaging, your product and/or batteries will help prevent potential negative consequences for the environment and human health. Batteries should be disposed separately from the municipal waste stream via designated collection facilities. When disposing a product that contains non-user replaceable batteries, the non-user replaceable batteries shall be removed by a professional.



Replaceable (LED only) light source by an end-user



Indoor use only +14°F/-10°C - +104°F/+40°C



Replaceable control gear by an end-user



This product contains a light source of energy efficiency class G

### 6. Warranty

Warranty is subject to strict conditions of use, for more information, please visit our website: <https://www.wizconnected.com/en/consumer/support/>

#### Wireless specification:

Wireless RF mode frequency band: 2400 - 2483.5 MHz

Maximum transmitted power:

Wi-Fi: Max 20 dBm

Bluetooth: Max 10 dBm

Products shall not be used with dimmers, for dimming use the WIZ application.

On/off functionality available without Wi-Fi connectivity.

Hereby, Signify declares that the radio equipment type WIZ luminaires are in compliance with Directive 2014/53/EU (RED). The full text of the EU declaration of conformity is available at the following internet address: [wizconnected.com](http://wizconnected.com).

Hereby, Signify declares that the radio equipment type WIZ luminaires are in compliance with the Radio Equipment Regulations 2017 (S.I. 2017/1206). The full text of the UK declaration of conformity is available at the following internet address: [wizconnected.com](http://wizconnected.com).

Wi-Fi®, the Wi-Fi logo, the Wi-Fi CERTIFIED logo are registered trademarks of Wi-Fi Alliance.

Wi-Fi CERTIFIED™, WPA2™, WPA3™ are trademarks of Wi-Fi Alliance.

The Bluetooth® word mark and logos are registered trademarks owned by Bluetooth SIG, Inc. Amazon, Alexa and all related logos are trademarks of Amazon.com, Inc. or its affiliates.

Google, Google Play and the Google Play logo are the trademark of Google LLC.

The Apple logo and Siri are the registered trademark of Apple Inc.

Any use of such marks by Signify is under license. Other trademarks and trade names are those of their respective owners.

#### UK PSTI Statement of Compliance

- 1. Product: Philips/WIZ Light strip
- 2. Manufacturer Name & Address: Signify; I.B.R.S./C.C.R.I. /Numéro 10461 5600 VB Eindhoven, the Netherlands

Authorized Representative Name & Address:

Signify Commercial UK Limited; Unit 3, Guildford Business Park, Guildford, Surrey, GU2 8XG, UK

3. This statement of compliance is issued under the sole responsibility of the manufacturer, Signify

4. The product(s) described above is(are) in conformity with the applicable security requirements in Schedule 1 of the Product Security and Telecommunications Infrastructure (Security Requirements for Relevant Connectable Products) Regulations 2023 (PSTI), OR

The product(s) described above is(are) in conformity with the applicable requirements of ETSI EN 303 645 V2.1.1

5. Defined support period: 5 years.

6. Signed for and on behalf of Signify: