

SHIFT ARGB

Vertical GPU bracket with PCI-E 4.0 riser cable



Shift ARGB Black



Shift ARGB White

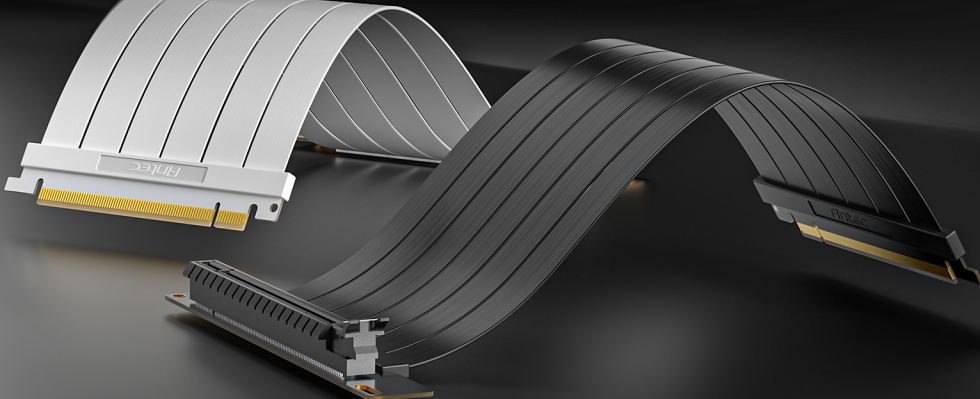
SHOWCASE YOUR GLARING GRAPHICS CARD VERTICALLY

Compatible with graphics cards of any length and up to 3-slot wide.



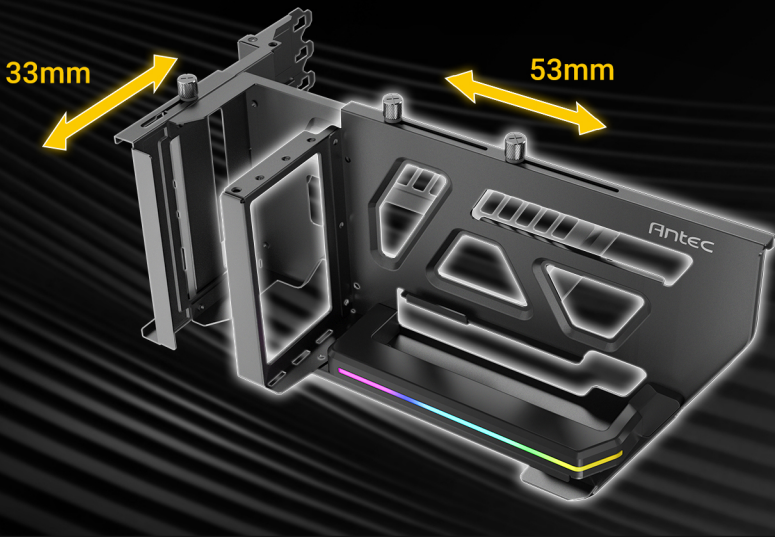
PCI-E 4.0 RISER CABLE

Perfectly compatible with the latest GPU **up to RTX 4090**. 190mm long, which is the most ideal length of cable to pair with the bracket that prevents poor performance or insufficient space.



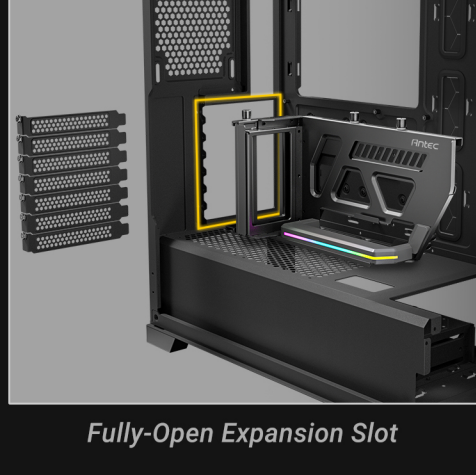
TOOL-FREE MULTI-DIRECTIONAL ADJUST

53mm horizontally and 33mm towards the side panel.

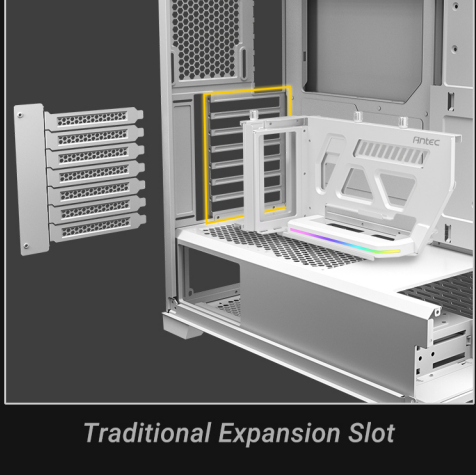


SUPPORTS ALL STANDARD E-ATX & ATX CHASSIS

Fit all types of PCI slot.



Fully-Open Expansion Slot



Traditional Expansion Slot

SUPPORTS ALL STANDARD M-ATX CHASSIS

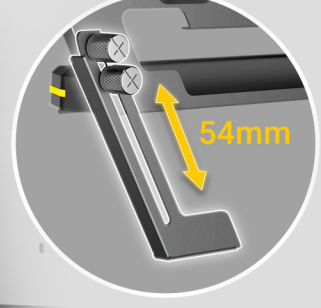
- At least 4 PCI slots
- Remove rear fan if necessary
- Max. CPU cooler height: 70mm



Remove the small iron piece to mount the bracket on M-ATX cases.

VERTICAL SUPPORT BRACE

54mm of adjustable range to reach the bottom of huge cases.



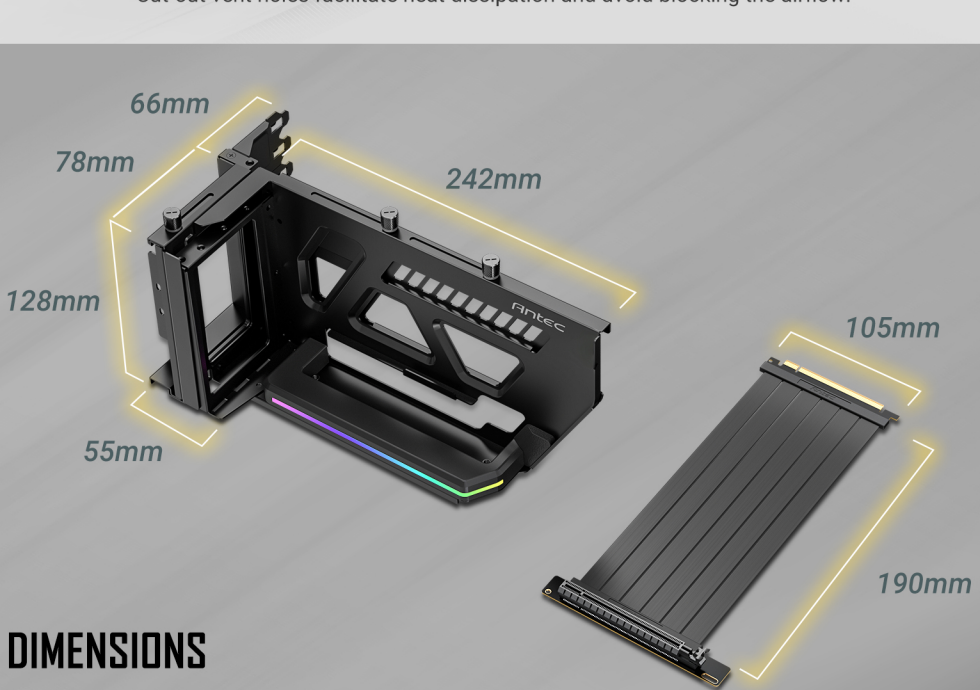
ARGB LIGHTING EFFECT SYNC

Extendable 3-Pin Daisy-Chain ARGB connector provides a much easier way to integrate ARGB lighting with motherboard and other components.



BEST GPU COOLING DESIGN

Cut-out vent holes facilitate heat dissipation and avoid blocking the airflow.



DIMENSIONS

SPECIFICATION

Model Name		Riser Cable	
Shift ARGB Black	AT-ARCVB-BK190-A-PCIE4-RTX40	Color	Black / White
Shift ARGB White	AT-ARCVB-W190-A-PCIE4-RTX40	Cable Length	190 mm
GPU Bracket		PCIe Standard	PCIe 4.0 x 16
Color	Black ARGB / White ARGB	Compatibility	PCIe 4.0 and older
Dimensions	284.1(L) x 145(W) x 133.1(H) mm (close) 337.6(L) x 178(W) x 195.6(H) mm (open)	Rated Voltage	DC 12V
Supported Chassis Type	E-ATX, ATX, Micro ATX(Conditional)	Rated Current	5A
Supported Graphics Cards	Max. 3 slots wide	General	
PCI Slot Number	Min. 4 PCI slots required	Net Weight	0.94kg
LED Type	3-Pin 5V ARGB Connectors	Gross Weight	1.13kg
		Warranty	1 year
		UPC#	0-761345-77801-5 Shift ARGB Black 0-761345-77802-2 Shift ARGB White