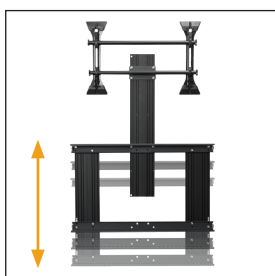
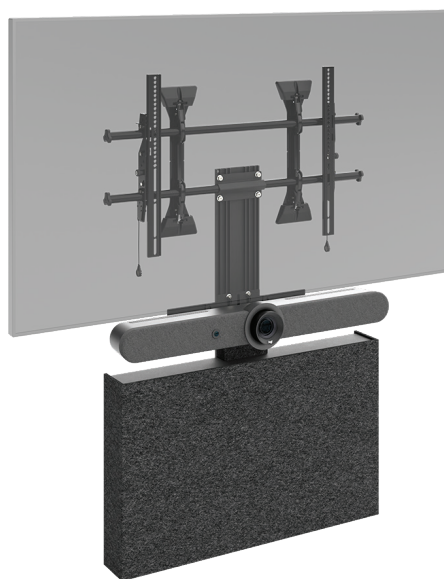




FUSION STORAGE CABINET

A stylish way to store AV

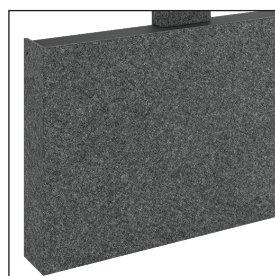
The Fusion Storage Cabinet system responds to modern AV applications that need an aesthetic front-serviceable AV storage solution when installing small devices and rack mounted equipment behind the display is not an option. Designed with flexibility and style in mind, the Fusion Storage Cabinet (FCASTC) seamlessly integrates with Chief's award-winning Fusion wall mounts. The cabinet allows for height positioning beneath the display while eliminating the need for wall-mounting. Experience convenience and aesthetic appeal with Chief's Fusion Storage Cabinet.



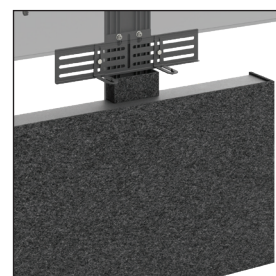
Height positioning of the cabinet and no wall mounting required!



Flexible positioning of 19" rack-mounted equipment and smaller devices

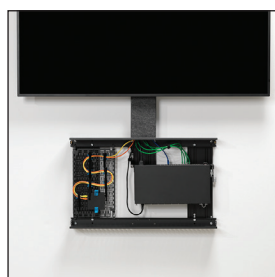


Stylish acoustic felt front cover with integrated security



Included universal camera mount to easily add any of the most popular video bars

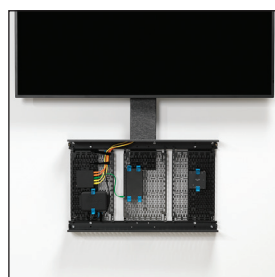
Loaded with installation features



- 19" rack mounting
 - Pair of 19" rack mount brackets included (shown with front of device facing upwards)
- Small device mounting
 - 1 Lever Lock™ panel included



- 19" rack mounting
 - Pair of 19" rack mount brackets included (shown with front of device facing sideways)
- Small device mounting
 - 1 Lever Lock™ panel included



- Small device mounting
 - 1 Lever Lock™ panel included
- Small device mounting
 - Option to add a 2nd and 3rd Lever Lock™ panel



- Small device mounting
 - 1 Lever Lock™ panel included
- Small device mounting
 - Crestron Flex Compatible

Packaging and a fast installation

The Storage Cabinet and front cover arrive fully assembled, ready for quick installation onto Fusion mounts in just a few minutes. Not only does the innovative packaging provide sturdy protection for global shipping, but it's also tailored for effortless multi-room rollouts. Load AV equipment within the cabinet before installation, then conveniently re-packaged for shipping and on-site installation. Furthermore, rest assured that no plastic is utilized in the packaging.

Concerned about retrofitting into existing Chief Fusion mounts? No worries! The Storage Cabinet seamlessly integrates into any current setup, effortlessly expanding storage capacity.



KEY FEATURES

- No wall-mounting required! Quick-connects to Chief Fusion® Wall Mounts
- One person install under 5 minutes
- Acoustic felt front cover snaps on with magnets and includes integrated security
- Allows for flexible height positioning under the display
- Multi-purpose packaging allows pre-installed cabinets to be repacked for convenient shipping to installation sites
- Product and packaging completely free from plastic
- Passive thermal management ensures proper cooling of the equipment
- Facilitates ADA compliance

INCLUDES

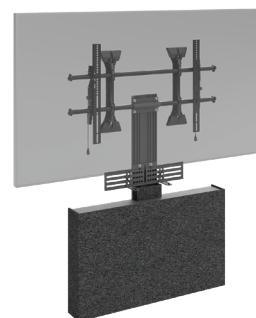
- Fully assembled storage cabinet
- Universal video bar mount
- Acoustic felt front cover
- Acoustic felt cable channel
- Rackmount brackets allowing easy integration of 19" rackmount equipment
- Lever Lock™ panel that allows toolless integration of small AV devices.
- Integrated security

FUSION STORAGE CABINET

SPECIFICATIONS

Part Number	FCASTC
Compatible with Fusion mount*	MSM1U, MTM1U, MSA1U, MTA1U, LSM1U, LSA1U, LTM1U, LTA1U, XSM1U, XTM1U, KITXWSM1U
For typical screen size	50" - 86"
Cabinet weight capacity	66 lbs / 30 kg
Camera mount weight capacity	15 lbs / 6.8 kg
Cabinet height adjust range	Freely position during installation
Color	Black with charcoal grey felt cover

*Fusion mount not included



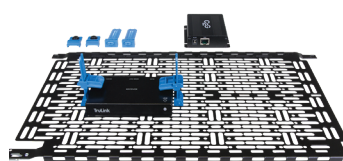
ACCESSORIES



Cable Channel

Fusion Cable Channel accessory (up to 43" / 110 cm) for cable management to the floor or ceiling.

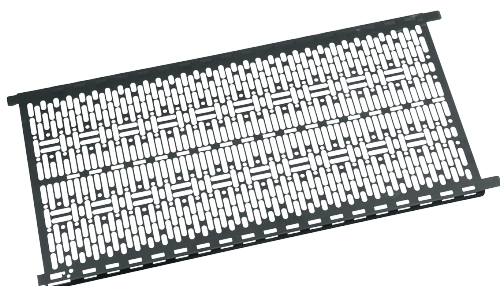
Part Number	Description
FCAFCC	Fusion Cable Channel Assesory



Forward Compatible

Middle Atlantic Forward® small device mounting clips and cable management.

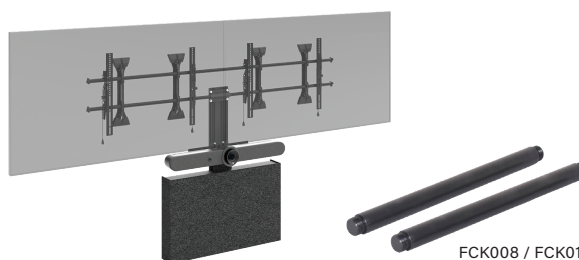
Part Number	Description
FWD-SIDECLMP-60	Small Device Mounting clips
FWD-TSW-48	Forward Hook & Loop Tie Saddles
TW12	Cable Management Strap



Additional Lever Lock™ Panel

Lever Lock™ panel that allows toolless integration of small AV devices.

Part Number	Description
LL-VP2110	Lever Lock™ panel



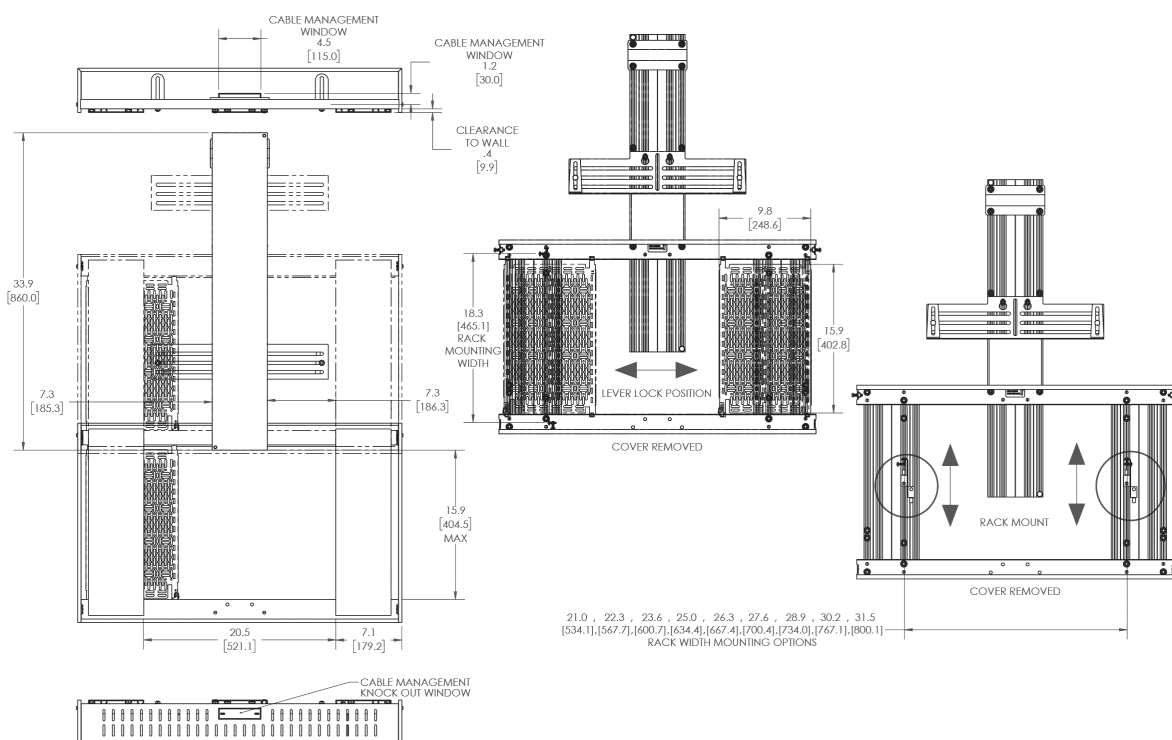
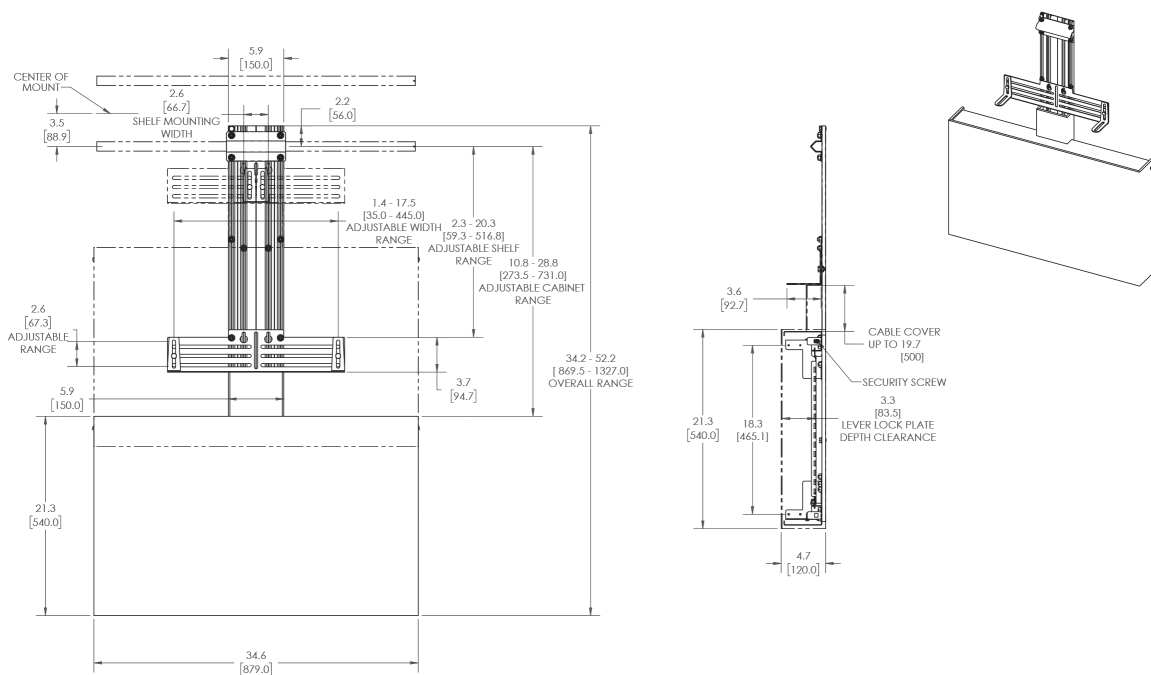
Dual Display Option

Use the FCK008 and FCK016 to connect multiple Fusion® mounts together. Hang the storage cabinet in the middle of two mounts.

Part Number	Description
FCK008	Fusion® Connector Kit - 8 Inch
FCK016	Fusion® Connector Kit - 16 Inch

FUSION STORAGE CABINET

TECH DRAWINGS





LEGRAND | AV COMMERCIAL BRANDS

C2G | Chief | Da-Lite | Luxul | Middle Atlantic | Vaddio | Wiremold

INSTALLER INSPIRED | legrandav.com

USA 866.977.3901 av.chief.support@legrand.com CANADA 877.345.4329 av.chief.canada@legrand.com
EMEA +31 495 580 840 av.emea.sales@legrand.com APAC +852 2145 4099 av.asia.sales@legrand.com

©2024 Legrand AV Inc. 240310 Rev A 6/24 Chief is a registered trademark of Legrand AV Inc. All other brand names or marks are used for identification purposes and are trademarks of their respective owners. All patents are protected under existing designations. Other patents pending.