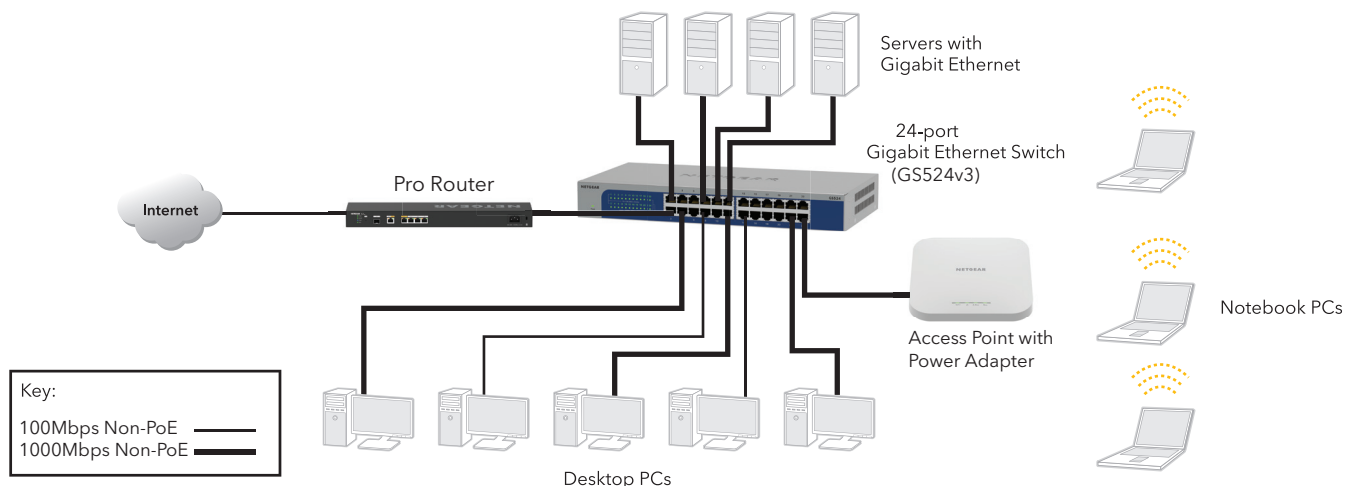


Take Gigabit to the Desktop

Features and Highlights

- 16 or 24 ports deliver up to 2000Mbps of dedicated, non-blocking bandwidth per port
- Instant Plug-N-Play connectivity with Auto-negotiation and Auto MDI/MDI-X
- Easily combine new or existing 10-, 100- and 1000Mbps devices within your network
- 802.1p QoS support for prioritizing voice and video in the network
- Jumbo Frame Support up to 9KB
- Fast, auto-switching and auto-sensing 10/100/1000Mbps Ethernet connection
- 16 or 24 switched ports provide bandwidth for PCs, servers or switches
- Auto Uplink™ automatically adjusts for straight-through or crossover cables
- Plug and play—begins working as soon as it is powered on
- Compact size for desktop, wall mount or rack mount in a standard 19-inch rack
- Secure, durable metal housing includes a Kensington locking slot for theft prevention
- Backed by a NETGEAR Limited Lifetime* Warranty
- Honors TOS/802.1p prioritization
- Up to 50% lower power consumption**
- Auto power-down mode saves energy when port is unused
- Auto green mode detects cable length and adjusts power usage to save energy
- Auto green mode detects cable length and adjusts power usage to save energy
- Packaging manufactured with at least 80% recycled materials



Technical Specifications

| Network Ports | GS516v3 | GS524v3 |
|--|--|---|
| Multicast Groups | 16 10/100/1000Mbps Ethernet RJ-45 ports | 24 10/100/1000Mbps Ethernet RJ-45 ports |
| Performance Specifications | | |
| Switching bandwidth | 32Gbps | 48Gbps |
| Forwarding Rate | 10 Mbps port: 14,880 frames/sec 100 Mbps port: 148,800 frames/sec 1000 Mbps port: 1,488,000 frames/sec | |
| Latency (using 64 byte packets) | 10Mbps: 35µs (max) 100Mbps: 30µs (max) 1000Mbps: 15µs (max) | |
| RAM buffer | 512.5KB | |
| MAC address database | 8K | |
| Mean time between failures (MTBF) | 1,397,962 hrs | 1,016,877 hrs |
| Power Consumption | 10W max | 12W max |
| Power Cord | 100-240V; 50-60Hz; plug is localized to country of sale | |
| Jumbo Frame Support | up to 9KB | |
| Standards Compliance | | |
| IEEE 802.3i 10BASE-T Ethernet | IEEE 802.3x flow control | |
| IEEE 802.3u 100BASE-TX Fast Ethernet | IEEE 802.3 CAMA/CD | |
| IEEE 802.3ab 1000BASE-T Gigabit Ethernet | IEEE 802.3az Energy Efficient Ethernet | |
| Status LEDs | | |
| Unit | Power | |
| Per network port | Link/Activity, Speed | |
| Physical Specifications | | |
| Dimensions (w x d x h) | 328 x 169 x 43mm (12.9 x 6.7 x 1.7in) | |
| Weight | 1.49kg (3.3lb) | 1.47kg (3.24lb) |
| Environmental Specifications | | |
| Operating temperature | 32° to 122°F (0° to 50°C) | |
| Operating humidity | 90% maximum relative humidity, non-condensing | |
| Storage temperature | -4° to 158°F (-20° to 70°C) | |
| Storage humidity | 95% maximum relative humidity | |

Technical Specifications

| | |
|---|--|
| Electromagnetic Emissions | |
| Certifications | CE Class A (EN55032+EN55035) UKCA Class A FCC Part 15 Class A ISED Class A VCCI Class A RCM KC BSMI |
| Safety Agency Approvals | |
| Certifications | CB (IEC 62368-1) CSA (UL/CSA 62368-1) CE (EN 62368-1) UKCA RCM BSMI |
| System Requirements | |
| | UTP Category 5 cables or better Network software (e.g., Windows [®] , Mac [®] OS, Linux) |
| Warranty | |
| | NETGEAR Limited Lifetime* Warranty |
| ProSupport Service Packs Available | |
| OnCall 24x7, Category 1 | PMB0331-100 (US) PMB0331 (non-US) |
| Package Contents | |
| All models | 16- or 24-port Gigabit Ethernet Switch (GS516v3 or GS524v3) Power cord Installation guide Wall/Rackmount kit Warranty/support information card |

Ordering Information

GS516

| | |
|--------------|-----------------------------------|
| GS516-300NAS | North America |
| GS516-300EUS | Europe |
| GS516-300AUS | Australia |
| GS516-300JPS | Japan |
| GS516-300KOS | South Korea |
| GS516-300PES | Other Asia |
| GS516-300PRS | China |
| GS516-300TWS | Taiwan |
| GS516-300UKS | Hong Kong, Singapore, Middle East |

GS524

| | |
|--------------|-----------------------------------|
| GS524-300NAS | North America |
| GS524-300EUS | Europe |
| GS524-300UKS | Hong Kong, Singapore, Middle East |
| GS524-300AUS | Australia |
| GS524-300JPS | Japan |
| GS524-300KOS | South Korea |
| GS524-300TWS | Taiwan |

* This product comes with a limited warranty that is valid only if purchased from a NETGEAR authorized reseller, and covers unmodified hardware, fans and internal power supplies - not software or external power supplies, and requires product registration at <https://www.netgear.com/business/registration> within 90 days of purchase; see <https://www.netgear.com/about/warranty> for details. Intended for indoor use only.

** Maximum power savings when compared to previous version of this NETGEAR product.

NETGEAR, the NETGEAR Logo, and NETGEAR Insight are trademarks of NETGEAR, Inc. in the United States and/or other countries. Other brand names mentioned herein are for identification purposes only and may be trademarks of their respective holder(s).

NETGEAR, Inc. 350 E. Plumeria Drive, San Jose, CA 95134-1911 USA, 1-888-NETGEAR (638-4327), E-mail: info@NETGEAR.com, www.NETGEAR.com