

Yealink WH64 DECT Hybrid Wireless Headset

The WH64 is a wireless headset for business communication. It integrates DECT and Bluetooth modes, offering efficiency and flexibility. Its advanced acoustic shield technology 2.0 filter out background noise for clear sound transmission. The busylight signals your call status to avoid interruptions. Ergonomically designed for an all-day comfortable wearing experience. With high-quality materials and a lightweight build, it provides a solid experience. It connects seamlessly with IP phones and UC platforms for plug-and-play and device switching. Ideal for clear conversations and smooth office experiences.



DECT & Bluetooth Hybrid Wireless Technology



Acoustic Shield Technology 2.0



Plug & Play for Mainstream IP Phones



Multiple Devices Connection



All-day-wearing Comfort



Hybrid Visual Busylight



Up to 32 hours Talking Time



Compatible with mainstream UC platforms



WH64 Dual

WH64 Mono

DECT & Bluetooth Hybrid Wireless Technology

Yealink's WH64 headset integrates both DECT and Bluetooth signal modes, enabling flexible signal switching without a base. Whether you're in a busy office or working remotely, this headset ensures clear and professional conversations.

Multiple Devices Plug & Play

The base is equipped with multiple USB ports, allowing simultaneous connections to a computer and an IP phone. Seamlessly connect with popular IP phones and collaborate effortlessly with leading UC platforms by using a USB cable for plug-and-play, efficient connectivity. Native integration with Yealink IP phones enable smooth device switching, delivering a professional unified office experience.

Acoustic Shield Technology 2.0

WH64 incorporates Yealink's acoustic shield 2.0 technology, utilizing three built-in microphones to automatically block background noise and ensure clear communication. This advanced feature eliminates interference from various sources, allowing effective communication in busy offices or noisy open work environments.

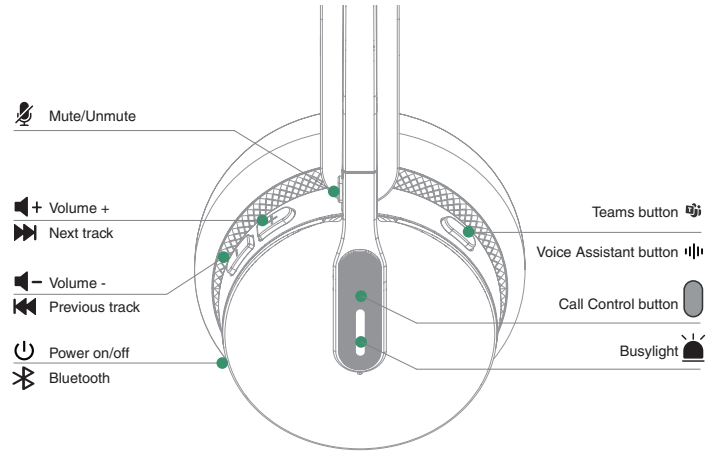
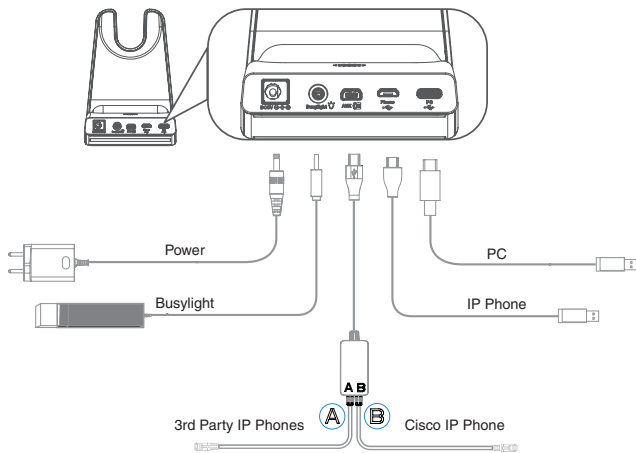
All-Day-Wearing Comfort

WH64 is designed to meet the highest ergonomic standards, offering optimal support and comfort for extended use. Its lightweight design and carefully selected materials provide durability and stability.

Hybrid Visual Busylight

The WH64 headset features a dual-sided busylight and the option to add an external BLT60 light, providing practicality in office settings. WH64 enables clear understanding of your work status by displaying it with different colors, preventing unintended interruptions during work.

How To



Specification

General

- Port
 - 1 micro USB 2.0 port
 - 1 Type-C USB 2.0 port
 - 1 Mini USB port
 - 1 DC power port
 - 1 busylight port
 - 1 Type-C USB 2.0(on headset)
- Charging stand (for headset)
- USB connectivity to PC and IP phone
- Boom arm adjustable: 280°
- Integrated busylight LED indicator
- WH64 Mono
 - Base:180g
 - Headset: 92 g
- WH64 Dual:
 - Base: 180g
 - Headset: 151 g

Battery

- Talk time:
 - Dect mode: up to 14 hours (Mono), up to 16 hours (Dual) ;
 - Bluetooth mode: up to 26 hours (Mono), up to 32 hours (Dual)

- Music time:
 - Dect mode: up to 14 hours (Mono), up to 17 hours (Dual)
 - Bluetooth mode: up to 41 hours (Mono), up to 48 hours (Dual)
- Standby time: 157 hours (Mono), 195 hours (Dual)
- Charging time: 1.5 hours (5 V/1.2 A)

DECT

- Wireless range: up to 150 m/492 feet
- Frequency bands:
 - 1880 – 1900 MHz (Europe),
 - 1920 – 1930 MHz (US)
- Secure DECT (level):
 - Step C: authentication
 - DSAA2, encryption
 - DSC2 (128 bit)

Bluetooth

- Bluetooth® device
- Bluetooth version: Bluetooth5.2
- Bluetooth profiles: HFP v1.8, A2DP v1.3.2, AVRCP v1.6.2, SPP v1.2
- Operating range: up to 50m/164 feet

Audio

- Hearing protection: Peak Block protection (EN50332),

Australian G616 Protection(AU G616), Daily Noise Exposure Protection

- Microphone type: 3 microphones MEMS
- Speaker size: Φ 30
- Speaker frequency range: 20 Hz-20 kHz
- Talk mode: wideband, 100 Hz-8 kHz, 16 kHz sample rate
- Music mode: 20 Hz-20 kHz, 48 kHz sample rate, Stereo (Stereo only supported by Dual headset)

Call Control

- Answer/End/Reject a call
- Hold/Unhold call
- Volume up/down
- Microphone mute
- Move the microphone boom arm up to mute, or do wn to unmute

Package Feature

- Optional accessories:
 - Wireless Headset Adapter EHS62
 - Telephone cable for WH64/WH65/WH68
 - Busylight BLT60

About Yealink

Yealink (Stock Code: 300628) is a global-leading provider of Unified Communication & Collaboration Solutions specialized in video conferencing, voice communications, and collaboration, dedicated to helping every person and organization embrace the power of "Easy Collaboration, High Productivity".

With best-in-class quality, innovative technology, and user-friendly experiences, Yealink is one of the best providers in more than 140 countries and regions, ranks No.1 in the global market share of IP Phone, and is the Top 5 leader in the video conferencing market (Frost & Sullivan, 2021).

For more information about Yealink, click [here](#).

Copyright

Copyright © 2024 YEALINK(XIAMEN) NETWORK TECHNOLOGY CO., LTD.

All rights reserved. No parts of this publication may be reproduced or transmitted in any form or by any means, electronic or mechanical, photocopying, recording, or otherwise, for any purpose, without the express written permission of Yealink(Xiamen) Network Technology CO., LTD.

Technical Support

Visit Yealink WIKI (<http://support.yealink.com/>) for firmware downloads, product documents, FAQ, and more. For better service, we sincerely recommend you to use Yealink Ticketing system (<https://ticket.yealink.com>) to submit all your technical issues.

