



# **MAG Series**

## **PC Case**

MAG FORGE 320R AIRFLOW

MAG FORGE 120A AIRFLOW

User Guide

# Contents

|                                      |    |
|--------------------------------------|----|
| Specifications.....                  | 3  |
| Accessories.....                     | 5  |
| Case Features (320R) .....           | 6  |
| Case Features (120A).....            | 7  |
| Side and Front View .....            | 8  |
| I/O and Buttons (320R).....          | 9  |
| I/O and Buttons (120A).....          | 10 |
| Side Panel Removal.....              | 11 |
| Front Bezel Removal .....            | 12 |
| Motherboard Installation.....        | 13 |
| Graphics Card Installation.....      | 14 |
| SSD & HDD Installation (320R).....   | 15 |
| SSD & HDD Installation (120A).....   | 16 |
| PSU Installation .....               | 17 |
| Top Panel I/O Connection .....       | 18 |
| Control Board Connection (320R)..... | 19 |
| Control Board Connection (120A)..... | 21 |
| General Information .....            | 22 |

# Specifications

## Comparison of Key Differences

|                             |   |  |
|-----------------------------|---|--|
| <b>Product Name</b>         | MAG FORGE 320R AIRFLOW  | MAG FORGE 120A AIRFLOW   |
| <b>Dimensions (DxWxH)</b>   | 472.5 x 210 x 498 mm  | 411.6 x 210 x 498 mm   |
| <b>Top Radiator Support</b> | 120 / 140 / 240 / 280 / 360 mm                                    | 120 / 240 mm   |
| <b>Pre-installed Fan</b>    | Top: No<br>Front: 3 x 120mm ARGB fans<br>Rear: 1 x 120mm ARGB fan | Top: 2 x 120mm Auto-<br>RGB fans<br>Front: 3 x 120mm Auto-<br>RGB fans<br>Rear: 1 x 120mm Auto-<br>RGB fan |
| <b>Side Fans Support</b>    | 2 x 120mm   | No   |
| <b>Maximum GPU Length</b>   | 390mm<br>(Pre-installed front fan)                                | 330mm<br>(Pre-installed front fan)   |
| <b>Drive Bays</b>           | 1 x 2.5" SSD<br>2 x Combo 3.5"/2.5"                               | 3 x 2.5" SSD<br>2 x 3.5" HDD   |
| <b>LED Controller</b>       | LED controller with<br>Mystic Light Sync                          | LED controller<br>(Standalone)   |

## Basic Information

|                                    |                          |
|------------------------------------|--------------------------|
| <b>Case Type</b>                   | Mid Tower                |
| <b>Supported Motherboard Sizes</b> | ATX, Micro-ATX, Mini-ITX |

## Cooling Fan Support

|                   |                        |
|-------------------|------------------------|
| <b>Top</b>        | 3 x 120mm or 2 x 140mm |
| <b>Front</b>      | 3 x 120mm or 2 x 140mm |
| <b>Rear</b>       | 1 x 120mm              |
| <b>PSU Shroud</b> | 2 x 120mm              |

## Expansion Slots

|                   |         |
|-------------------|---------|
| <b>PCIe Slots</b> | 7 slots |
|-------------------|---------|

## I/O Ports and Buttons

|                    |   |
|--------------------|---|
| <b>USB Ports</b>   | 2 x USB 3.2 Gen1 Type-A   |
| <b>Audio Ports</b> | 1 x Audio jack<br>1 x Micphone jack   |
| <b>Buttons</b>     | 1 x Reset button (120A / 320L)<br>1 x Power button<br>1 x LED switch button (120A / 320R) |

## Chassis Clearances






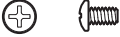
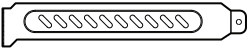
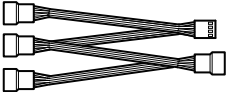
|                                  |   |
|----------------------------------|---|
| <b>Maximum CPU Cooler Height</b> | 160mm   |
| <b>Front Radiator Support</b>    | 120 / 140 / 240 mm  |
| <b>PSU Support</b>               | 160mm (with 3.5" HDD tray)<br>200mm (without 3.5" HDD tray) |

## Materials

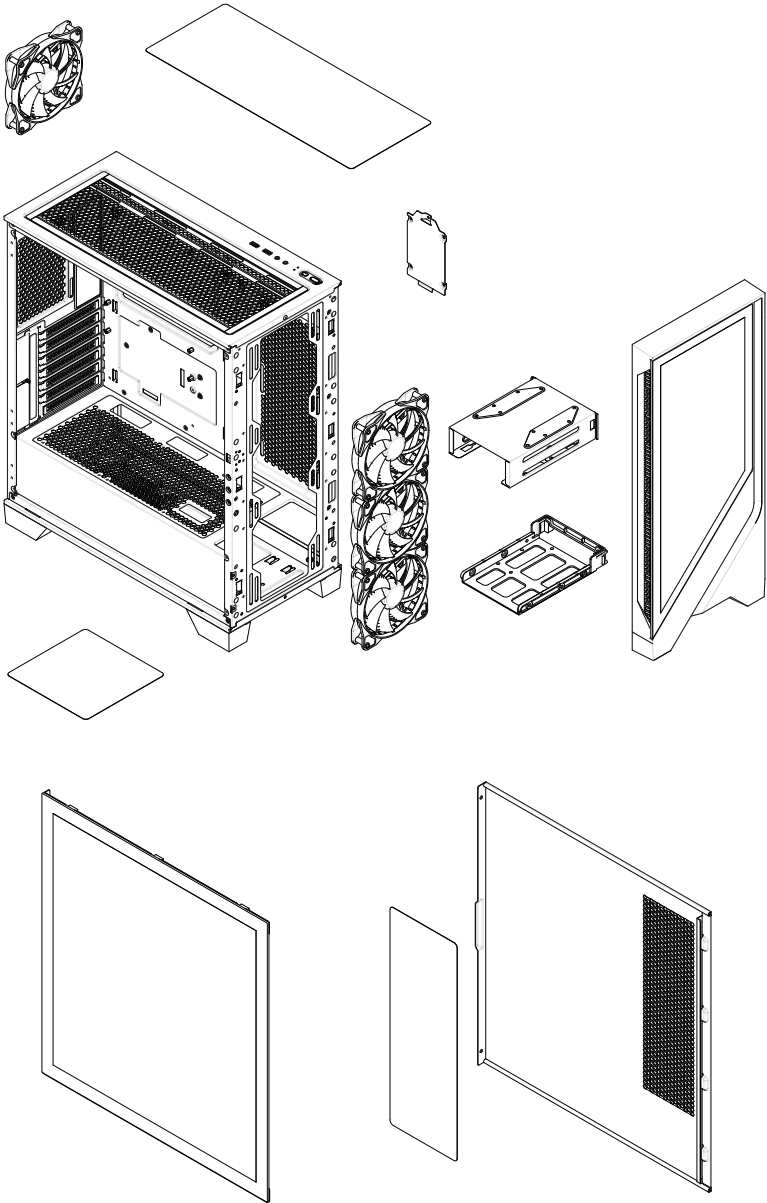
|                             |   |
|-----------------------------|---|
| <b>Metal Specification</b>  | SPCC 0.5  |
| <b>Front Bezel Material</b> | Mesh + Plastic  |
| <b>Left Side Panel</b>      | 4mm tempered glass  |
| <b>Dust Filter</b>          | Top: Magnetic filter<br>Side: Magnetic filter<br>Bottom: Plastic filter |



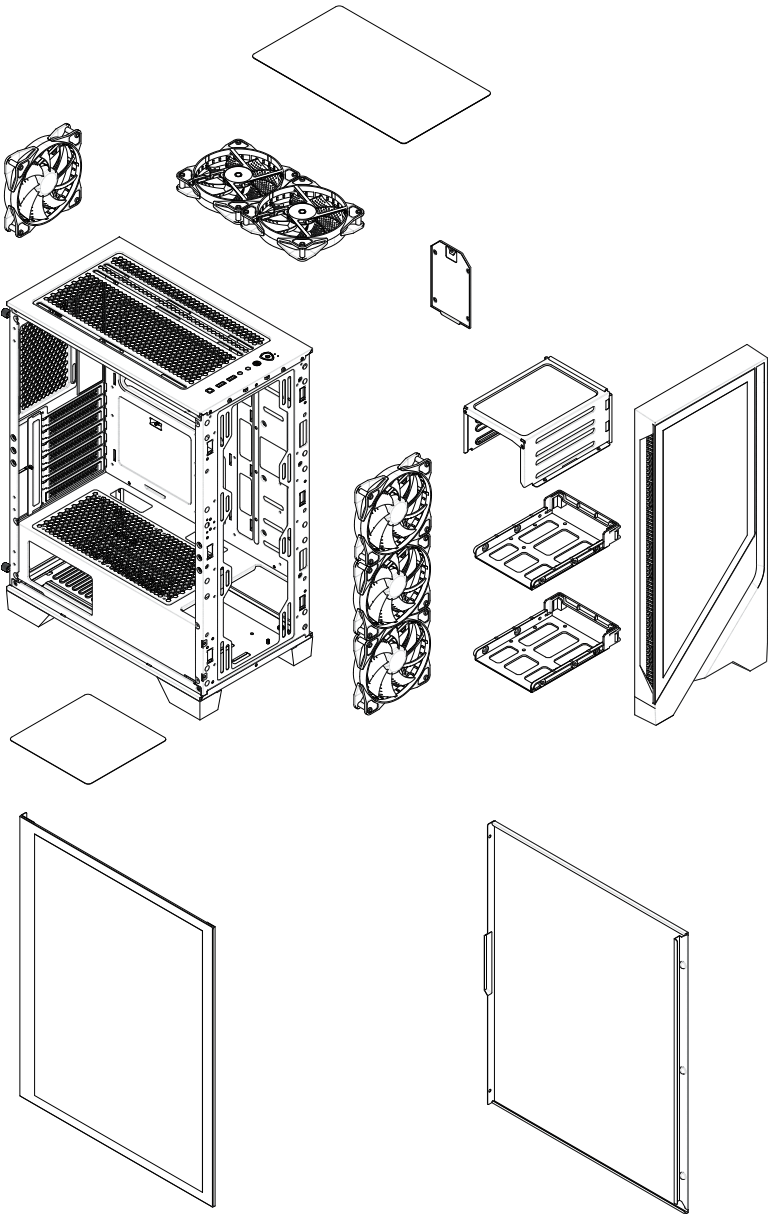
# Accessories

| Item  | Name / Q'ty  | Used for                 |
|---|--|--------------------------|
|    | Cable ties<br>x5                                   | Cable management         |
|    | Screw #6-32 10mm<br>x2                             | Securing drive tray      |
|    | Stand-off #6-32 6.5mm<br>x4                        | Motherboard Stud         |
|    | Screw M3 5mm<br>x20                                | Motherboard / SSD        |
|    | Screw #6-32 6mm<br>x6                              | Securing PSU / PCIe Card |
|   | Screw #6-32 5mm<br>x4                              | 3.5" HDD                 |
|  | PCIe slot cover<br>x2                              | PCIe slot protection     |
|  | 1 to 4 fan splitter cable<br>x1<br>(For 320R only) | Connecting 4 fans        |

# Case Features (320R)

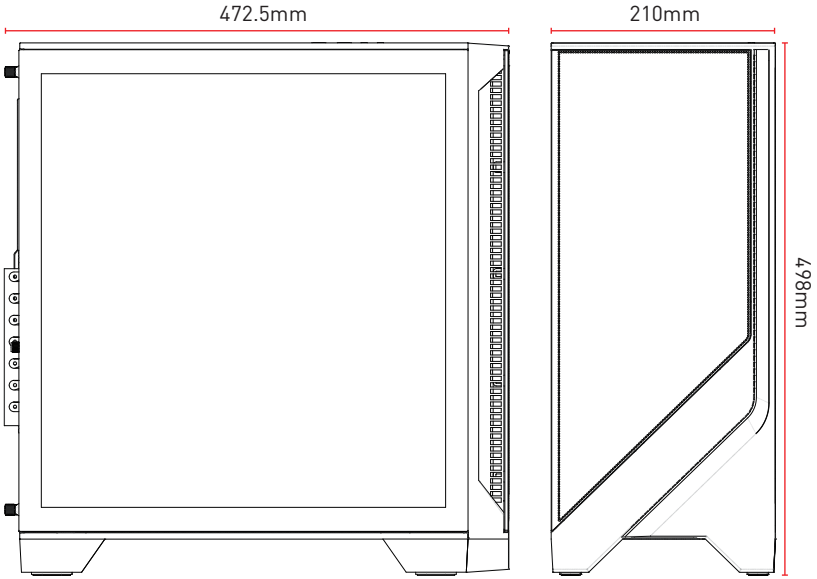


# Case Features (120A)

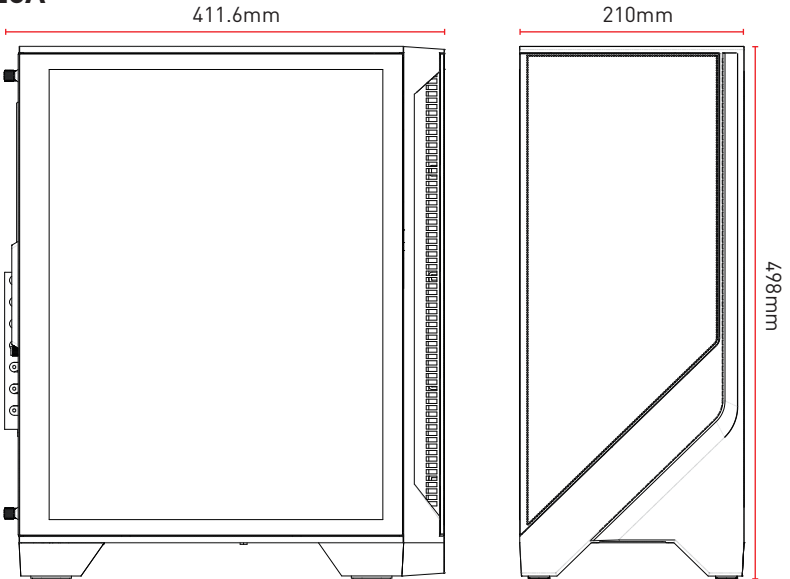


# Side and Front View

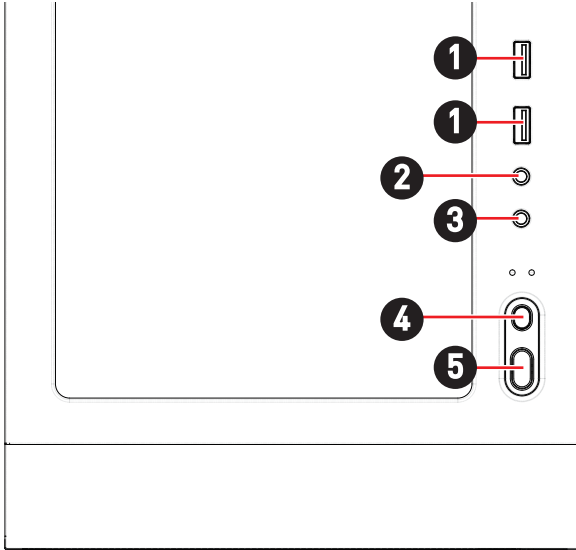
**320R**



**120A**

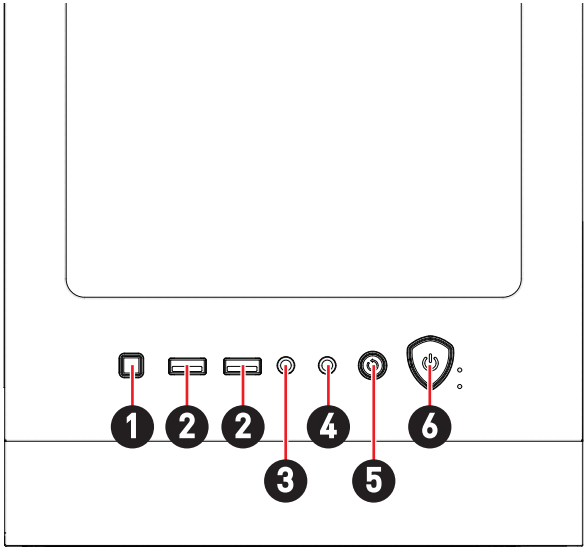


# I/O and Buttons (320R)



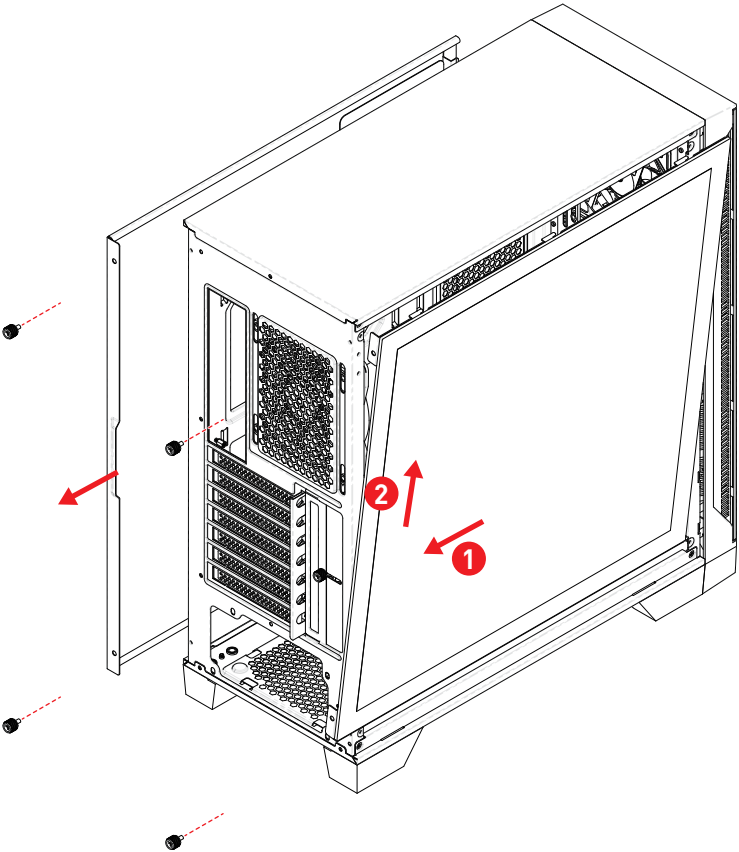
| Item | Description                     |
|------|---------------------------------|
| 1    | USB 3.2 Gen 1 5Gbps Type-A port |
| 2    | Microphone jack                 |
| 3    | Audio jack                      |
| 4    | LED switch button               |
| 5    | Power button                    |

# I/O and Buttons (120A)

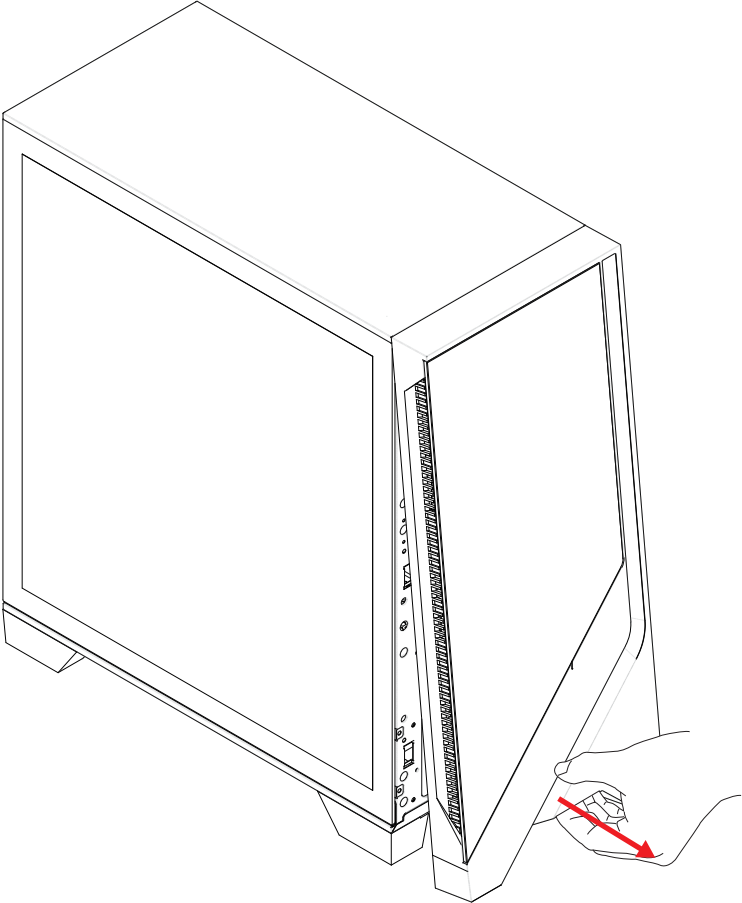


| Item | Description                     |
|------|---------------------------------|
| 1    | LED switch button               |
| 2    | USB 3.2 Gen 1 5Gbps Type-A port |
| 3    | Microphone jack                 |
| 4    | Audio jack                      |
| 5    | Reset button                    |
| 6    | Power button                    |

# Side Panel Removal

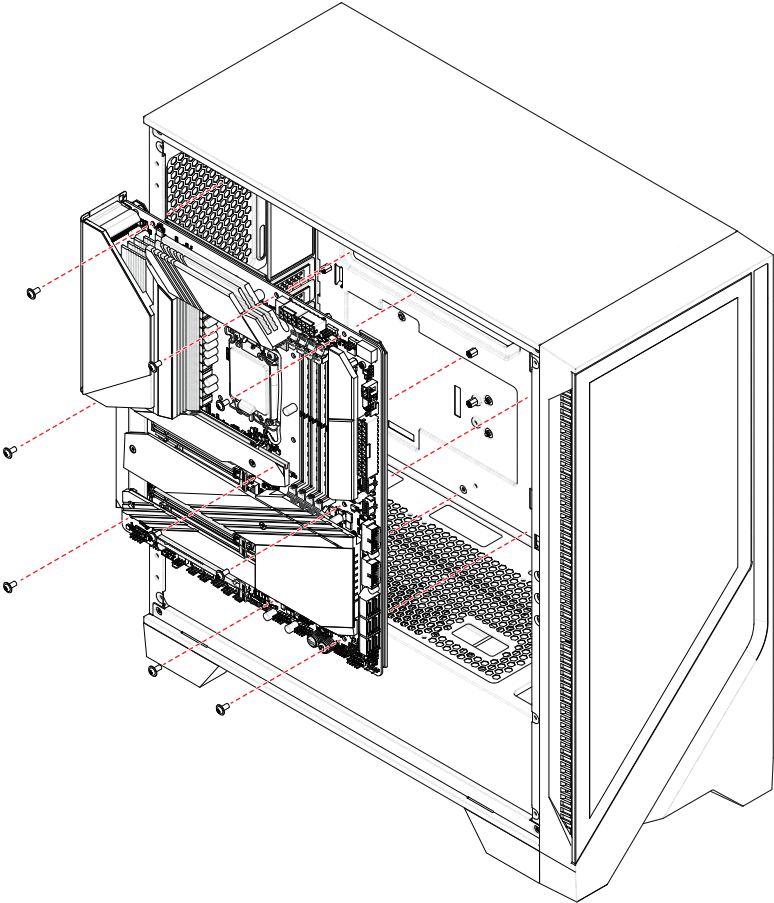


# Front Bezel Removal

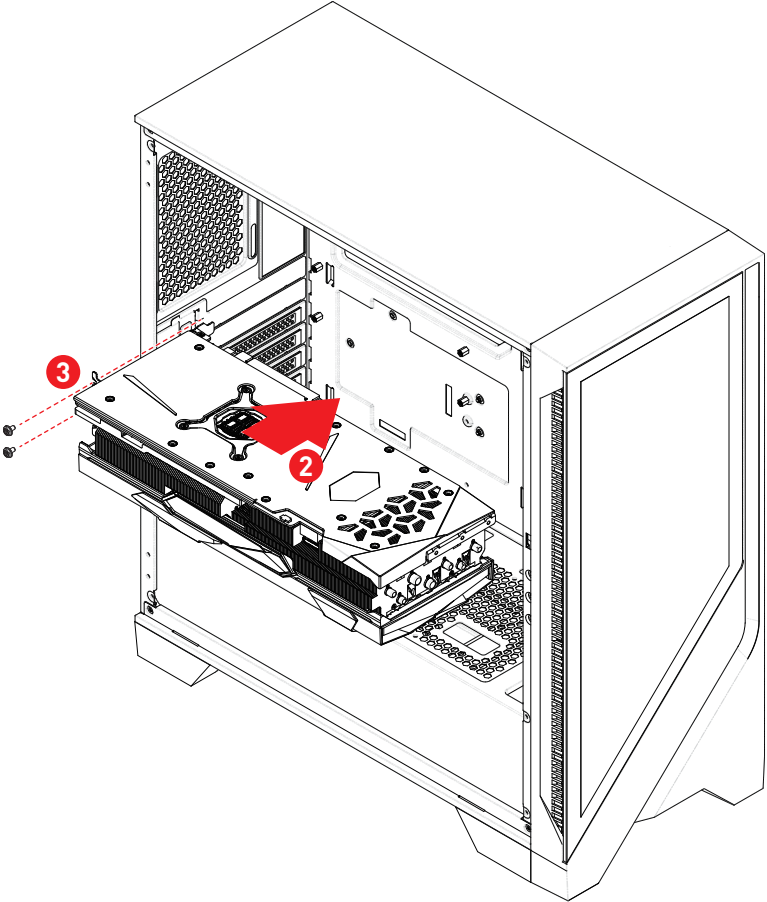
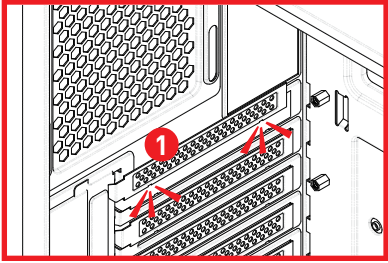




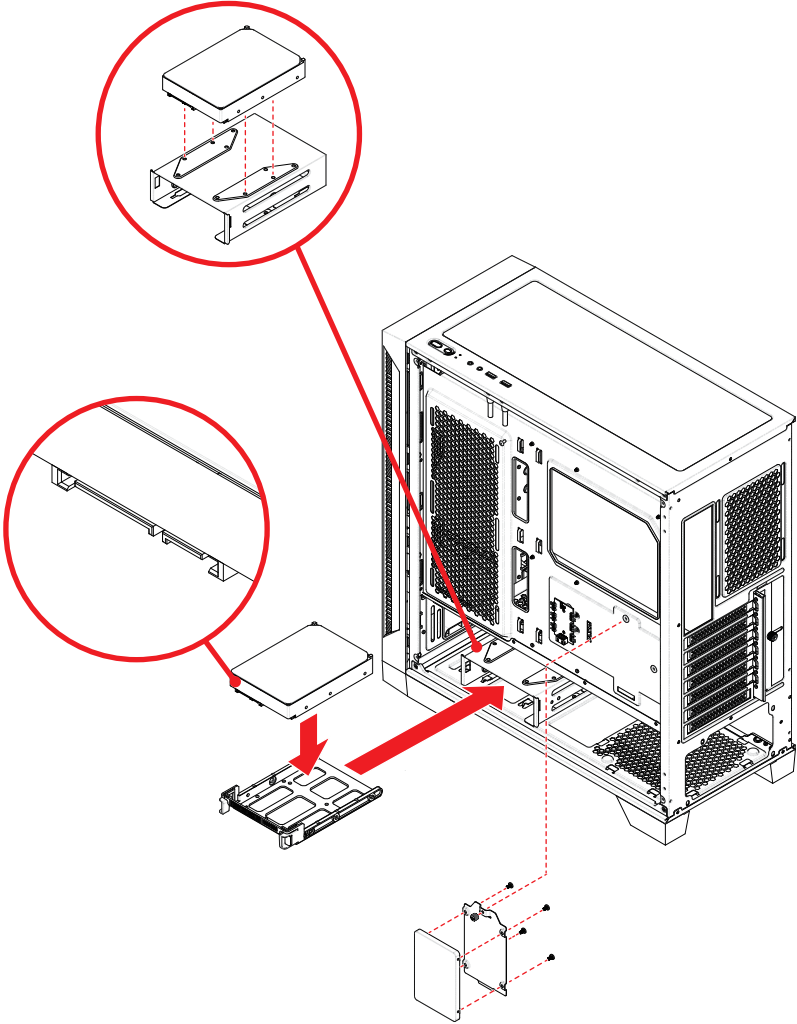
# Motherboard Installation



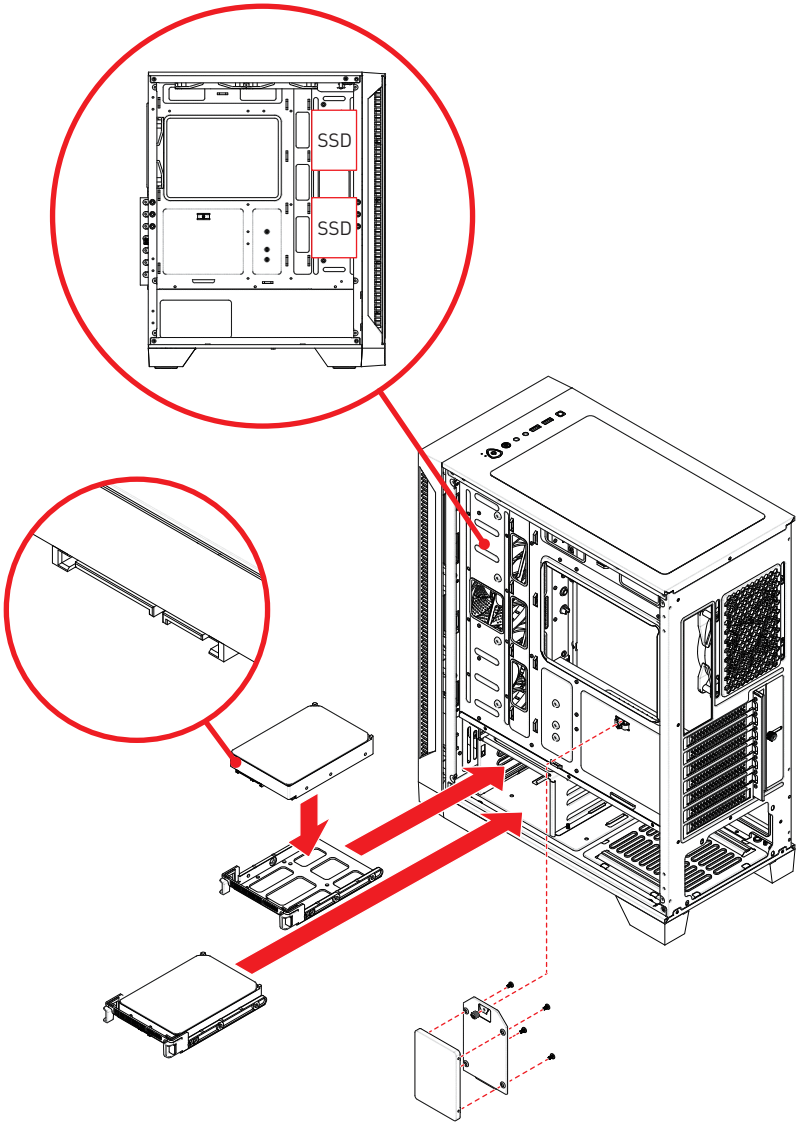
# Graphics Card Installation



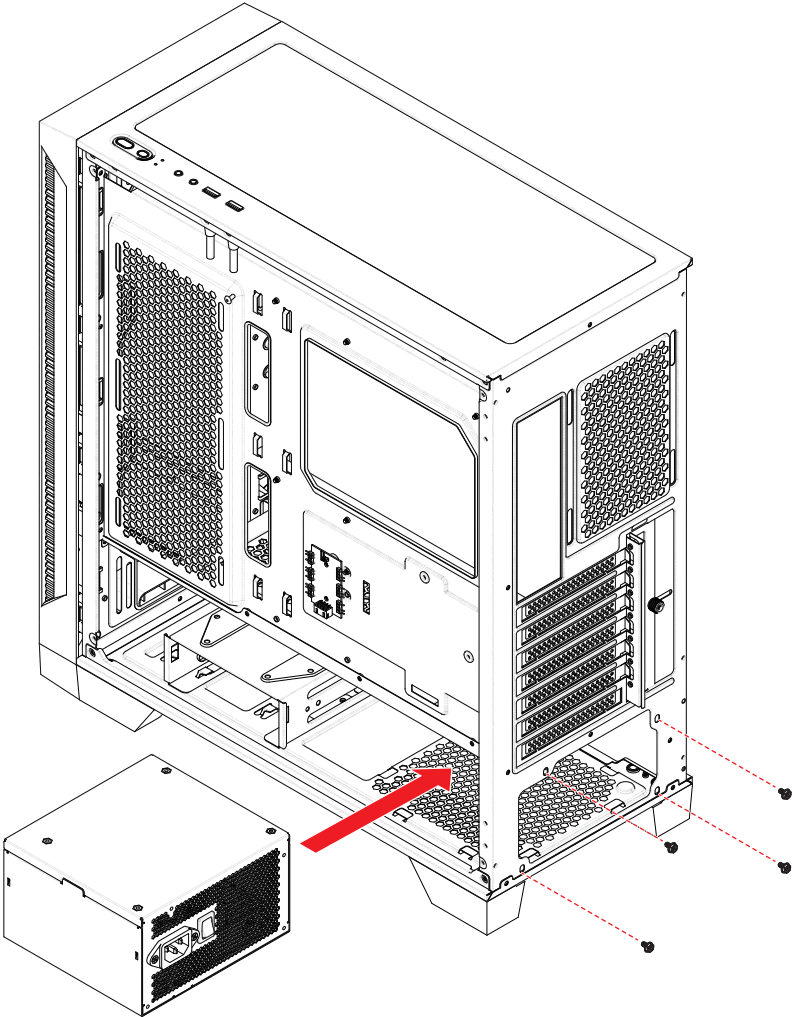
# SSD & HDD Installation (320R)



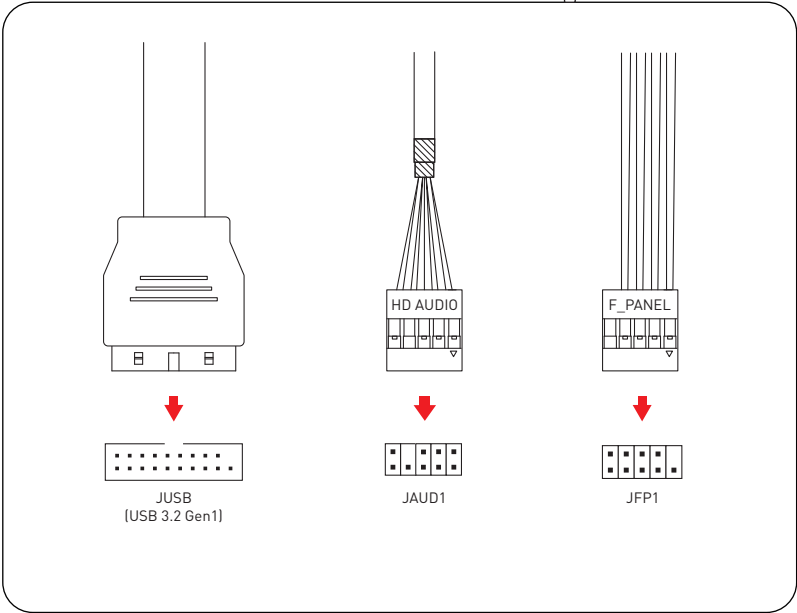
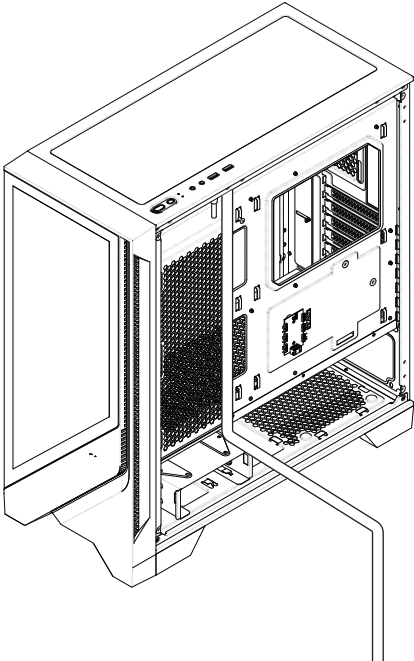
# SSD & HDD Installation (120A)



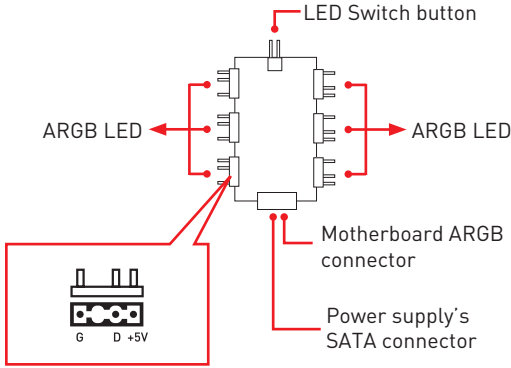
# PSU Installation



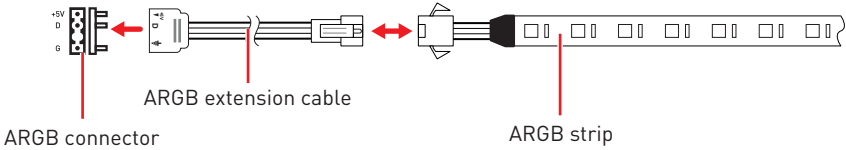
# Top Panel I/O Connection



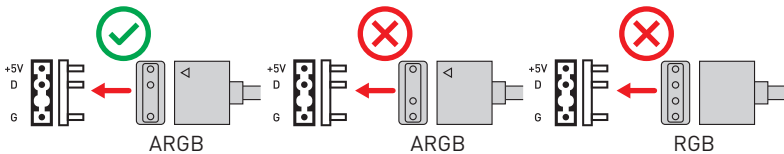
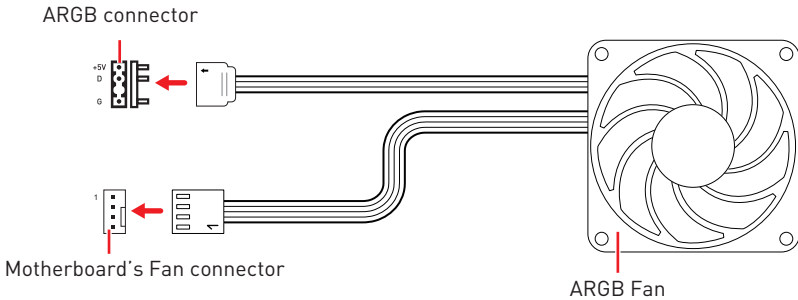
# Control Board Connection (320R)



## Addressable RGB LED Strip Connection



## Addressable RGB LED Fan Connection



## **IMPORTANT**

- Please always turn off the power supply and unplug the power cord from the power outlet before installing or removing the ARGB LED Strip.
- Please ensure all cables are securely connected before powering on.
- This LED Hub can support up to 10 MSI devices or 6 non-MSI devices.
- Each port can support a maximum of 64 ARGB LEDs, with a total of no more than 128 LEDs.
- Exceeding these limits may cause ARGB LEDs to display abnormal colors, flicker, or be unable to change colors.

### **LED Switch Button Function (320R)**

- Single press to toggle between LED effects.
- Long press for three seconds to sync with the motherboard.

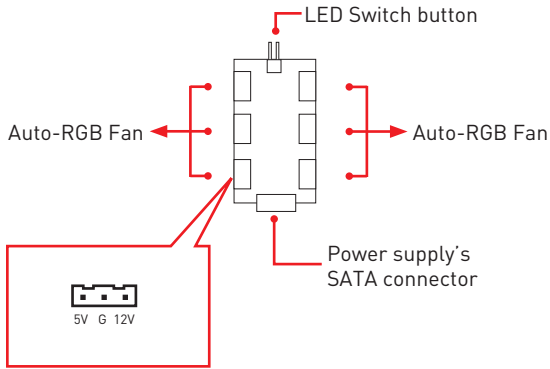
### **LED Effect Sequence (320R)**

After pressing the LED Switch button, the LED effect sequence is as follows:

|    |                                  |
|----|----------------------------------|
| 1  | Solid red                        |
| 2  | Solid green                      |
| 3  | Solid blue                       |
| 4  | Solid purple                     |
| 5  | Solid cyan                       |
| 6  | Solid yellow                     |
| 7  | Solid white                      |
| 8  | Rainbow color cycling            |
| 9  | Color running effect             |
| 10 | Gradient color transition effect |
| 11 | Rainbow color breathing          |
| 12 | Color breathing                  |
| 13 | Rainbow flashing                 |
| 14 | Color flashing                   |



# Control Board Connection (120A)



## **IMPORTANT**

- The control board's fan header is a special specification and is not compatible with standard ARGB and RGB fans.
- Please always turn off the power supply and unplug the power cord from the power outlet before installing or removing the Auto-RGB fan.
- Please ensure all cables are securely connected before powering on.

## **LED Switch Button Function (120A)**

- Single press for RGB rainbow effect.
- Press again to turn off LED lighting.

# General Information

## Copyright and Trademarks Notice

Copyright © Micro-Star Int'l Co., Ltd. All rights reserved.

The MSI logo used is a registered trademark of Micro-Star Int'l Co., Ltd. All other marks and names mentioned may be trademarks of their respective owners. No warranty as to accuracy or completeness is expressed or implied. MSI reserves the right to make changes to this document without prior notice.

All text, images, illustrations, and other content in this manual are the property of MSI. No part of this manual may be reproduced, distributed, or used in any form without the written permission of MSI.

## Revision History

- Version 1.0, 2023/08, First release.
- Version 1.1, 2024/05, Modifying the note for the ARGB LED Hub.

