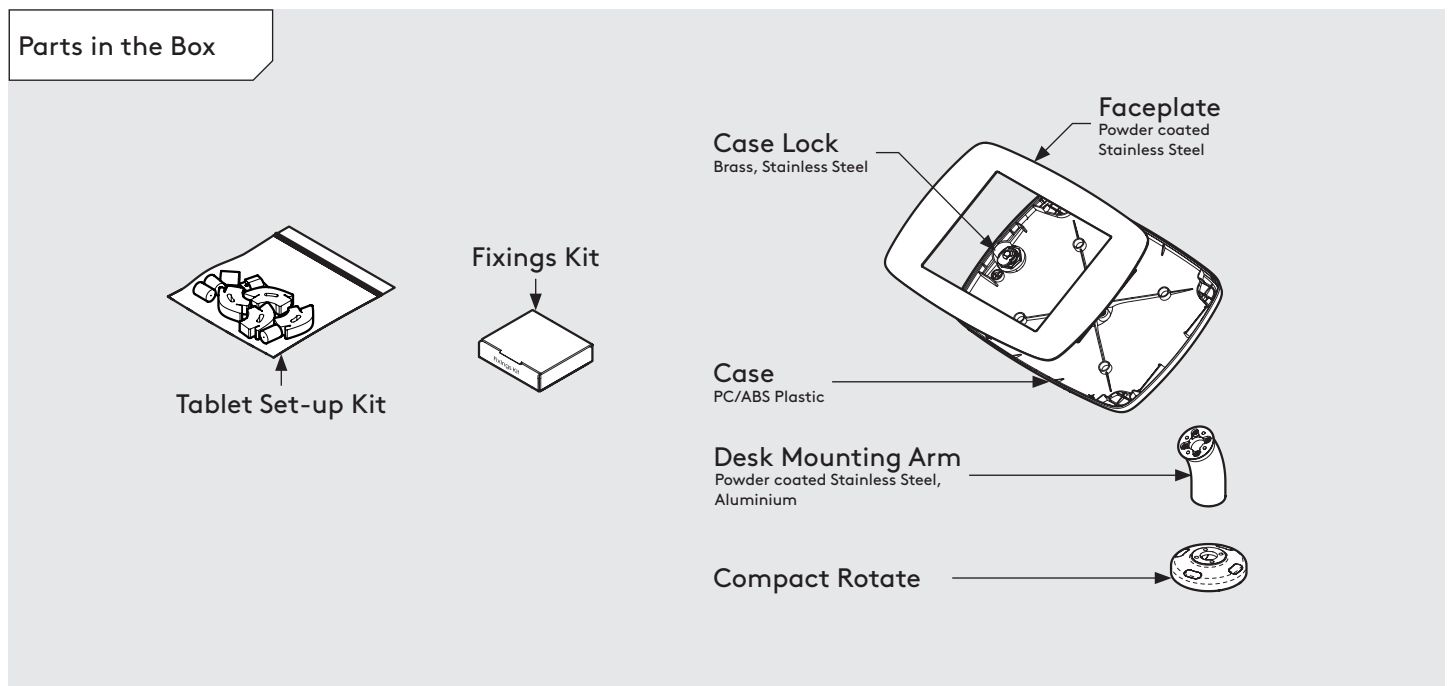
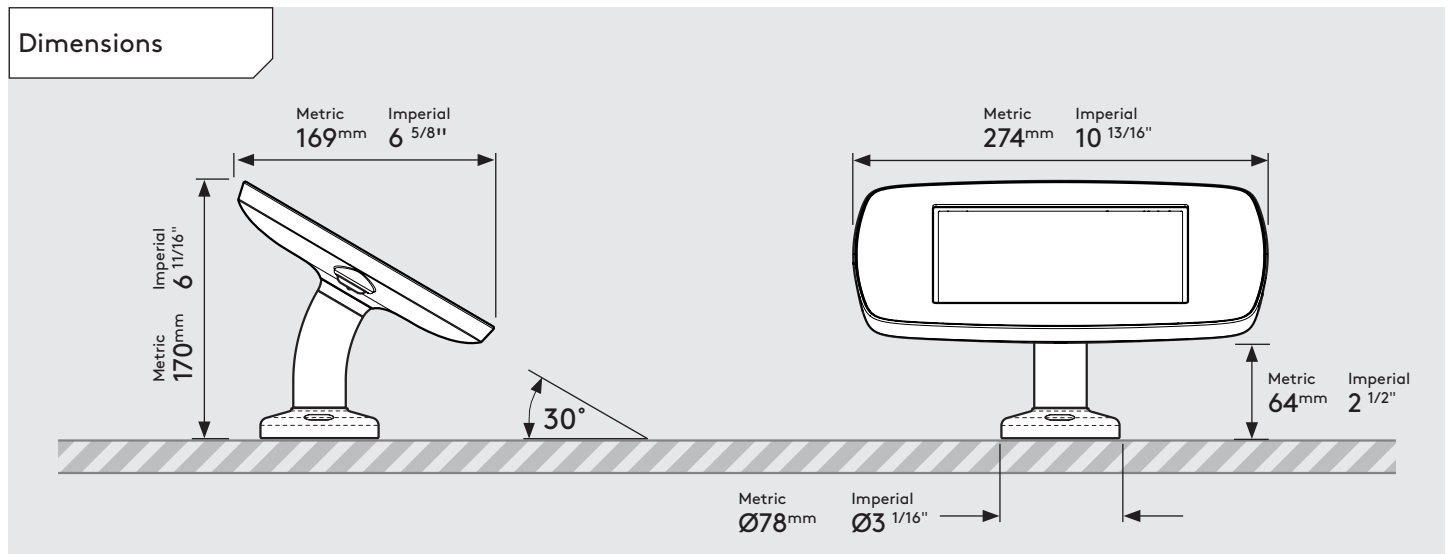


# PRODUCT DATA SHEET - SWIVEL DESK (MINI CASE)

**bouncepad®**

**Case:** Mini    **Arm:** Desk    **Mounting:** Freestanding Base    **Packaged weight:** 3.6kg    **Colour:** White/Black

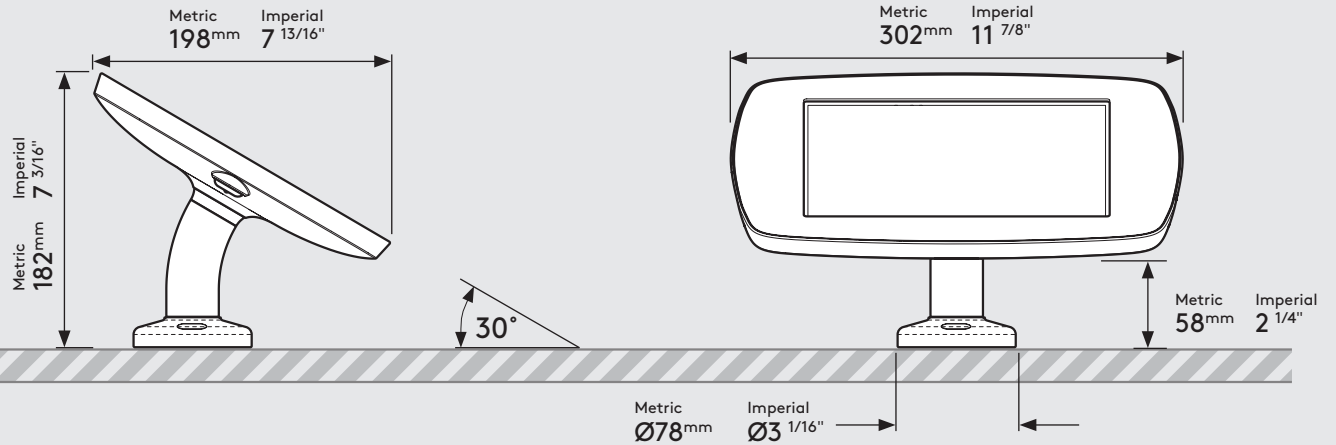


# PRODUCT DATA SHEET - SWIVEL DESK (MIDI CASE)

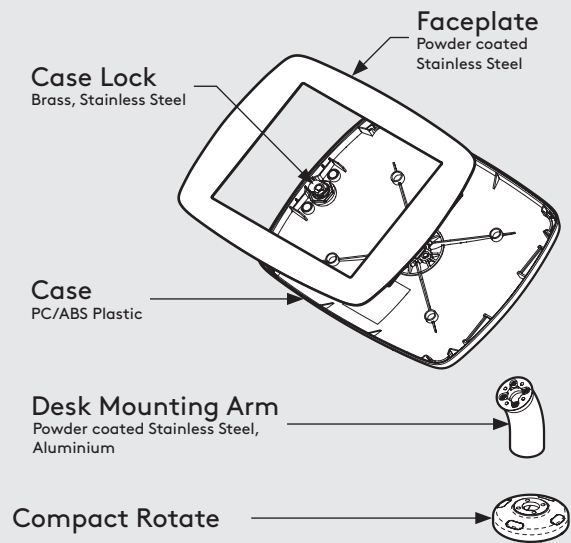
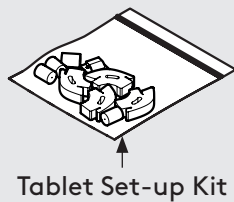
**bouncepad**<sup>®</sup>

**Case:** Midi    **Arm:** Desk    **Mounting:** Freestanding Base    **Packaged weight:** 3.8kg    **Colour:** White  
Black

## Dimensions



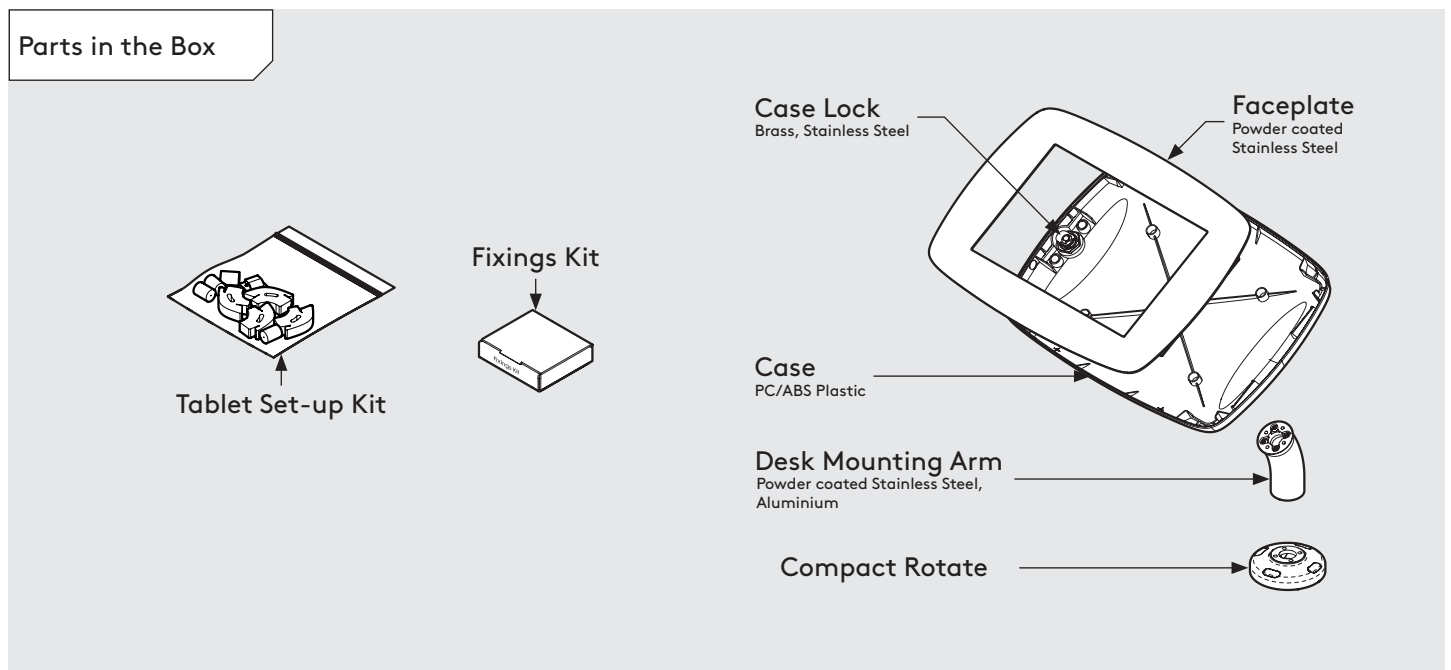
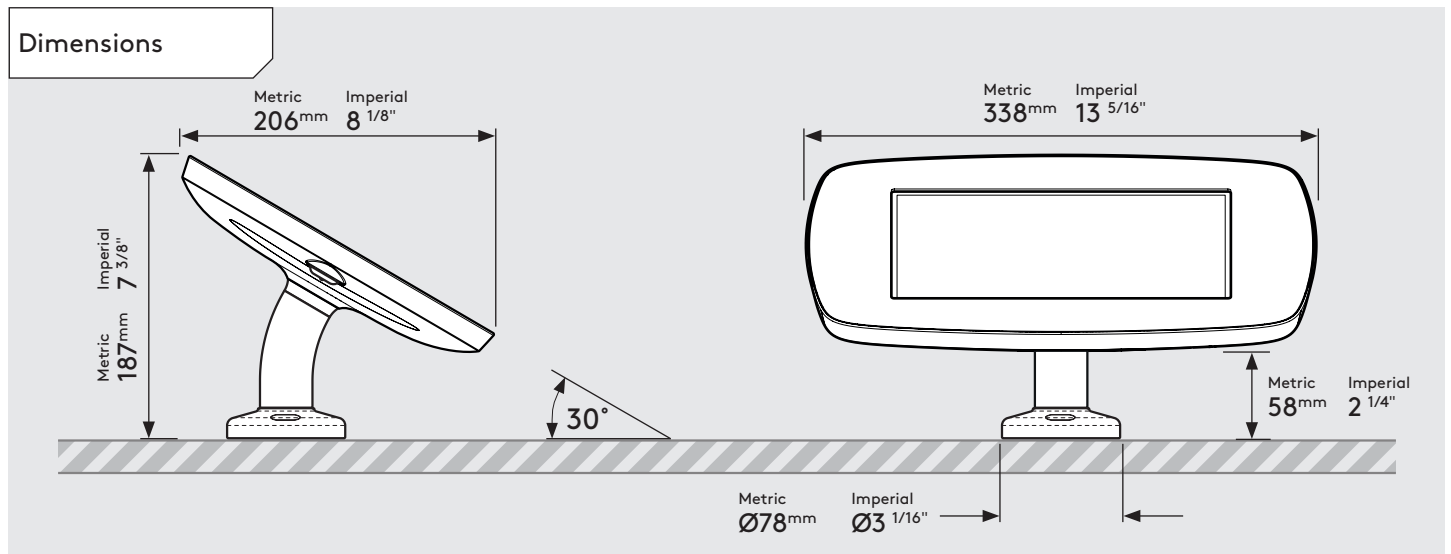
## Parts in the Box



# PRODUCT DATA SHEET - SWIVEL DESK (MAXI CASE)

**bouncepad**<sup>®</sup>

**Case:** Maxi    **Arm:** Desk    **Mounting:** Freestanding Base    **Packaged weight:** 4.0kg    **Colour:** White  
Black



# PRODUCT DATA SHEET - SWIVEL DESK (MEGA CASE)

**bouncepad®**

**Case:** Mega    **Arm:** Desk    **Mounting:** Freestanding Base    **Packaged weight:** 4.3kg    **Colour:** White / Black

