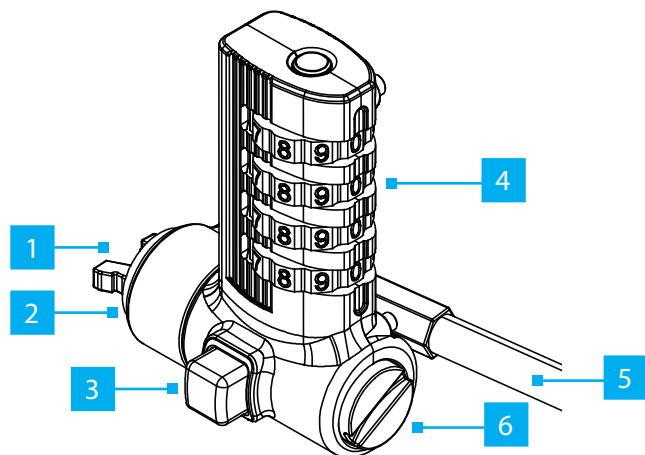


3-in-1 Combination Universal Laptop Cable Lock - 6.6ft (2m)

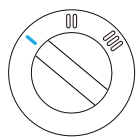
Product ID

UNIVCS-LAPTOP-LOCK

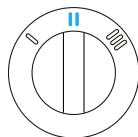


*Product may vary from image

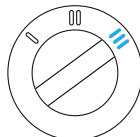
Lock Selection Dial



Noble Wedge® Slot



Nano Slot



K-Slot

	Components	Function
1	Lock Tip	<ul style="list-style-type: none"> Used to connect the Laptop Lock to a compatible Security Slot
2	Lock Spacer	<ul style="list-style-type: none"> Prevents the Lock Head from scratching the Secured Device Note: Attach one of the three Locker Spacers based on the Security Slot requirements
3	Release Button	<ul style="list-style-type: none"> Press and Hold to insert or remove from a Security Slot Note: The locking mechanism must be disengaged before pressing the button

4	Combination Dial	<ul style="list-style-type: none"> Rotate each Row of Numbers until the desired number is aligned at the middle
5	Security Cable	<ul style="list-style-type: none"> Used to secure a Device to a stationary object Pivots 90° and allows to rotate the Lock Head 360° around the ball-joint
6	Lock Selection Dial	<ul style="list-style-type: none"> Use to change the shape of the Lock Tip for different Security Slots Note: The appropriate Lock Tip must be selected before inserting the Lock Tip into a Security Slot Use a Flat-Head Screwdriver or a similar object to rotate the Lock Selection Dial

Requirements

For the latest manuals, product information, technical specifications, and declarations of conformance, please visit: www.startech.com/UNIVCS-LAPTOP-LOCK

- Compatible device with Noble Wedge®, Nano, or K-slot security slots
- Flat-head screwdriver

Package Contents

- Laptop Security Locks x 1
- Hook-and-Loop Strap x 1
- Lock Spacers x 3
- Quick-Start Guide x 1

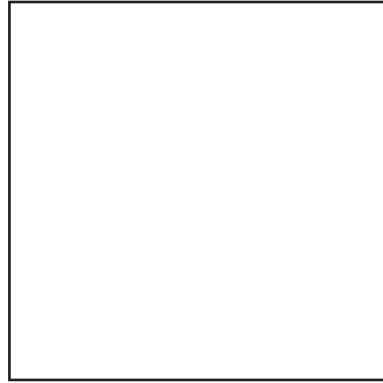
Operation

Preset Combination Code

The Combination Universal Laptop Cable Lock comes with a Pre-set Combination Code shown on the following page. Keep a copy of the Serial Number and Proof of Purchase for your records.

Note: To request your Pre-Set Combination Code visit www.StarTech.com/support and contact us with a copy of the Proof of Purchase and the Serial Number of the Lock.

Keep a copy of this Serial Number, Combination Code, and Proof of Purchase for your records.



Securing a Device

1. Wrap the **Security Cable** around a secure stationary object (i.e., a desk leg or table frame) and pull the **Laptop Lock** through the loop on the **Security Cable**. (Figure 1)

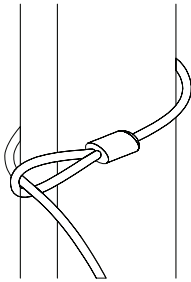


Figure 1

Use of Trademarks, Registered Trademarks, and other Protected Names and Symbols

This manual may make reference to trademarks, registered trademarks, and other protected names and/or symbols of third-party companies not related in any way to StarTech.com. Where they occur these references are for illustrative purposes only and do not represent an endorsement of a product or service by StarTech.com, or an endorsement of the product(s) to which this manual applies by the third-party company in question. StarTech.com hereby acknowledges that all trademarks, registered trademarks, service marks, and other protected names and/or symbols contained in this manual and related documents are the property of their respective holders.

Warranty Information

This product is backed by a two-year warranty.

For further information on product warranty terms and conditions, please refer to www.startech.com/warranty.

Limitation of Liability

In no event shall the liability of StarTech.com Ltd. and StarTech.com USA LLP (or their officers, directors, employees or agents) for any damages (whether direct or indirect, special, punitive, incidental, consequential, or otherwise), loss of profits, loss of business, or any pecuniary loss, arising out of or related to the use of the product exceed the actual price paid for the product. Some states do not allow the exclusion or limitation of incidental or consequential damages. If such laws apply, the limitations or exclusions contained in this statement may not apply to you.

Safety Measures

- Read the entire manual and ensure the instructions are fully understood before assembling and/or using this product.

Mesures de sécurité

- Lisez tout le manuel et assurez-vous que vous comprenez les instructions avant de commencer à assembler et utiliser ce produit.

安全対策

- 最初に取扱説明書を最後まで読み、本製品の組み立て方をすべて理解してから組み立て作業を始めて下さい。

Misure di Sicurezza

- Leggere l'intero manuale e assicurarsi di aver compreso tutte le istruzioni prima di iniziare ad assemblare e a utilizzare

2. **Press and Hold the Release Button** then insert the **Lock Tip** into a compatible **Security Slot**. Let go of the **Release Button**.
3. Scramble the **Combination Dial** to a random combination.

Unlocking a Device

1. Enter the set combination by rotating the **Combination Dial**.
2. **Press and Hold the Release Button**.
3. Pull the **Lock Tip** out of the **Security Slot**. Let go of the **Release Button**.

Install the Lock Spacers

To prevent scratches on the Secured Device and to accommodate variations in the size of the Security Slots, a Lock Spacer is needed.

1. Try each **Lock Spacer** to determine which one provides a better fit between the **Secured Device** and the **Lock Head**.
2. Carefully **remove the Adhesive Backing** from the **Lock Spacer**.
3. Affix the **Lock Spacer** to the **Front** of the **Lock Head** around the **Lock Tip**.
4. Apply pressure for a few seconds to set the **Lock Spacer** in place.

questo prodotto.

Säkerhetsåtgärder

- Läs hela manualen och se till att du förstår instruktionerna innan du börjar montera och använda produkten.

Medidas de Seguridad

- Lea todo el manual y asegúrese de haber comprendido bien las instrucciones antes de proceder con el ensamblaje y el uso de este producto.

Veiligheidsmaatregelen

- Lees de gehele handleiding en zorg dat u de instructies begrijpt voordat u dit product in elkaar zet en gebruikt.

Sicherheitsmaßnahmen

- Lesen Sie das gesamte Handbuch und vergewissern Sie sich, dass Sie die Anweisungen verstanden haben, bevor Sie das Produkt zusammenbauen und benutzen



www.quefairedemesdechets.fr

StarTech.com Ltd.
45 Artisans Crescent
London, Ontario
N5V 5E9
Canada

StarTech.com LLP
4490 South Hamilton
Road
Groveport, Ohio
43125
U.S.A.

StarTech.com Ltd.
Unit B, Pinnacle 15
Gowerton Road
Brackmills,
Northampton
NN4 7BW
United Kingdom

StarTech.com Ltd.
Siriusdreef 17-27
2132 WT Hoofddorp
The Netherlands

FR: startech.com/fr
DE: startech.com/de
ES: startech.com/es
NL: startech.com/nl
IT: startech.com/it
JP: startech.com/jp