

## AXIS P1265 Mk II Modular Pinhole Camera

Complete, extremely discreet pinhole camera delivers full HD resolution

Based on the modular concept, AXIS P1265 Mk II features a tiny, pinhole-sized sensor unit that connects via cable to the main unit, so the two parts can be placed separately from each other. This pinhole sensor unit offers extremely discreet installation. Ideal for a wide range of indoor applications, it's easy to install in tight spaces, for instance, ATMs and ticketing machines. The sensor can be mounted up to 15 m from the main unit and a detachable cable ensures flexible installation and upgrade. Additionally, a deep learning processing unit enables the use of advanced analytics.

- > **Tiny, pinhole-sized sensor unit**
- > **HDTV 1080p with 91° field of view**
- > **Detachable cable up to 15 m**
- > **Support for advanced analytics**
- > **AXIS Object Analytics preinstalled**



# AXIS P1265 Mk II Modular Pinhole Camera

<b>Camera</b>		I/O: manual trigger, virtual input MQTT: subscribe Scheduled and recurring: schedule Video: average bitrate degradation, tampering, video source connected
<b>Image sensor</b>	Pixel size 2.8 µm	
<b>Lens</b>	3.7 mm, F2.5 Horizontal field of view: 91° Vertical field of view: 45° Minimum focus distance: 0.2 m (0.66 ft) M12 mount, fixed iris, pinhole	
<b>Minimum illumination</b>	Color: 0.2 lux at 50 IRE, F2.0	
<b>Shutter speed</b>	1/16500 to 1/5 s	
<b>System on chip (SoC)</b>		
<b>Model</b>	CV25	
<b>Memory</b>	1024 MB RAM, 512 MB Flash	
<b>Compute capabilities</b>	Deep learning processing unit (DLPU)	
<b>Video</b>		
<b>Video compression</b>	H.264 (MPEG-4 Part 10/AVC) Baseline, Main and High Profiles H.265 (MPEG-H Part 2/HEVC) Main Profile Motion JPEG	
<b>Resolution</b>	<b>16:9:</b> 1920x1080 to 640x360 <b>16:10:</b> 1024x640 to 640x400 <b>4:3:</b> 1024x768 to 480x360	
<b>Frame rate</b>	Up to 25/30 fps (50/60 Hz) with H.264 and H.265 <sup>a</sup> in all resolutions	
<b>Video streaming</b>	Multiple, individually configurable streams Axis Zipstream technology in H.264 and H.265 Axis Zipstream technology in H.264 and H.265 Controllable frame rate and bandwidth VBR/ABR/MBR H.264/H.265	
<b>Signal-to-noise ratio</b>	>55 dB	
<b>WDR</b>	WDR - forensic capture	
<b>Multi-view streaming</b>	2 individually cropped out view areas	
<b>Image settings</b>	Saturation, contrast, brightness, sharpness, white balance, , exposure mode, compression, rotation: 0°, 90°, 180°, 270° including corridor format, mirroring, dynamic text and image overlay, polygon privacy mask	
<b>Image processing</b>	Axis Zipstream, WDR - forensic capture	
<b>Audio</b>		
<b>Audio input</b>	Input through portcast technology	
<b>Audio output</b>	Output through portcast technology	
<b>Network</b>		
<b>Network protocols</b>	IPv4, IPv6 USGv6, ICMPv4/ICMPv6, HTTP, HTTPS <sup>b</sup> , HTTP/2, TLS <sup>b</sup> , QoS Layer 3 DiffServ, FTP, SFTP, CIFS/SMB, SMTP, mDNS (Bonjour), UPnP <sup>c</sup> , SNMP v1/v2c/v3 (MIB-II), DNS/DNSv6, DDNS, NTP, NTS, RTSP, RTP, SRTP/RTSPS, TCP, UDP, IGMPv1/v2/v3, RTCP, ICMP, DHCPv4/v6, ARP, SSH, LLDP, CDP, MQTT v3.1.1, Secure syslog (RFC 3164/5424, UDP/TCP/TLS), Link-Local address (ZeroConf), IEEE 802.1X (EAP-TLS), IEEE 802.1AR	
<b>System integration</b>		
<b>Application Programming Interface</b>	Open API for software integration, including VAPIX <sup>®</sup> , metadata and AXIS Camera Application Platform (ACAP); specifications at <a href="https://axis.com/developer-community">axis.com/developer-community</a> . ACAP includes Native SDK. One-click cloud connection ONVIF <sup>®</sup> Profile G, ONVIF <sup>®</sup> Profile M, ONVIF <sup>®</sup> Profile S, and ONVIF <sup>®</sup> Profile T, specifications at <a href="https://onvif.org">onvif.org</a>	
<b>Video management systems</b>	Compatible with AXIS Companion, AXIS Camera Station, video management software from Axis' Application Development Partners available at <a href="https://axis.com/vms">axis.com/vms</a>	
<b>Onscreen controls</b>	Privacy masks Media clip	
<b>Event conditions</b>	Application Device status: IP address blocked, IP address removed, new IP address, network lost, system ready, live stream active Edge storage: recording ongoing, storage disruption, storage health issues detected	
<b>Event actions</b>	LED: flash status LED MQTT: publish Notification: HTTP, HTTPS, TCP and email Overlay text Recordings: SD card and network share SNMP traps: send, send while the rule is active Upload of images or video clips: FTP, SFTP, HTTP, HTTPS, network share and email	
<b>Built-in installation aids</b>	Pixel counter, level grid	
<b>Analytics</b>		
<b>Applications</b>	<b>Included</b> AXIS Object Analytics, Scene metadata, AXIS Video Motion Detection, AXIS Live Privacy Shield <sup>®</sup> Support for AXIS Camera Application Platform enabling installation of third-party applications, see <a href="https://axis.com/acap">axis.com/acap</a>	
<b>AXIS Object Analytics</b>	<b>Object classes:</b> humans, vehicles (types: cars, buses, trucks, bikes) <b>Scenarios:</b> line crossing, object in area, time in area, crossline counting, occupancy in area Up to 10 scenarios <b>Other features:</b> triggered objects visualized with color-coded bounding boxes Polygon include/exclude areas Perspective configuration ONVIF Motion Alarm event	
<b>Scene metadata</b>	<b>Object classes:</b> humans, faces, vehicles (types: cars, buses, trucks, bikes), license plates <b>Object attributes:</b> vehicle color, upper/lower clothing color, confidence, position	
<b>Approvals</b>		
<b>Product markings</b>	CSA, UL/cUL, CE, KC, VCCI, RCM	
<b>Supply chain</b>	TAA compliant	
<b>EMC</b>	CISPR 35, CISPR 32 Class A, EN 55035, EN 55032 Class A, EN 61000-6-1, EN 61000-6-2 <b>Australia/New Zealand:</b> RCM AS/NZS CISPR 32 Class A <b>Canada:</b> ICES-3(A)/NMB-3(A) <b>Japan:</b> VCCI Class A <b>Korea:</b> KS C 9835, KS C 9832 Class A <b>USA:</b> FCC Part 15 Subpart B Class A	
<b>Safety</b>	CAN/CSA C22.2 No. 62368-1 ed. 3, IEC/EN/UL 62368-1 ed. 3	
<b>Environment</b>	IEC 60068-2-1, IEC 60068-2-2, IEC 60068-2-6, IEC 60068-2-14, IEC 60068-2-27, IEC 60068-2-78, IEC/EN 60529 IP3X	
<b>Network</b>	NIST SP500-267	
<b>Cybersecurity</b>	ETSI EN 303 645	
<b>Cybersecurity</b>		
<b>Edge security</b>	<b>Software:</b> Signed firmware, brute force delay protection, digest authentication and OAuth 2.0 RFC6749 OpenID Authorization Code Flow for centralized ADFS account management, password protection <b>Hardware:</b> Axis Edge Vault cybersecurity platform Secure element (CC EAL 6+), system-on-chip security (TEE), Axis device ID, secure keystore, signed video, secure boot, encrypted filesystem (AES-XTS-Plain64 256bit)	
<b>Network security</b>	IEEE 802.1X (EAP-TLS, PEAP-MSCHAPv2) <sup>b</sup> , IEEE 802.1AE (MACsec PSK/EAP-TLS), IEEE 802.1AR, HTTPS/HSTS <sup>b</sup> , TLS v1.2/v1.3 <sup>b</sup> , Network Time Security (NTS), X.509 Certificate PKI, host-based firewall	
<b>Documentation</b>	<i>AXIS OS Hardening Guide</i> <i>Axis Vulnerability Management Policy</i> <i>Axis Security Development Model</i> AXIS OS Software Bill of Material (SBOM) To download documents, go to <a href="https://axis.com/support/cybersecurity/resources">axis.com/support/cybersecurity/resources</a>	

To read more about Axis cybersecurity support, go to [axis.com/cybersecurity](https://axis.com/cybersecurity)

For more accessories, go to [axis.com/products/axis-p1265-mk-ii#accessories](https://axis.com/products/axis-p1265-mk-ii#accessories)

General	
<b>Casing</b>	IP3X-rated Main unit: Steel, plastic Sensor unit: Plastic, aluminum Color: white NCS S 1002-B
<b>Power</b>	Power over Ethernet (PoE) IEEE 802.3af/802.3at Type 1 Class 2 Typical 3.4 W, max 4.1 W
<b>Connectors</b>	Network: RJ45 10BASE-T/100BASE-TX PoE Sensor unit: RJ12
<b>Storage</b>	Support for microSD/microSDHC/microSDXC card Support for SD card encryption (AES-XTS-Plain64 256bit) Recording to network-attached storage (NAS) For SD card and NAS recommendations see <a href="https://axis.com">axis.com</a>
<b>Operating conditions</b>	Temperature: -20 °C to 45 °C (-4 °F to 113 °F) Maximum temperature (intermittent): 60 °C (140 °F) Humidity: 10–85% RH (non-condensing)
<b>Storage conditions</b>	Temperature: -40 °C to 65 °C (-40 °F to 149 °F) Humidity: 5–95% RH (non-condensing)
<b>Dimensions</b>	For the overall product dimensions, see the dimension drawing in this datasheet.
<b>Weight</b>	Main unit: 75 g (0.17 lb) Sensor unit: 12.2 g (0.03 lb) Sensor unit cable: 128 g (0.28 lb)
<b>Box content</b>	Installation guide, owner authentication key Main unit, sensor unit, 8 m (26 ft) black cable, 1 locking nut
<b>Optional accessories</b>	AXIS T8415 Wireless Installation Tool AXIS Surveillance Cards

<b>System tools</b>	AXIS Site Designer, AXIS Device Manager, product selector, accessory selector, lens calculator Available at <a href="https://axis.com">axis.com</a>
<b>Languages</b>	English, German, French, Spanish, Italian, Russian, Simplified Chinese, Japanese, Korean, Portuguese, Polish, Traditional Chinese, Dutch, Czech, Swedish, Finnish, Turkish, Thai, Vietnamese
<b>Warranty</b>	5-year warranty, see <a href="https://axis.com/warranty">axis.com/warranty</a>
<b>Part numbers</b>	Available at <a href="https://axis.com/products/axis-p1265-mk-ii#part-numbers">axis.com/products/axis-p1265-mk-ii#part-numbers</a>
Sustainability	
<b>Substance control</b>	PVC free RoHS in accordance with EU RoHS Directive 2011/65/EU and 2015/863, and standard EN IEC 63000:2018 REACH in accordance with (EC) No 1907/2006. For SCIP UUID, see <a href="https://echa.europa.eu">echa.europa.eu</a>
<b>Materials</b>	Screened for conflict minerals in accordance with OECD guidelines To read more about sustainability at Axis, go to <a href="https://axis.com/about-axis/sustainability">axis.com/about-axis/sustainability</a>
<b>Environmental responsibility</b>	<a href="https://axis.com/environmental-responsibility">axis.com/environmental-responsibility</a> Axis Communications is a signatory of the UN Global Compact, read more at <a href="https://unglobalcompact.org">unglobalcompact.org</a>

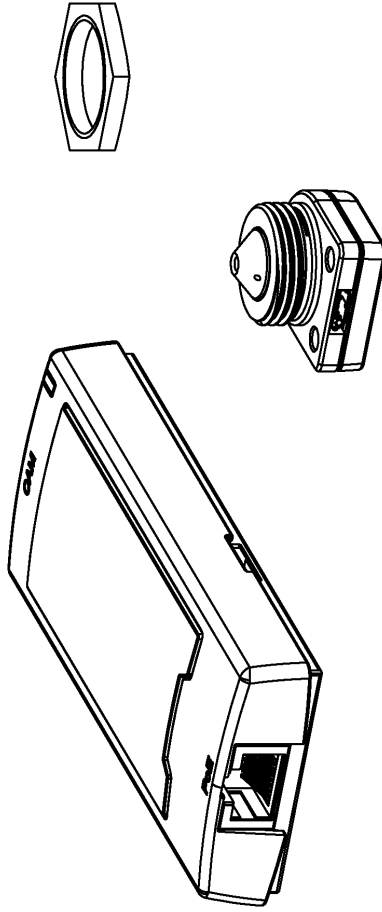
- a. Reduced frame rate in Motion JPEG
- b. This product includes software developed by the OpenSSL Project for use in the OpenSSL Toolkit. ([openssl.org](https://openssl.org)), and cryptographic software written by Eric Young ([eyay@cryptsoft.com](mailto:eyay@cryptsoft.com)).
- c. Available for download

## Detect, Observe, Recognize, Identify (DORI)

	DORI definition	Distance
Detect	25 px/m (8 px/ft)	50.6 m (166 ft)
Observe	63 px/m (19 px/ft)	20.1 m (66 ft)
Recognize	125 px/m (38 px/ft)	10.1 m (33.1 ft)
Identify	250 px/m (76 px/ft)	5.1 m (16.7 ft)

The DORI values are calculated using pixel densities for different use cases as recommended by the EN-62676-4 standard. The calculations use the center of the image as the reference point and consider lens distortion. The possibility to recognize or identify a person or object depends on factors such as object motion, video compression, lighting conditions, and camera focus. Use margins when planning. The pixel density varies across the image, and the calculated values can differ from the distances in the real world.

# Dimension drawing



[www.axis.com](http://www.axis.com)

## AXIS P1265 Mk II Modular Pinhole Camera

Revision	v.01	Revision date	2024-01-18
Paper size	A4	Release date	2024-01-18
Created by	MS	Scale	1:1

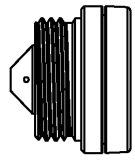
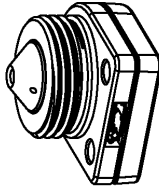
© 2024 Axis Communications



www.axis.com

Revision	v.01	Revision date	2024-01-18
Paper size	A4	Release date	2024-01-18
Created by	MS	Scale	1:2

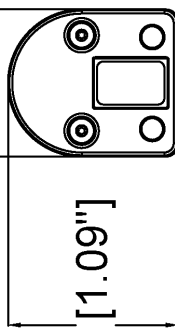
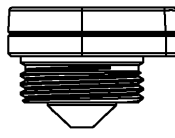
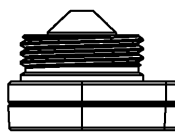
© 2024 Axis Communications



Ø20mm [Ø0.79"]

Ø11mm [Ø0.44"]

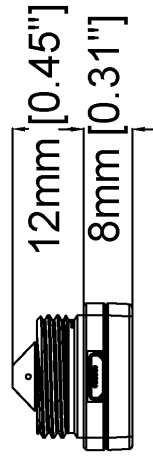
24mm [0.94"]



28mm [1.09"]

Ø4mm [Ø0.14"]

15mm [0.59"]



12mm [0.45"]

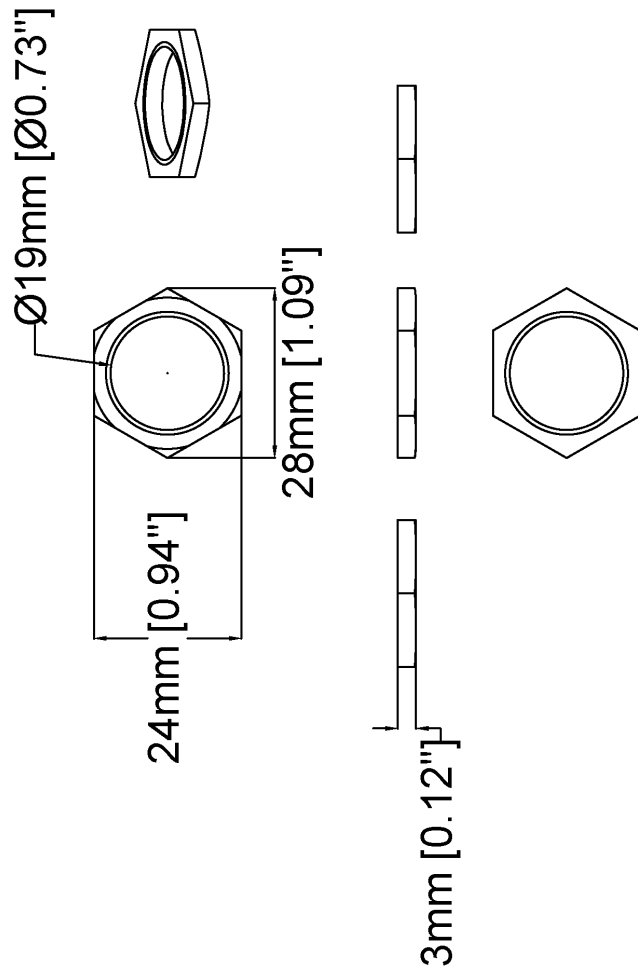
8mm [0.31"]



www.axis.com

Revision	v.01	Revision date	2024-01-18
Paper size	A4	Release date	2024-01-18
Created by	MS	Scale	1:1

© 2024 Axis Communications



Revision	v.01	Revision date	2024-01-18
Paper size	A4	Release date	2024-01-18
Created by	MS	Scale	1:1



## Highlighted capabilities

### AXIS Object Analytics

AXIS Object Analytics is a preinstalled, multifeatured video analytics that detects and classifies humans, vehicles, and types of vehicles. Thanks to AI-based algorithms and behavioral conditions, it analyzes the scene and their spatial behavior within – all tailored to your specific needs. Scalable and edge-based, it requires minimum effort to set up and supports various scenarios running simultaneously.

### AXIS Live Privacy Shield

Remotely monitor activities both indoors and outdoors while safeguarding privacy in real-time.

With AI-based dynamic masking you can choose what to mask or blur while addressing rules and regulations protecting privacy and personal data. The application enables masking of moving and still objects such as humans, license plates, or backgrounds. The application works in real-time and on both live and recorded video streams.

### Axis Edge Vault

Axis Edge Vault is the hardware-based cybersecurity platform that safeguards the Axis device. It forms the founda-

tion that all secure operations depend on and offer features to protect the device's identity, safeguard its integrity and protect sensitive information from unauthorized access. For instance, **secure boot** ensures that a device can boot only with **signed OS**, which prevents physical supply chain tampering. With signed OS, the device is also able to validate new device software before accepting to install it. And the **secure keystore** is the critical building-block for protecting cryptographic information used for secure communication (IEEE 802.1X, HTTPS, Axis device ID, access control keys etc.) against malicious extraction in the event of a security breach. The secure keystore and secure connections are provided through a Common Criteria or FIPS 140 certified hardware-based cryptographic computing module.

Furthermore, signed video ensures that video evidence can be verified as untampered. Each camera uses its unique video signing key, which is securely stored in the secure keystore, to add a signature into the video stream allowing video to be traced back to the Axis camera from where it originated.

To read more about Axis Edge Vault, go to [axis.com/solutions/edge-vault](https://axis.com/solutions/edge-vault).

For more information, see [axis.com/glossary](https://axis.com/glossary)