

P8 Slim PWM PST

80 mm Low-Profile PWM Fan with Cable Splitter



General Specifications

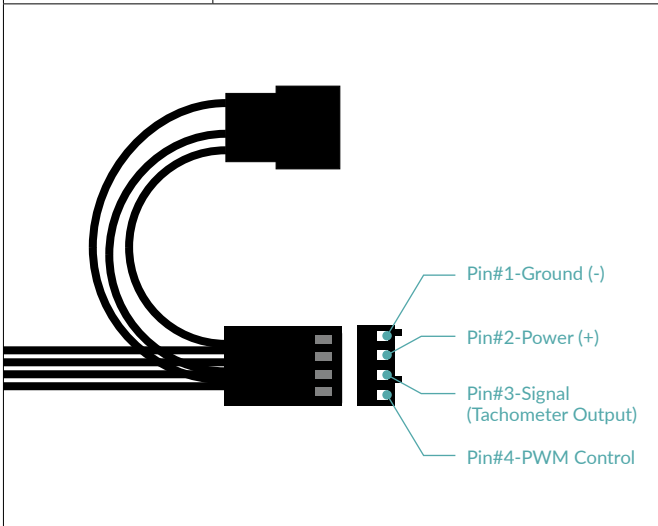
Dimensions	80 (L) x 80 (W) x 15 (H) mm
Weight	45 g
Operating Ambient Temperature	0–40 °C
Warranty	6 Years

Shipping Information

Box Dimensions	89 (L) x 83 (W) x 17 (H) mm
Gross Weight	67 g
SKU	ACFAN00295A
EAN	4895213704199
UPC	840033402019

Fan Specifications

Speed	300–3000 rpm (PWM controlled), (0 rpm below 5 % PWM)
Airflow	22.5 cfm 38.23 m ³ /h
Static Pressure	2.35 mmH ₂ O
Bearing	Fluid Dynamic Bearing
Connector	4-Pin Connector + 4-Pin Plug
Start-up Voltage	6.9 V DC
Current Voltage	0.095 A 12 V DC
Cable Length	400 mm + 80 mm, Black

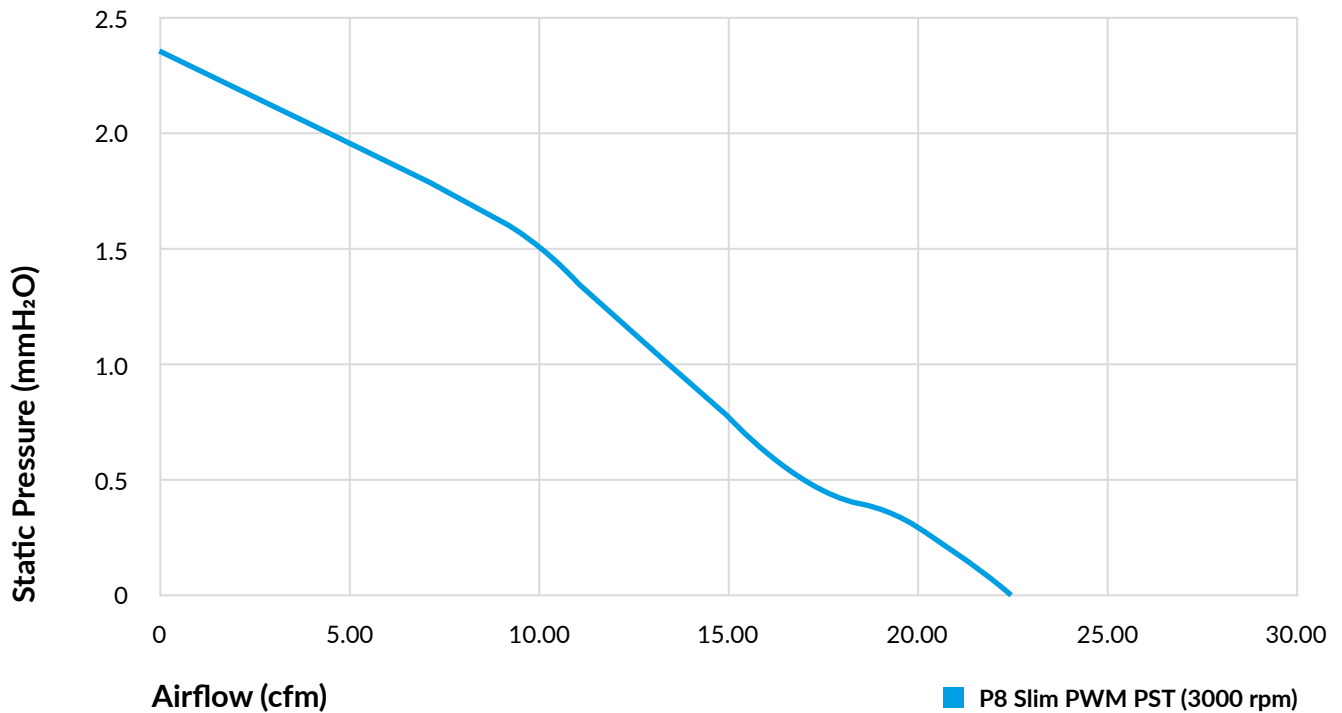


P8 Slim PWM PST

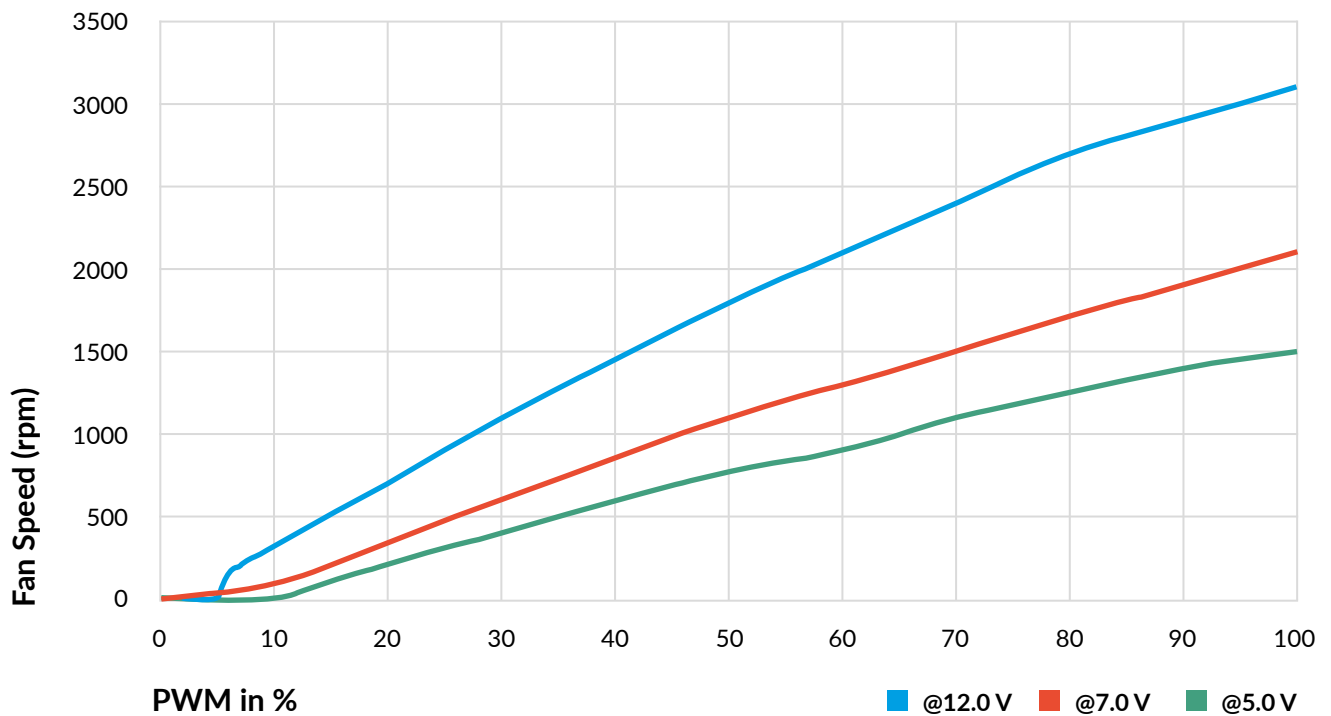
80 mm Low-Profile PWM Fan with Cable Splitter



P/Q CURVE

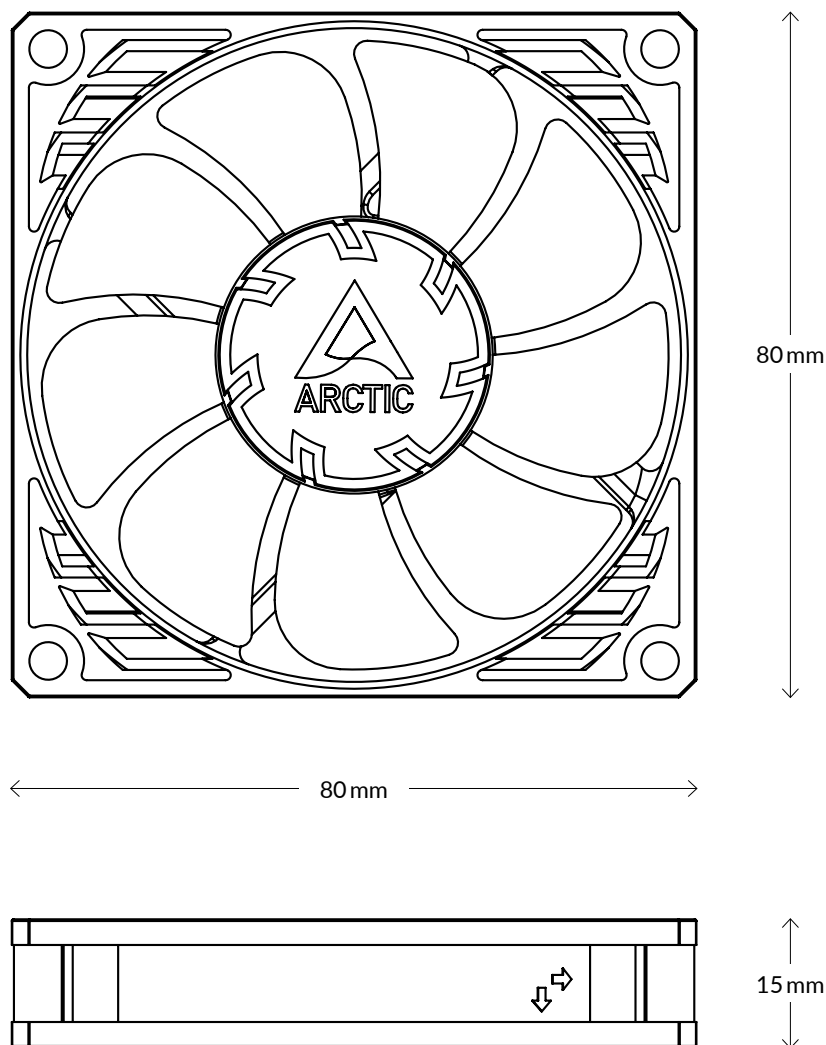


PWM CONTROL CURVE



P8 Slim PWM PST

80 mm Low-Profile PWM Fan with Cable Splitter



All materials are compatible with RoHS requirements.

MORE INFORMATION



MANUALS

