

## PC575-UNL



**Mounting Pattern**  
From 200x100mm  
to 600x400mm



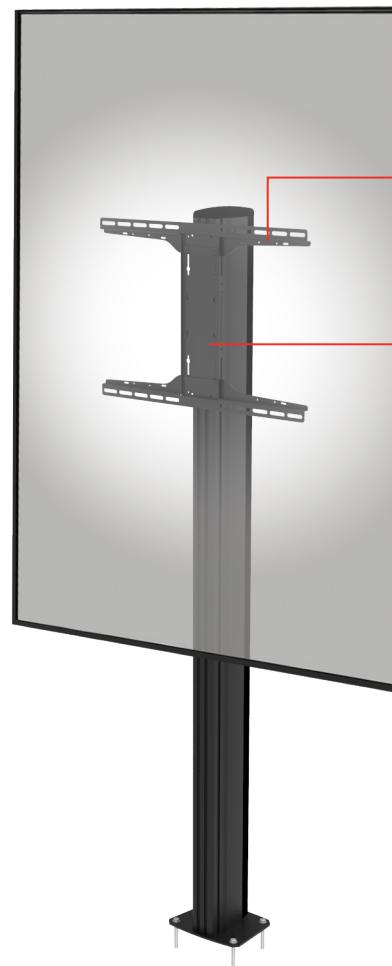
**Max Load**  
60kg  
(132lbs)

# Universal In-Window Bolt-Down

FOR 32" TO 75" DISPLAYS\*

The Peerless-AV® Universal In-Window Bolt-Down is designed to provide a stable, space saving support structure for single screen applications (32" to 75" displays) in landscape or portrait orientation. The 1.8m extrusion has a heavy duty flat floor plate that is bolted down for a solid foundation in settings such as retail, hospitality, or corporate in-window. The perfect viewing height for a display is achieved during installation, with vertical adjustment anywhere along the column. The PC575-UNL features a Large Universal Adaptor (MOD-UNL) with an open design and max weight capacity of 60kg. Cable management channels within the column create a clean & tidy installation, with a durable anodised black finish providing sleek aesthetics to fit in any professional environment. The minimal, lightweight design of the PC575-UNL enables a fast, straightforward installation, with the versatility to fulfil a wide range of indoor applications.

- Accommodates displays in landscape and portrait orientation
- Vertical height adjustment\* enables display to be located anywhere along the column up to 1.7m to screen centre (\*at time of install)
- Integrated cable management protects, contains and conceals cables for a clean, professional installation
- Fits displays with VESA® mounting patterns from 200 x 100mm up to 600 x 400mm
- Sleek & durable black anodised finish for a long lasting, scratch resistant appearance
- Lightweight aluminium column reduces shipping costs, while simplifying onsite handling and installation.
- Easy and quick installation



**COMPATIBLE WITH ACC-UCM**  
Universal AV Component Mount

**VERSATILE ORIENTATION**  
Display can be mounted in portrait or landscape



**CABLE MANAGEMENT**  
Allows cables to enter and exit neatly along the profile



**RoHS**

\*This display size range is simply a guideline for product selection. Displays larger than the screen size range may still be compatible as long as they fall within the VESA® pattern and max weight of the Peerless-AV® product.

✉ info@peerless-av.com

🌐 peerless-av.com

**peerless-AV®**  
Driving Technology Through Innovation

PC575-UNL Universal In-Window Bolt-Down Pedestal for 32" to 75" Displays

**Product Specifications**

	DIMENSIONS (W X H X D)	PRODUCT WEIGHT	LOAD CAPACITY	FINISH	AVAILABLE COLOURS
PC575-UNL	619 x 1830 x 190mm (24.37" x 72.04" x 7.49")	13kg (29lbs)	60kg (132lbs)	Powder Coat	Black

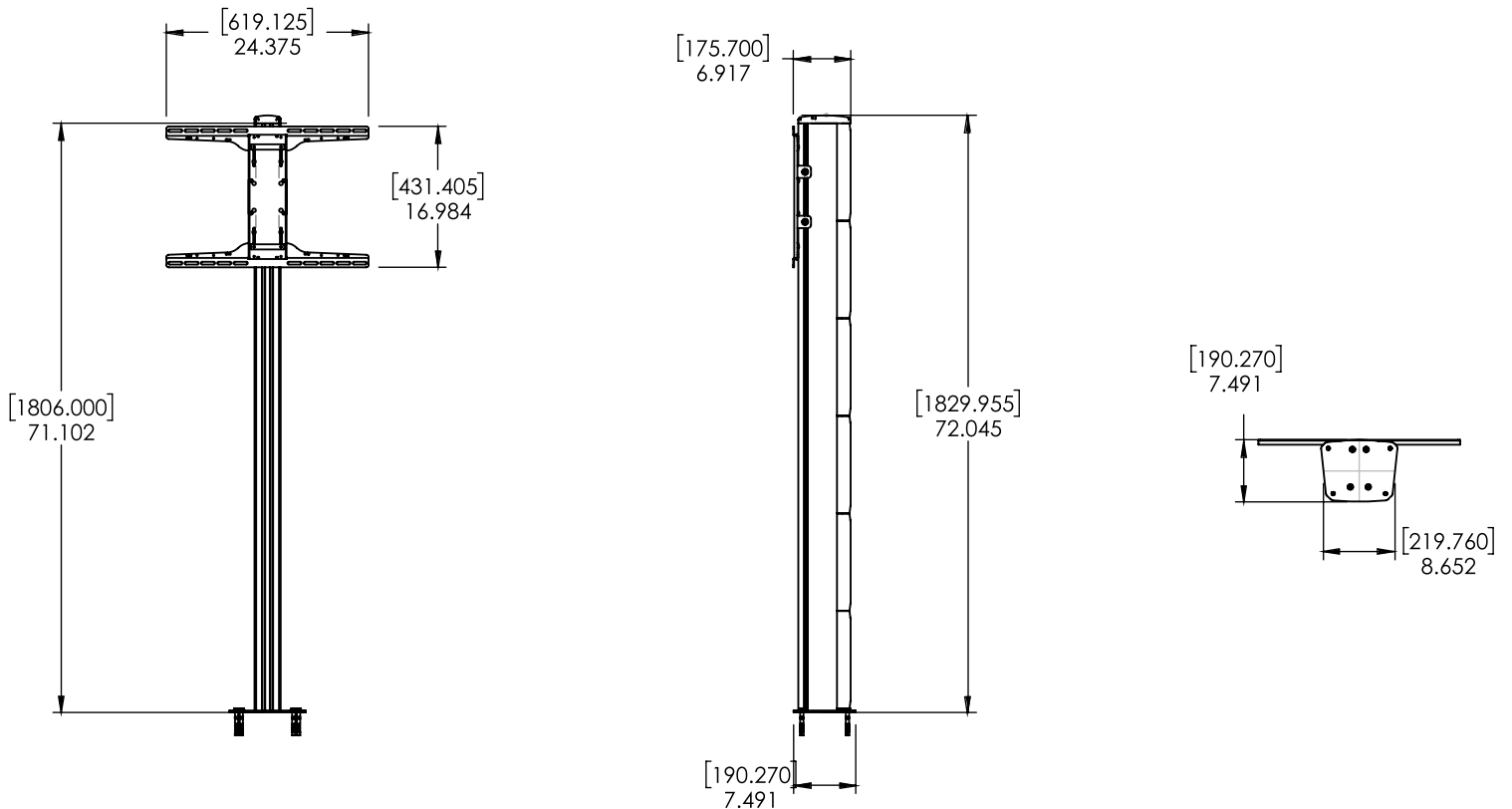
**Package Specifications**

	PACKAGE SIZE (W x H x D)	PACKAGE SHIP WEIGHT	PACKAGE UPC CODE	PACKAGE CONTENTS	UNITS IN PACKAGE
PC575-UNL	1950 x 50 x 75mm (76.77" x 1.97" x 2.95")	14kg (31lbs)	735029355687	Flat Floor Plate, Extrusion Column, End Cap, Cable Management Covers, Screen Adaptor, Hardware and Instructions	1

**Accessories**

- ACC-UCM:** Universal AV Component Mount
- ACC-M835:** M8 security fixings kit
- ACC-V900X:** Accessory Adaptor Rails For VESA® 600, 800, and 900mm wide mounting patterns

All dimensions = inch (mm)



**Architect Specifications**

The Universal In-Window Bolt-Down shall be a Peerless-AV model PC575-UNL and shall be located where indicated on the plans. Assembly and installation shall be done according to instructions provided by the manufacturer.

Visit [peerless-av.com](http://peerless-av.com) to see the complete line of AV solutions from Peerless-AV, including outdoor displays, kiosks, digital audio, display mounts, projector mounts, carts/stands, and a full assortment of accessories.

**Peerless-AV**  
2300 White Oak Circle  
Aurora, IL 60502 USA  
**(800) 865-2112**  
**(630) 375-5100**

**Peerless-AV EMEA**  
Unit 2 Curo Park  
Frogmore, St. Albans  
Hertfordshire, AL2 2DD  
United Kingdom  
**+44 (0) 1923 200100**

**Peerless-AV Latin America**  
Av. de las Industrias 413  
Parque Industrial Escobedo  
General Escobedo, N.L.,  
México, 66062  
**+52 (81) 8384-8300**

