

Freezer 36 A-RGB

Multi Compatible Tower CPU Cooler with A-RGB



General Specifications

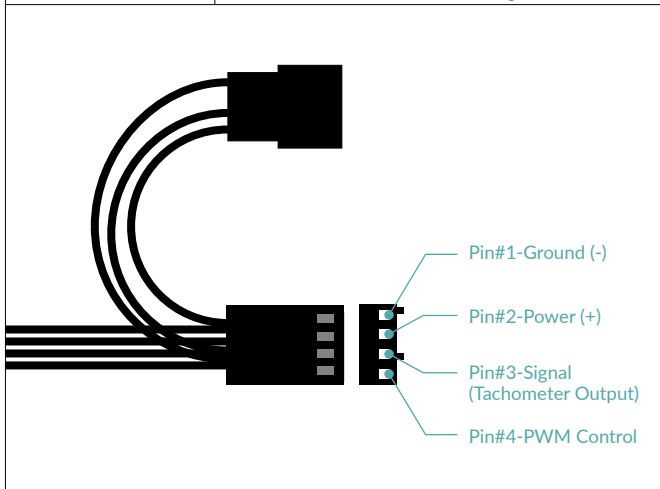
Compatibility	Intel® LGA1851 LGA1700 AMD® AM5 AM4
PI NNPI	245 219
TIM	MX-6 (0.8g)
Warranty	6 Years
Operating Ambient Temperature	0-40°C
Dimensions	104 (L) x 126 (W) x 159 (H) mm
Weight	917g

Heatsink Specifications

Heatpipes	4x 6 mm Ø, Copper
Finnstack	59x 0.4 mm, Aluminium

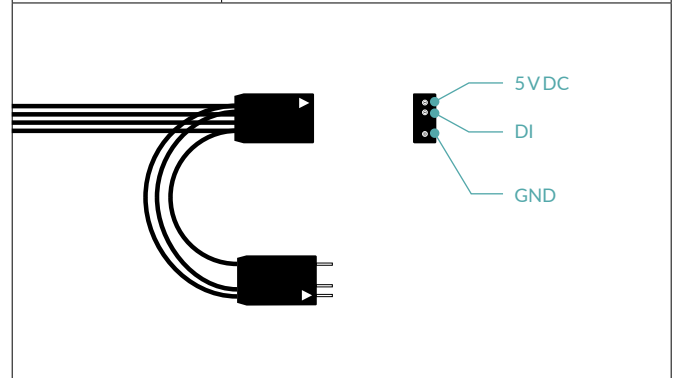
Fan Specifications

General	2x P12 PWM PST A-RGB
Speed	200-2000 rpm, PWM Controlled (0 rpm below 5% PWM)
Bearing	Fluid Dynamic Bearing
Current Voltage	0.11 A 12VDC
Cable Length	200mm + 80mm Splitter Cable
Connector	4-Pin PWM-Connector + 4-Pin Plug



RGB Specifications

LEDs	12x A-RGB LEDs
Current Voltage	0.40 A 5VDC
Cable Length	200mm + 80mm Splitter Cable
Connector	3-Pin A-RGB-Connector + 3-Pin Plug



Shipping Information - Freezer 36 A-RGB (Black)

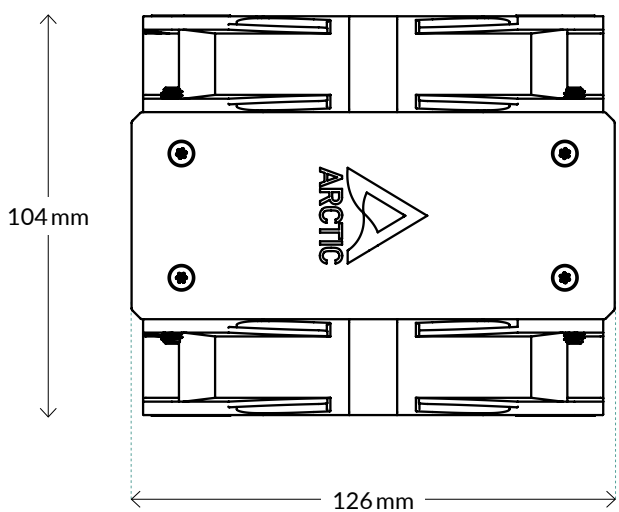
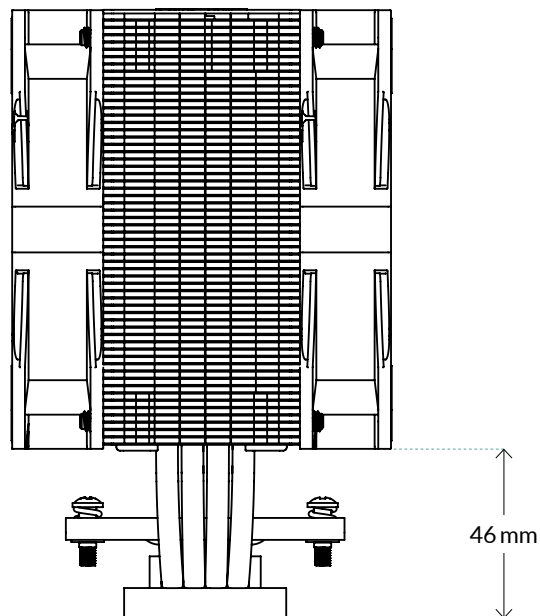
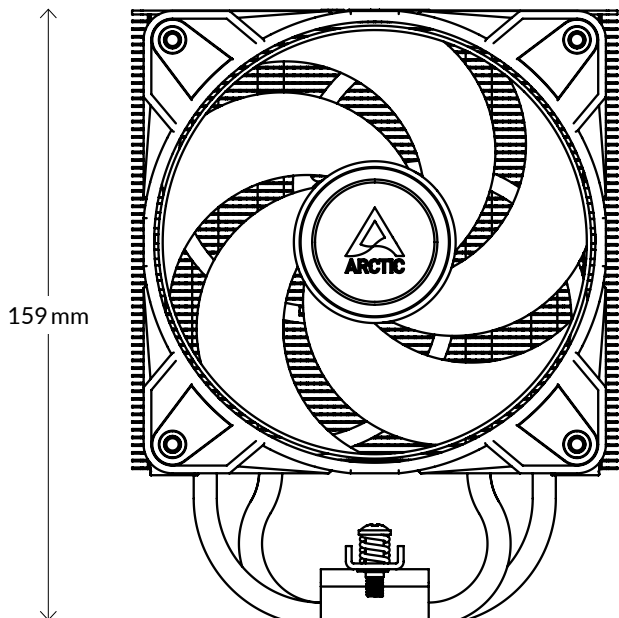
Box Dimension	190 (L) x 186 (W) x 117 (H) mm
Gross Weight	1258g
SKU	ACFRE00124A
EAN	4895213704151
UPC	840033401968

Shipping Information - Freezer 36 A-RGB (White)

Box Dimension	190 (L) x 186 (W) x 117 (H) mm
Gross Weight	1258g
SKU	ACFRE00125A
EAN	4895213704168
UPC	840033401975

Freezer 36 A-RGB

Multi Compatible Tower CPU Cooler with A-RGB



All materials are compatible with RoHS requirements.

MORE INFORMATION



MANUALS

