

SR898-EUK



# SMARTMOUNT® Flat Panel Trolley

FOR 55" TO 110"+ DISPLAYS

The SR898 SmartMount® Flat Panel Trolley provides all of the necessary features to support your mobile display deployment, whether that's in a boardroom or a classroom. The minimalistic, tubular design provides a clean aesthetic by hiding all cabling through the internal structure. The trolley also includes a IEC pass through cable that is neatly stored in the rear hinging compartment. This protects the cord from damage, but also makes moving your display from room-to-room a breeze. The rear ABS molded cover helps hide any cabling, media players, or mini PCS, which means behind the display will not look cluttered if the trolley is placed where the back is visible.



**Mounting Pattern**  
200 x 200 up to  
900 x 600mm



**Max Load**  
300lb  
(136.1kg)

- Improved leg design offers better movement around the display, such as when using a touch display or presenting to an audience
- Tube design and spacing allows for an easier way of transporting the display thanks to flexible handling locations
- 813 x 279mm fixed shelf provides a convenient place to set laptops, notebooks, pens, etc.
- Optional ACC-UCM accessory can be added to the rear of the trolley for mounting of additional AV devices
- Tested to UL Standards
- Includes preinstalled IEC Cable



**REMOVABLE REAR COVER**

Sits behind the rear of the display and provides a clean, concealed area for managing cabling and components (Shelf is made of ABS plastic; materials do not degrade WiFi signals)



Included IEC cable is preinstalled through the trolley tubing (C13 at top)

**HEIGHT ADJUSTMENT**

Allows displays to be positioned 1.25m to 1.65m from the floor



IEC cable exits the trolley tubing and is managed at the rear of the trolley (C14 at bottom)

**HIDDEN CABLE MANAGEMENT**

Hinged rear cover provides hidden storage for the power cable when moving or storing the trolley

**SAFE AND EASY MANEUVERABILITY**

4" (102mm) dual-wheeled casters (two locking) allow the trolley to easily move across tile, carpet, and thresholds



Complies with ADA Standards for Accessible Design, Section 308



The frame design of the trolley is optimized for storing multiple trolleys in a reduced footprint



The leg design allows the trolley to easily pass through doorways as small as 30" (762mm) wide

Please visit [peerless-av.com/en-us/patents](http://peerless-av.com/en-us/patents) for patent information.



✉ [info@peerless-av.com](mailto:info@peerless-av.com)  
🌐 [peerless-av.com](http://peerless-av.com)

**peerless-AV®**  
Driving Technology Through Innovation

SR898-EUK	SmartMount® Flat Panel Trolley for 55" to 110"+ Displays
-----------	--

Product Specifications

	DIMENSIONS (W X H X D)	PRODUCT WEIGHT	LOAD CAPACITY	FINISH	AVAILABLE COLOURS
SR898-EUK	36.44" x 77.54" x 29.39" (926 x 1973 x 747mm)	89lb (40.4kg)	300lb (136.1kg)	Textured Powder Coat	Black

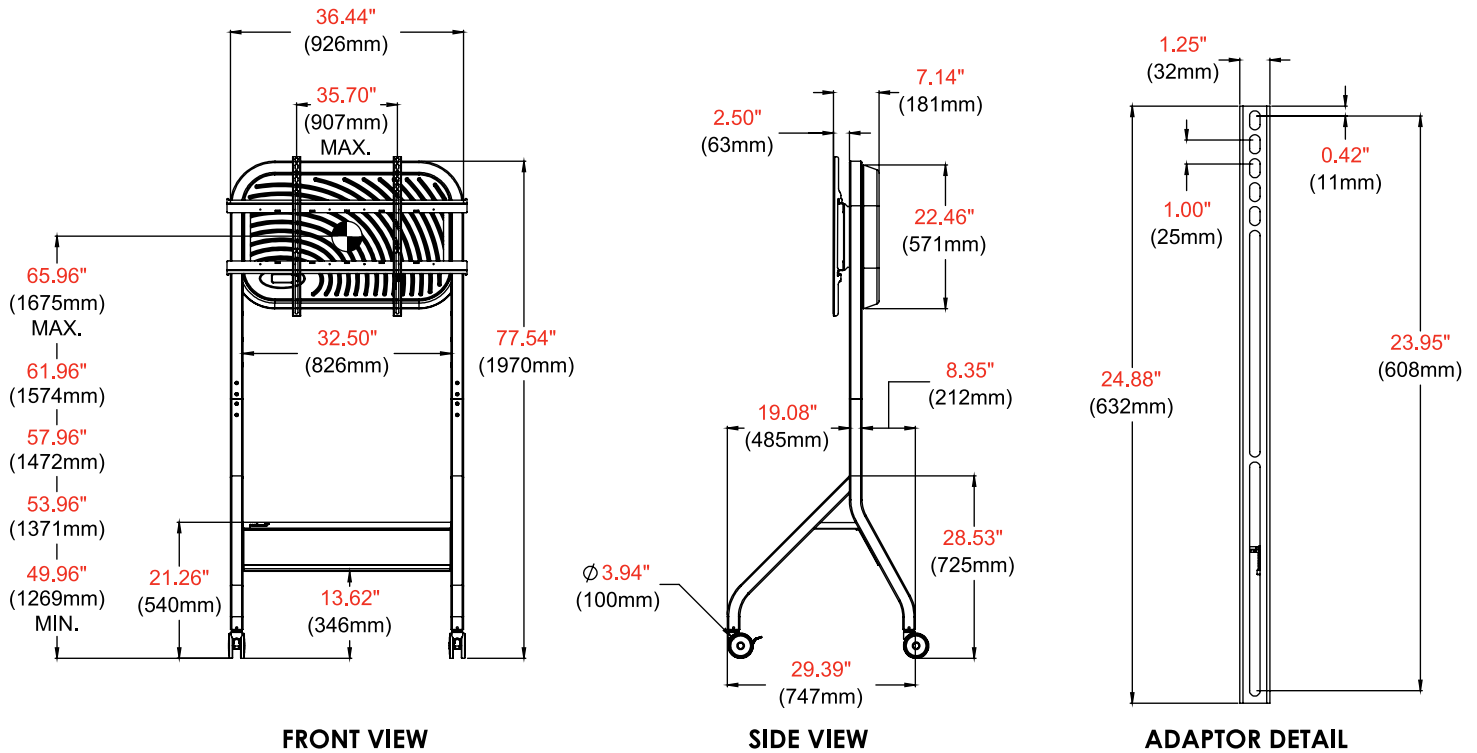
Package Specifications

	PACKAGE SIZE (W x H x D)	PACKAGE SHIP WEIGHT	PACKAGE UPC CODE	PACKAGE CONTENTS	UNITS IN PACKAGE
SR898-EUK	41.34" x 6.30" x 46.86" (1050 x 160 x 1190mm)	109lb (49.4kg)	735029351016	Right and Left Frames, Upright Tube, Steel Shelf, Universal Display Adaptor, (2) Swivel Casters, (2) Locking Swivel Casters, ABS Rear Cover, Hardware & Instructions	1

Accessories

- ACC-SB2:** Large Universal Soundbar / VC Mount
- ACC-UCM:** Universal AV Component Mount
- ACC-EU3GIEC:** EU 3 Gang Power Strip to IEC C14 & 3m IEC C13 to EU Mains Plug
- ACC-UK4GIEC:** UK 4 Gang Power Strip to IEC C14 & 3m IEC C13 to UK Mains Plug
- ACC-V1500:** 1200 and 1500mm VESA® Adaptor
- ACC149** (2) 600mm tall Adaptor Brackets
- ACC152** Replacement Caster Kit (2 locking, 2 non-locking) 300lb
- ACC310:** Leveling Feet Accessory

All dimensions = inch (mm)



Architect Specifications

The SmartMount® Flat Panel Trolley shall be a Peerless-AV model SR898-EUK and shall be located where indicated on the plans. Assembly and installation shall be done according to instructions provided by the manufacturer.

Visit [peerless-av.com](http://peerless-av.com) to see the complete line of AV solutions from Peerless-AV, including outdoor displays, kiosks, display mounts, projector mounts, trolleys/stands, and a full assortment of accessories.

**Peerless-AV**  
2300 White Oak Circle  
Aurora, IL 60502  
USA  
**(800) 865-2112**  
**(630) 375-5100**

**Peerless-AV EMEA**  
Unit 2 Curo Park  
Frogmore, St. Albans  
Hertfordshire, AL2 2DD  
United Kingdom  
**+44 (0) 1923 200 100**

**Peerless-AV B.V.**  
Papendorpseweg 75  
3528 BJ Utrecht  
The Netherlands  
**+31 (0) 70 770 8037**

**Peerless-AV Latin America**  
Av. de las Industrias 413  
Parque Industrial Escobedo  
General Escobedo, N.L.,  
México, 66062  
**+52 (81) 8384-8300**

