

# Fit™ Mobile Cart

## FOR INTERACTIVE DISPLAYS

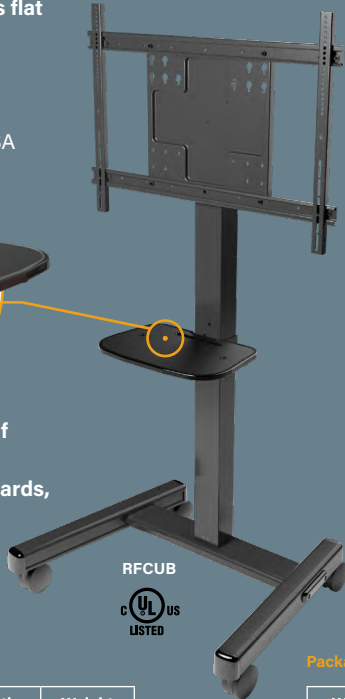
The Right Fit™!

This mobile AV cart fits flat panel displays:

- 55" to 86"
- Up to 175 lbs. (79 kg)
- Up to 800 x 600 VESA



Height-adjustable shelf is included to store accessories like keyboards, laptops, and styluses.



Three adjustable height locations from 44" (112 cm) to 60" (153 cm) accommodates accessibility for a wide range of users.

- Easy to set prior to display installation

Fit Mobile Cart is developed to maintain stability while users interact with touchscreen TVs.

- Robust 4" casters
- Compact 29" legs enhance safety and maneuverability
- Built for efficiency, speed and easy movement



### Product Measurements

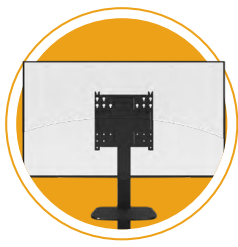
Width	Height	Depth	Weight
36.21" (920mm)	72.30" (1836mm)	29.11" (739mm)	65 lbs. (29 kg)

### Package Measurements

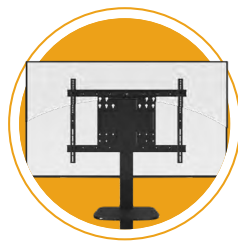
Width	Height	Depth	Weight
38.5" (978 mm)	7" (178 mm)	20.5" (521 mm)	74 lbs. (34 kg)



Accommodates TVs, including interactive displays, from 55" to 86" and up to 175 lbs. (79 kg)



For displays with 400x400 VESA or smaller, mount directly to the face plate.



For displays with larger than 400x400 VESA, use the included interface brackets before attaching to the face plate.

# CHIEF®

A brand of Legrand

# LAUNCHING SPRING 2024!

The Fit™ Mobile Cart for Interactive Displays is designed for flexibility. Move TVs for optimal viewing and collaboration for corporate, education and many other spaces!

### Product Features:

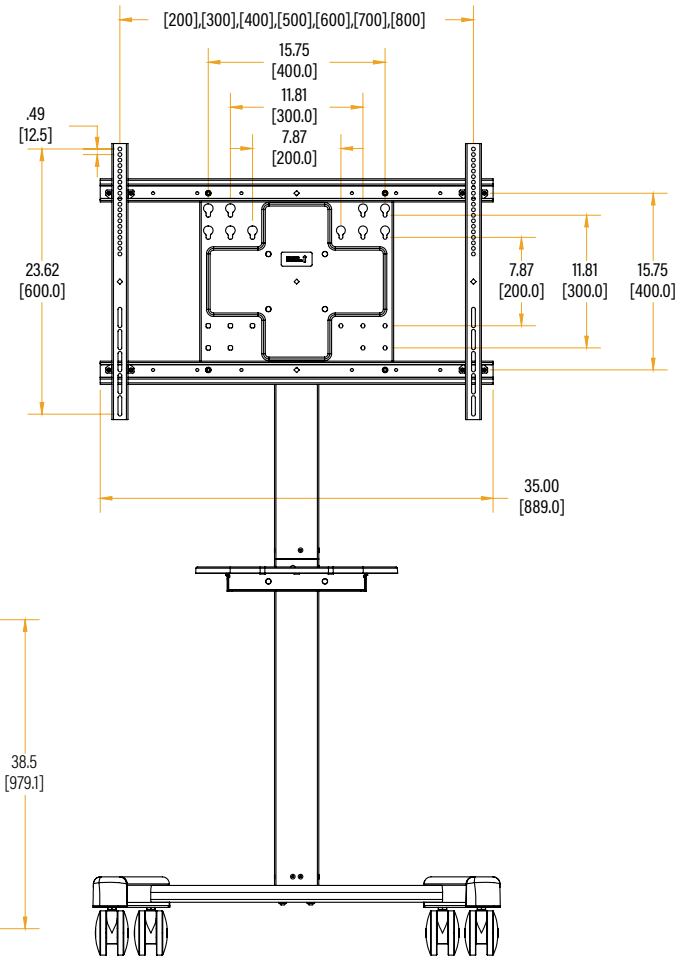
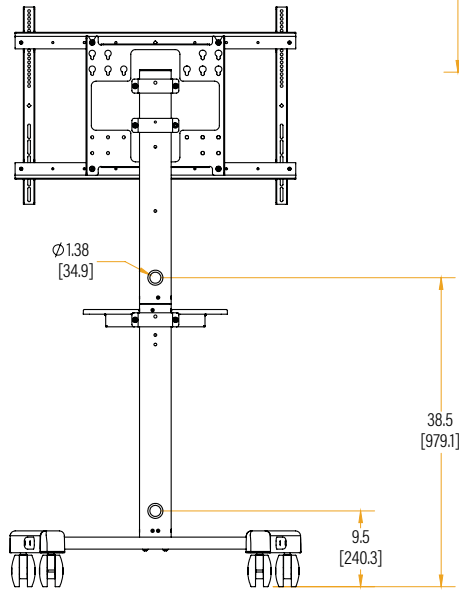
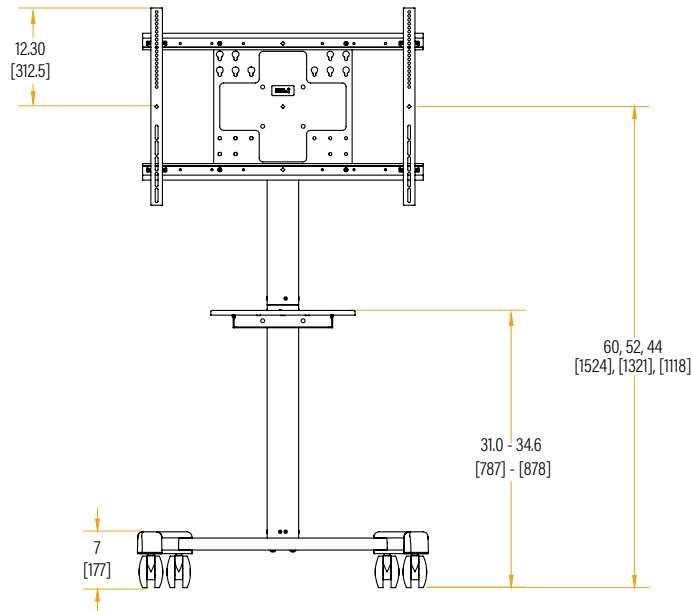
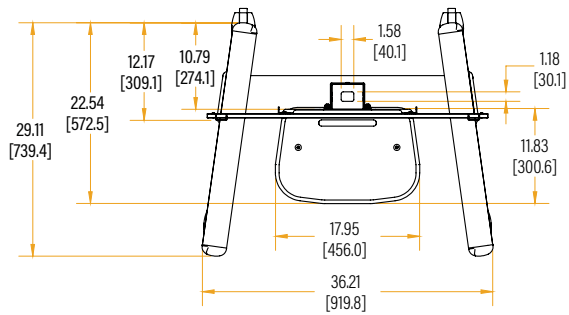
- Typical Screen Sizes: 55" to 86"
- Display Mounting Pattern: Up to 800 x 600 mm
- Display Weight Capacity: 175lbs (79kg)
- Shelf Weight Capacity: 10lbs
- Display Height Positions  
(Center of Display): 44", 52" or 60"
- Certifications: UL Listed



# Fit™ Mobile Cart

## FOR INTERACTIVE DISPLAYS

### Technical Drawing



INSTALLER INSPIRED | [legrandav.com](http://legrandav.com)

USA 866.977.3901 [av.chief.support@legrand.com](mailto:av.chief.support@legrand.com) CANADA 877.345.4329 [av.chief.canada@legrand.com](mailto:av.chief.canada@legrand.com)

EMEA +31 495 580 840 [av.emea.sales@legrand.com](mailto:av.emea.sales@legrand.com) APAC +852 2145 4099 [av.asia.sales@legrand.com](mailto:av.asia.sales@legrand.com)

LEGRAND | AV COMMERCIAL BRANDS

C2G | Chief | Da-Lite | Luxul | Middle Atlantic | Vaddio | Wiremold