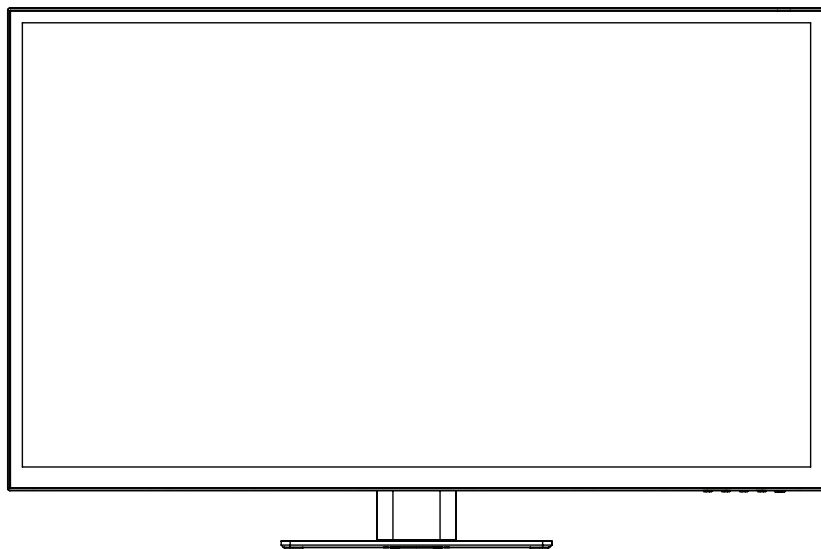




Clarity Max

32" 4K UHD Monitor



Quick Start Guide

Schnellstartanleitung

Guida Rapida

Guide de démarrage
rapide

Guía de inicio rápido

クイックスタートガイド

دليل البدء السريع

Краткое руководство
пользователя

Content

English	6
Deutsch	11
Lenguas Españolas	16
Español	21
Italiano	26
日本語	31
عربي	36
русский язык	41

Quick Start Guide

Schnellstartanleitung

Guida Rapida

Guide de démarrage rapide

Guía de inicio rápido

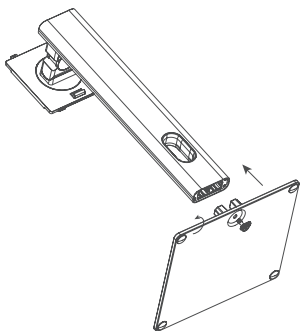
クイックスタートガイド

دليل البدء السريع

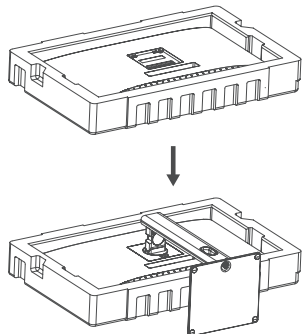
Краткое руководство
пользователя



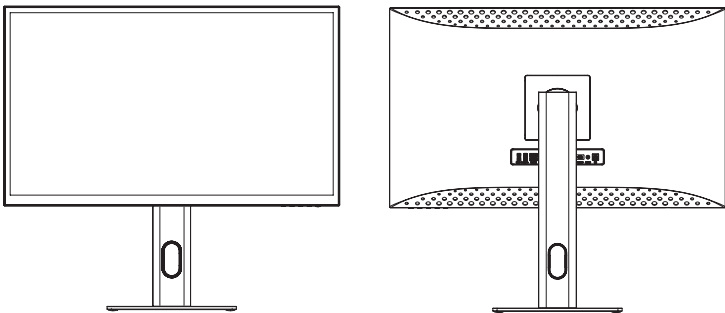
1



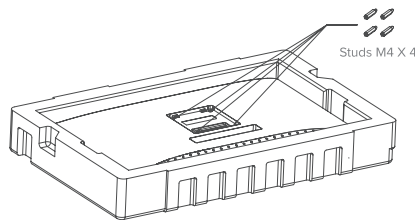
2



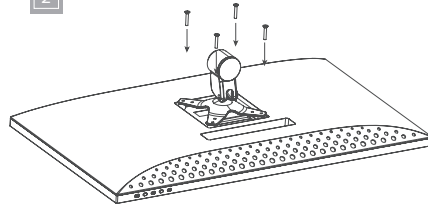
3



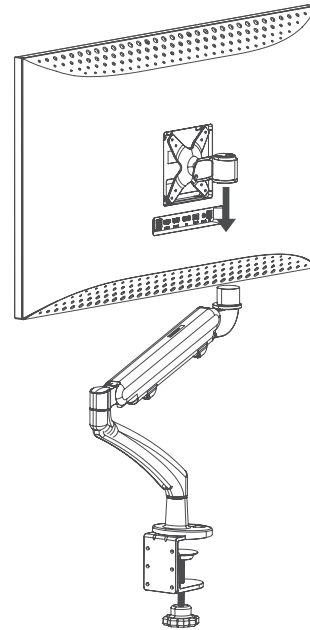
1



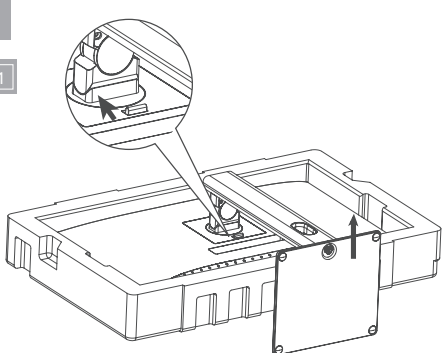
2



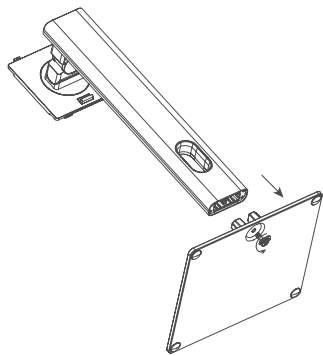
3



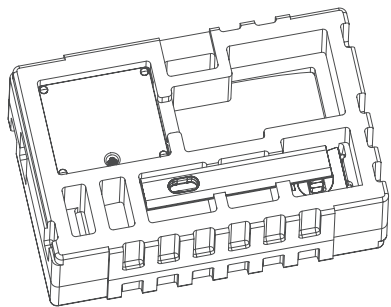
1



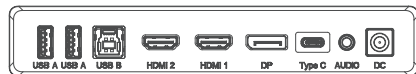
2



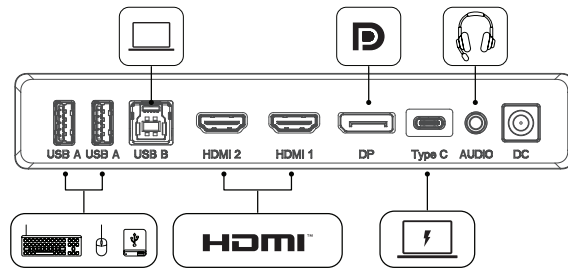
3

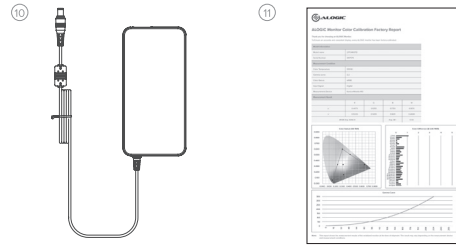
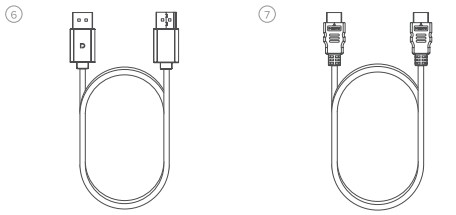
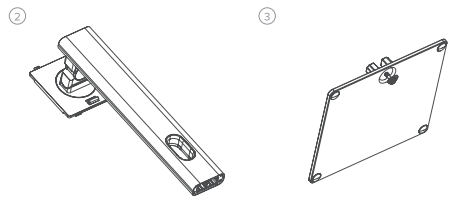
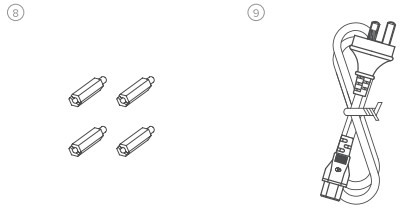
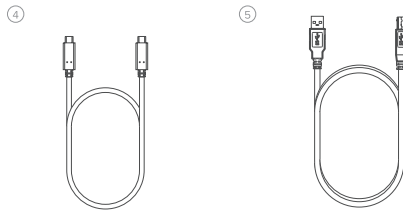
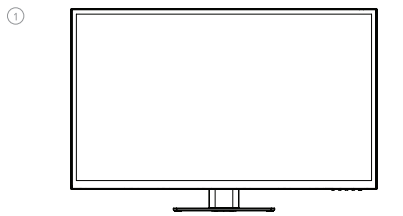


1



2





Package Contents

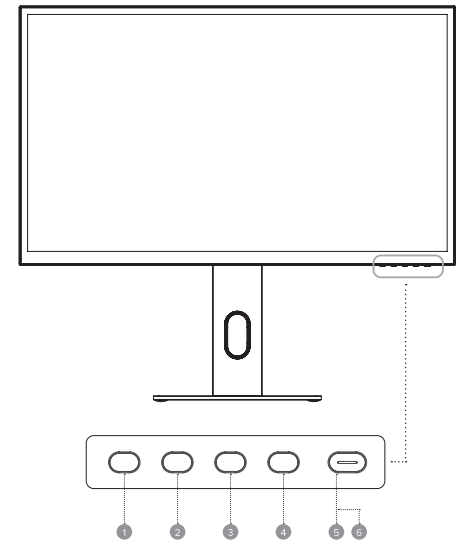
1	Clarity Max 32" Monitor
2	Stand Stem
3	Stand Base
4	USB-C to USB-C Cable (USB3.2 - Gen1)
5	USB-A to USB-B Cable
6	DisplayPort to DisplayPort Cable

7	HDMI to HDMI Cable
8	4x VESA Mounting Screws
9	Power Cable (AC 100-240V, 50/60Hz)
10	Power Adapter
11	Colour Calibration Report

Specifications

Model	32C4KPD - Clarity Max
Screen Size	32"
Dimensions	With Stand: 726x481x250mm (WxHxD) Without Stand: 726x428x57mm (WxHxD)
Weight	With Stand: 9.8kg Without Stand: 6.5kg
Material	ABS, Glass, Aluminium
Power Adapter	Input: AC 100-240V~, 50/60Hz Output: DC 19V $\overleftrightarrow{=}$ 7.89A, 150W (Max)
Aspect Ratio	16:9
Brightness	350cd/m ² (Typ.), 320cd/m ² (Min.)
Panel	IPS
Resolution	DP1.4: 3840*2160@60Hz HDMI2.0: 3840*2160@60Hz
Refresh Rate	60Hz

Viewing Angle	178°(H) / 178°(V)
Contrast Ratio	3000:1
VESA Mounting	100 x 100mm
Display Colors	16.7 Million
Ports	1x DP 1.4, 2x HDMI 2.0, 1x Type-C, 2x USB-A, 1x USB-B, 1x Audio Out
Audio	Speakers: 5Wx2 Audio Out: Yes
Low Blue Light	Yes
Flicker Free	Yes
USB PD Power Delivery	Up to 65W power to host computer



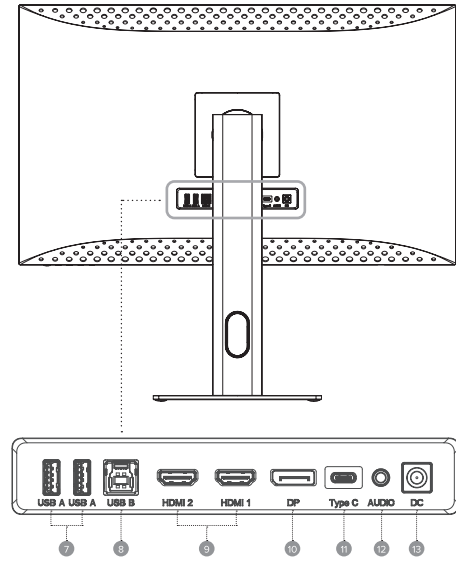
Monitor Controls

1	Menu: Press to display OSD menu and enter sub-menus
2	Up/Left: Press to move Up/Left in menus
3	Down/Right: Press to move Down/Right in menus
4	Exit: Press to exit OSD menu
5	Power: Press to turn monitor on/off
6	LED Indicator and Power Button

Indicator Light

The indicator light shows steady white to indicate that the power is on and the monitor is operating normally. The steady blue light indicates that there is no video source, an invalid signal, or low voltage is detected. Please make sure that your computer is turned on and all video cables are fully plugged in or connected.

White		Operating Normally
Blue		No video source Invalid signal Low voltage is detected



Monitor Ports

7	USB-A Ports
8	USB-B Port
9	HDMI Ports
10	DisplayPort Port
11	USB-C Port
12	Audio Output For Headphones Or Powered Speakers
13	Power Input



Refer to the diagrams on pages 6 and 7



Unpacking and Assembly

Before unpacking the stand, ensure that the box is placed on a flat, clear surface.

1. Open the lid of the monitor box, remove the upper Styrofoam tray containing the stand and place it to one side.
2. Open the soft bag that protects the monitor to reveal where the stand attaches to the rear of the monitor. Leave the monitor laying in the Styrofoam tray to avoid damaging it while installing the stand.
3. Insert the top of the monitor stand into the mount on the rear of the monitor and press downwards on the stand until it clicks into place. Do not use excessive force to ensure that the monitor is not damaged.
4. Carefully lift the monitor out of the Styrofoam tray and stand it on the desk ready for use.

Warning: Do not put pressure on the display area of the monitor while assembling or moving the monitor. The display screen is fragile - applying force to it will break the display.

Keep the monitor box and Styrofoam packaging for future transportation and storage of the monitor.

Warning: Ensure the stand has clicked into place before lifting the monitor.



Mounting Options

The monitor has 100 x 100mm spaced mounting holes to allow it to be mounted to any compatible 100mm VESA standard monitor arm or wall mount accessory (not included).

The mounting holes are recessed in the region on the back of the monitor where the stand attaches and are hidden by the stand when it is installed. VESA mounts cannot be used with the monitor while the stand is attached.

M4 threaded mounting spacers are included with the monitor which must be used when mounting the monitor to a monitor arm or other mount. Mount the monitor to a VESA mounting accessory as follows.

1. Lay the monitor face down in its Styrofoam packaging tray.

Warning: Do not attempt to lay the screen on any uneven surface including soft surfaces such as carpet and seating while attaching the mounting accessory - damage to the screen may occur.

2. Locate the mounting spacers in the accessory bag that comes with the monitor. With the monitor laying in its Styrofoam tray, screw in the four spacers into the holes in the recess where the stand attaches. Do not over tighten - tightening the spacers too much may cause damage to the monitor.

3. Screw the VESA mounting accessory into the mounting spacers.

Warning: Do not apply pressure to the rear of the monitor while fitting the mounting accessory - downwards pressure on the screen may crack or otherwise damage it.

4. Carefully lift the monitor and mounting accessory out of the tray and place into position.

Ensure there is 50mm clearance around all sides of the monitor when it is installed to ensure that it does not overheat.



Disassembly and Storage

Before disassembling the monitor, ensure that the box is placed on a flat, clear surface.

1. Open the lid of the monitor box, remove the upper Styrofoam tray and place it to one side.
2. Place the soft bag over the monitor and lay it in face down in the Styrofoam tray in the box. Ensure that the bag sits flat against the screen of the monitor and is not folded over itself or bunched up. Excessive bunching of the bag under the monitor screen may damage the screen when it is laid in the box.
3. Open the bag to reveal where the monitor attaches to the stand. Push the monitor stand latch toward the top edge of the monitor and lift the base of the stand upwards to release the stand from the monitor.
4. Close the bag and fold neatly over the rear of the monitor. Place the upper Styrofoam tray on top of the monitor in the box.
5. Undo the screw, separating the base from the stand and place both pieces in the upper foam packaging tray.



Connecting the Monitor

Connecting the Power Cable

Connect the included power cable to the power connector, and then plug the other end into a wall outlet.

Connecting a Video Source

The monitor includes four video inputs which can be connected simultaneously. To connect a computer or other source device, plug one of the included HDMI, DisplayPort or USB-C cables into the computer and into a corresponding port on the monitor.

Notes:

- The USB-C connection will provide up to 65W of power to computers which support USB Power Delivery (USB PD). This allows the computer to display video on the monitor while being charged over a single cable. As a result, the USB-C connection type is the best option if your computer has this capability.
- Depending on the capabilities of the computer it may not be able to provide 4K at a full 60Hz refresh rate if connected to the monitor using HDMI. The USB-C or DisplayPort connection should be used as a first preference if the computer supports these connection types.
- Not all USB-C ports on computers support video output and/or charging using USB PD. If your computer does not show video on the monitor or start charging when connected to the monitor using USB-C, check that the USB-C port on the computer supports DisplayPort Alternate Mode video output and USB PD charging.
- Not all USB-C cables support video transfer or charging above 60W. It is recommended that you use the USB-C cable supplied with the monitor to avoid potential issues with cables that have been obtained separately.

Audio Output

The display features inbuilt speakers as well as an audio output jack to allow headphones and external speakers to be connected. When an external audio device is connected, the display's on-board speakers will be disabled.



Connecting Audio Devices

The audio port on the display only supports output devices such as headphones and speakers. It is not possible to connect microphones or other input devices to this port. Headphones with built in microphones can be connected to this port, however the microphone will not function.

To send audio from your computer to the display speakers or connected audio device, select "32C4KPD" as the audio destination in your computer's sound settings.

OSD Menu

The OSD (On-Screen Display) lets you adjust the settings on your monitor.

1. Press **2** to enter the OSD menu.
2. Press **3** or **4** to browse functions.
 - Highlight the desired function, then press **2** to enter the sub-menu.
 - Press **3** or **4** to browse sub-menus, then press **2** to highlight the desired function.
 - Press **3** or **4** to highlight an option, then press **2** to confirm the settings and exit the current screen.
3. Press **3** or **4** to adjust the setting, then press **2** to confirm your changes and exit.

Professional

Options for switching between Clarity's colour modes, adjusting the gamma, colour temperature, sharpness, hue, saturation and dynamic brightness function.

OSD Settings

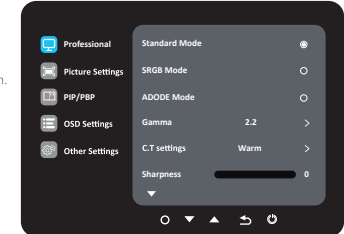
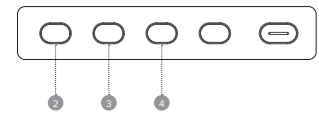
Options for adjusting the appearance of Clarity's menu (On-Screen Display or OSD), including its language. You can also change the function of Clarity's hotkeys.

Picture Settings

Options for adjusting Clarity's brightness, contrast, high dynamic range, dynamic contrast and aspect ratio. You can also swap Clarity's picture between different presets, such as reading or movie modes.

Other Settings

Options for adjusting Clarity's input signal, audio, USB ports, dynamic brightness adjustment and power-saving functions.



PIP/PBP

Options for enabling and configuring Clarity's picture-in-by-picture modes, for showing multiple inputs at once.

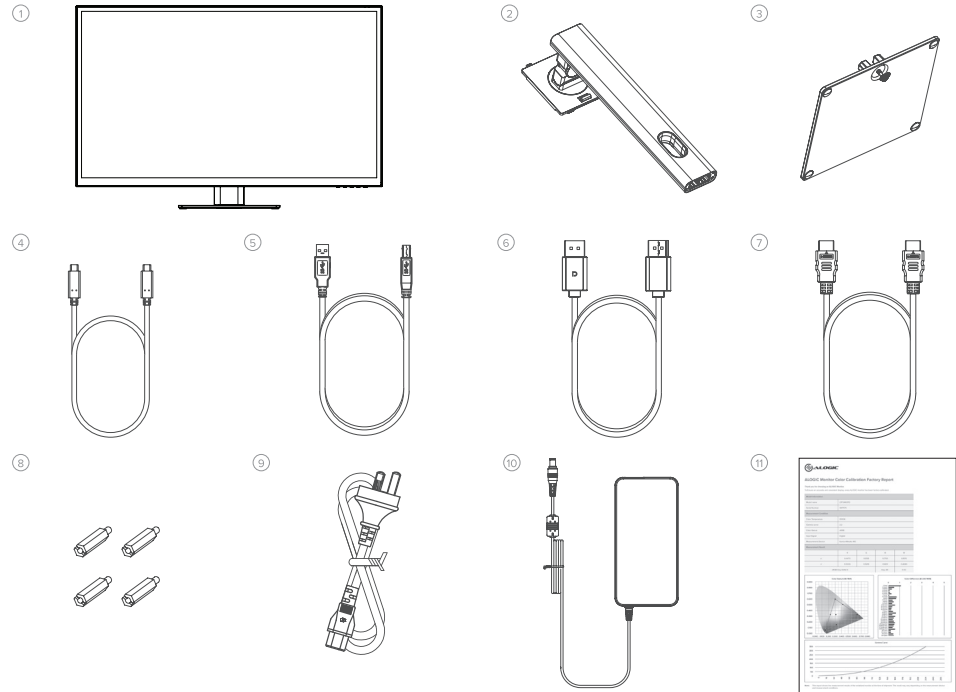


Troubleshooting

Symptom	Solution
The power button does not light up when pressed	<ul style="list-style-type: none"> Verify that the mains power cord is securely attached to the power adapter, is connected to a power outlet and the power outlet is switched on. Verify that the power adapter is securely connected to the rear of the monitor.
The power button lights up, but nothing is displayed on the screen	<ul style="list-style-type: none"> Disconnect the power adapter from the Monitor and reconnect in 2-3 minutes. Press and hold the power button for 5 seconds to reset the monitor settings. Contact ALOGIC Support if the points above do not work.
Monitor does not show HDMI or DisplayPort video from the computer	<ul style="list-style-type: none"> Check that an appropriate video cable is connected between the computer and display and the correct input is selected on the monitor. Check your computer's settings to verify that it is detecting the monitor and is outputting video to it.
Monitor does not show USB-C video from the computer	<ul style="list-style-type: none"> Verify that you are using the USB-C cable that came with the monitor. Check your computer's settings to verify that it is detecting the monitor and is outputting video to it. Check that the USB-C port on your computer that the monitor is connected to supports video output using DisplayPort Alternate Mode (DP Alt. Mode).
Laptop computer does not charge when connected to the monitor using USB-C	<ul style="list-style-type: none"> Verify that the USB-C port on your computer supports charging using the USB Power Delivery (USB-PD) standard. Some laptops require more than 65W of power to charge. These tend to be high end graphics and gaming focused computers. If necessary, connect the power adapter that came with the computer to your laptop in addition to the USB-C cable that is connected to the monitor.

Warnings

- Only use the monitor indoors in dry locations. Do not use the monitor in damp places or near water sources such as in bathrooms and kitchens.
- Store and use in a cool, dry, ventilated place. Do not place close to heat sources or in direct sunlight.
- Ensure that the equipment is installed on a flat, stable surface. If placed on an uneven or unsteady surface the monitor may fall and be damaged, cause personal injury or damage other items.
- It is normal for the device to be slightly warm to touch during operation. Provide adequate ventilation and do not cover the device while in operation.
- Do not cover or block the ventilation holes on the rear cover of the monitor. Do not use on a bed, sofa, blanket or similar where the monitor may fall over or become covered.
- The acceptable electrical supply voltage and frequency ranges are indicated on the label on the rear cover of the monitor. Do not connect the monitor to power sources which fall outside these limits.
- If the device will not be used for weeks or months, it is recommended that the power be disconnected to save energy and protect the equipment from damage caused by lightning strike induced power surges if a thunderstorm occurs.
- Do not insert foreign objects into the ventilation holes in the cover of the monitor as damage, fire or electric shock could occur.
- The monitor contains no user serviceable parts. Disassembling or attempting to repair this product yourself will void the warranty and expose you to the risk of electric shock. If you suspect a fault with the device, please contact the seller you purchased the product from or ALOGIC after sales support for assistance.
- Do not use the product if it becomes damaged as this could pose a risk of causing damage to connected devices and expose you to electric shock.
- Do not crush, cut, pull or twist the mains power cord excessively. If the power cord becomes damaged do not use the product until a replacement power cord can be obtained. Using a damaged power cord may result in electric shock.
- Do not spray liquids on the monitor. Do not use chemicals such as solvents on the surface of the monitor. Clean the monitor only by wiping with a clean, dry, soft, scratch-avoiding microfibre cloth.
- Disassembling or failing to properly use and care for your device will void the warranty on the product.
- ALOGIC bears no responsibility for damage to the device or incidental damages arising from improper use or lack of care and is not liable for repair/replacement of the device or other damages in these circumstances.



Inhalt der Verpackung

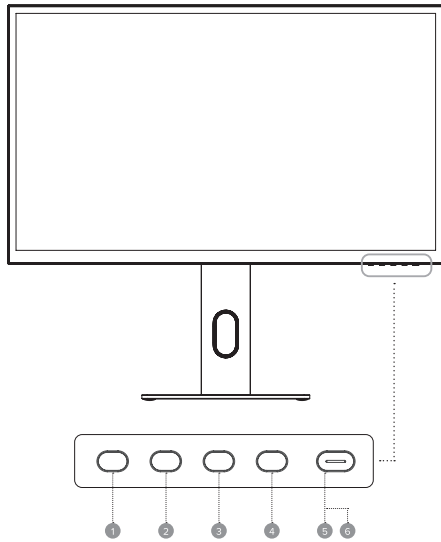
1	Clarity Max 32" Monitor
2	Ständerstab
3	Basis des Ständers
4	USB-C-zu-USB-C-Kabel (USB3.2 - Gen1)
5	USB-A auf USB-B-Kabel
6	DisplayPort-zu-DisplayPort-Kabel

7	HDMI-zu-HDMI-Kabel
8	Schrauben x 4 (für die Wandbefestigung)
9	Netzkabel (AC 100-240V, 50/60Hz)
10	Adapter für das Netzteil
11	Farbkalibrierungsbericht

Eigenschaften

Modell	32C4KPD - Clarity Max
Größe des Bildschirms	32"
Abmessungen des Bildschirms	Mit Ständer: 726x481x250mm (WxHxT) Ohne Ständer: 726x428x57mm (WxHxT)
Gewicht	Mit Ständer: 9,8 kg Ohne Ständer: 6,5 kg
Material	ABS, Glass, Aluminium
Elektrischer Adapter	Eingang: AC 100-240V~, 50/60Hz Ausgang: DC 19V $\overline{\text{=}}$ 7,89A, 150W (Max)
Seitenverhältnis	16:9
Helligkeit	350cd/m2 (Typ.), 320cd/m2 (Min.)
Panel	IPS
Auflösung	DP1.4: 3840*2160@60Hz HDMI2.0: 3840*2160@60Hz
Bildwiederholungsrate	60Hz

Betrachtungswinkel	178°(H) / 178°(V)
Kontrastverhältnis	3000:1
VESA-Montage	100 x 100mm
Farben der Anzeige	16.7M
Schnittstelle	1x DP 1.4, 2x HDMI 2.0, 1x Type-C, 2x USB-A, 1x USB-B, 1x Audioausgang
Audio	Lautsprecher: 5Wx2 Audioausgang: Ja
Geringes blaues Licht	Ja
Flimmerfrei	Ja
USB-C PD Stromversorgung	Bis zu 65W Stromversorgung zum Hostcomputer



Steuerungen des Monitors

1	Menü: Drücken Sie, um das OSD-Menü anzuzeigen und in die Untermenüs zu gelangen.
2	Oben/Links: Drücken Sie, um sich in den Menüs nach oben/links zu bewegen.
3	Unten/Rechts: Drücken Sie, um sich in den Menüs nach unten/rechts zu bewegen.
4	Beenden: Drücken Sie, um das OSD-Menü zu verlassen.
5	Ein/Aus: Drücken Sie, um den Monitor ein-/auszuschalten.
6	LED-Anzeige und Ein/Aus-Taste

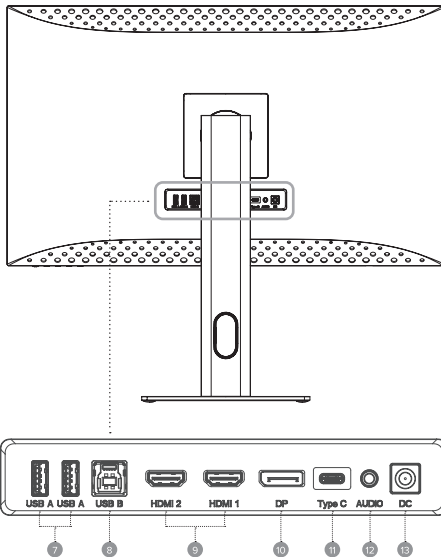
Anzeige

Die LED-Anzeige leuchtet konstant weiß, um anzuzeigen, dass die Stromversorgung eingeschaltet ist und der Monitor normal funktioniert. Eine stetig blau leuchtende LED zeigt an, dass keine Videoquelle vorhanden ist, ein ungültiges Signal vorliegt oder eine niedrige Spannung erkannt wurde. Vergewissern Sie sich, dass Ihr Computer eingeschaltet ist und dass alle Videokabel vollständig eingesteckt oder angeschlossen sind.

Weiß		Normaler Betrieb
Blau		Keine Videoquelle Ungültiges Signal Eine niedrige Spannung wird erkannt

Monitoranschlüsse

7	USB-A-Anschlüsse
8	USB-B-Anschluss
9	HDMI-Anschlüsse
10	Display-Anschluss
11	USB-C-Anschluss
12	Audioausgang für Kopfhörer oder strombetriebene Lautsprecher.
13	Eingang für Stromversorgung



Auspacken und Zusammenbau

Bevor Sie den Monitor auspacken, vergewissern Sie sich, dass die Box auf einer ebenen, freien Fläche steht.

- Öffnen Sie den Deckel der Monitorbox, nehmen Sie die obere Styroporplatte mit dem Ständer heraus und legen Sie sie beiseite.
- Öffnen Sie die weiche Tasche, die den Monitor schützt, um die Stelle freizulegen, an der der Ständer an der Rückseite des Monitors befestigt ist. Lassen Sie den Monitor auf der Styroporplatte liegen, damit er beim Anbringen des Ständers nicht beschädigt wird.
- Führen Sie den oberen Teil des Monitorständers in die Halterung auf der Rückseite des Monitors ein und drücken Sie den Ständer nach unten, bis er einrastet. Üben Sie nicht zu viel Kraft aus, um den Monitor nicht zu beschädigen.
- Ziehen Sie den Monitor vorsichtig aus der Styroporschale und legen Sie ihn auf den Schreibtisch, um ihn zu verwenden.

Achtung: Üben Sie keinen Druck auf den Anzeigebereich des Monitors aus, wenn Sie den Monitor zusammenbauen oder bewegen. Der Bildschirm ist zerbrechlich, und jeglicher Druck auf den Bildschirm kann ihn zerbrechen.

Bewahren Sie den Monitorkarton und die Styroporverpackung für den späteren Transport und die Lagerung des Monitors auf.

Achtung: Vergewissern Sie sich, dass der Ständer eingerastet ist, bevor Sie den Monitor anheben.



Montageoptionen

Der Monitor verfügt über 100 x 100 mm große Befestigungslöcher, mit denen er an jedem kompatiblen 100-mm-VESA-Standard-Monitorarm oder Wandmontagezubehör (nicht im Lieferumfang enthalten) befestigt werden kann.

Die Befestigungslöcher sind in den Bereich auf der Rückseite des Monitors eingelassen, an dem der Standfuß befestigt wird, und werden durch den Standfuß verdeckt, wenn er installiert ist. VESA-Halterungen können nicht mit dem Monitor verwendet werden, wenn der Standfuß angebracht ist.

Im Lieferumfang des Monitors sind Abstandshalter mit M4-Gewinde enthalten, die bei der Montage des Monitors an einem Monitorarm oder einer anderen Halterung verwendet werden müssen. Befestigen Sie den Monitor wie folgt an einem VESA-Montagezubehör.

- Legen Sie den Monitor mit der Vorderseite nach unten in seine Styropor-Verpackungsschale.
 - Versuchen Sie nicht, den Bildschirm beim Anbringen des Montagezubehörs auf eine unebene Oberfläche zu legen, auch nicht auf weiche Oberflächen wie Teppiche oder Sitzmöbel - der Bildschirm könnte beschädigt werden.
 - Suchen Sie die Montageabstandshalter in der Zubehörtasche, die dem Monitor beiliegt. Legen Sie den Monitor in die Styroporablage und schrauben Sie die vier Abstandshalter in die Löcher in der Aussparung, an der der Standfuß befestigt ist. Ziehen Sie die Abstandshalter nicht zu fest an - wenn Sie sie zu fest anziehen, kann der Monitor beschädigt werden.
 - Schrauben Sie das VESA-Montagezubehör in die Montageabstandshalter.
- Achtung:** Üben Sie beim Anbringen des Montagezubehörs keinen Druck auf die Rückseite des Monitors aus - ein Druck nach unten auf den Bildschirm kann Risse oder andere Schäden verursachen.

Achten Sie darauf, dass an allen Seiten des Monitors ein Abstand von 50 mm eingehalten wird, um eine Überhitzung des Monitors zu vermeiden.



Demontage und Lagerung

Bevor Sie den Monitor auseinanderbauen, vergewissern Sie sich, dass der Karton auf einer ebenen und freien Fläche steht.

- Öffnen Sie den Deckel der Monitorbox, nehmen Sie die obere Styroporplatte heraus und legen Sie sie beiseite.
- Legen Sie die weiche Tasche auf den Monitor und legen Sie sie mit der Vorderseite nach unten in die Styroporschale des Kartons. Achten Sie darauf, dass die Tasche flach am Bildschirm des Monitors anliegt, nicht in sich zusammengefallen ist und nicht gestapelt wird. Wenn die Tasche zu stark unter den Monitorbildschirm gefaltet wird, kann der Bildschirm beschädigt werden, wenn er in die Box gelegt wird.
- Öffnen Sie die Tasche, um zu sehen, wo der Monitor am Ständer befestigt ist. Drücken Sie die Verriegelung des Monitorständers in Richtung der Oberkante des Monitors und heben Sie die Basis des Ständers nach oben, um den Ständer vom Monitor zu lösen.
- Schließen Sie den Beutel und falten Sie ihn sauber über die Rückseite des Monitors. Legen Sie die obere Styroporschale auf den Monitor im Karton.
- Lösen Sie die Schraube, trennen Sie den Sockel vom Standfuß und legen Sie beide Teile in die obere Styroporschale.



Anschließen des Monitors

Anschließen des Netzkabels

Schließen Sie das mitgelieferte Netzkabel an den Netzanschluss an, und stecken Sie das andere Ende in eine Steckdose.

Anschließen einer Videoquelle

Der Monitor verfügt über vier Videoeingänge, die gleichzeitig angeschlossen werden können. Um einen Computer oder ein anderes Quellgerät anzuschließen, stecken Sie eines der mitgelieferten HDMI-, DisplayPort- oder USB-C-Kabel in den Computer und in einen entsprechenden Anschluss am Monitor.

Hinweise:

- Der USB-C-Anschluss liefert bis zu 65 W Strom an Computer, die USB Power Delivery (USB PD) unterstützen. Dadurch kann der Computer Videos auf dem Monitor anzeigen, während er über ein einziges Kabel aufgeladen wird. Daher ist der USB-C-Anschluss die beste Option, wenn Ihr Computer über diese Fähigkeit verfügt.
- Je nach den Fähigkeiten des Computers ist er möglicherweise nicht in der Lage, 4K mit einer vollen Bildwiederholrate von 60 Hz bereitzustellen, wenn er über HDMI an den Monitor angeschlossen ist. Die USB-C- oder DisplayPort-Verbindung sollte als erste Präferenz verwendet werden, wenn der Computer diese Verbindungstypen unterstützt.
- Nicht alle USB-C-Anschlüsse an Computern unterstützen die Videoausgabe und/oder das Aufladen über USB PD. Wenn Ihr Computer kein Video auf dem Monitor anzeigen oder den Ladevorgang nicht startet, wenn er über USB-C mit dem Monitor verbunden ist, überprüfen Sie, ob der USB-C-Anschluss am Computer die Videoausgabe über DisplayPort Alternate Mode und das Laden über USB PD unterstützt.
- Nicht alle USB-C-Kabel unterstützen die Videoübertragung oder das Aufladen mit mehr als 60 W. Es wird empfohlen, das mit dem Monitor gelieferte USB-C-Kabel zu verwenden, um mögliche Probleme mit separat erworbenen Kabeln zu vermeiden.

Audio-Ausgang

Das Display verfügt über eingebaute Lautsprecher und eine Audioausgangsbuchse, an die Kopfhörer und externe Lautsprecher angeschlossen werden können. Wenn ein externes Audiogerät angeschlossen ist, werden die eingebauten Lautsprecher des Displays deaktiviert.



Anschließen von Audiogeräten

Der Audioanschluss des Monitors unterstützt nur Ausgabegeräte wie Kopfhörer und Lautsprecher. Es ist nicht möglich, Mikrofone oder andere Eingabegeräte an diesen Anschluss anzuschließen. Kopfhörer mit eingebautem Mikrofon können an diesen Anschluss angeschlossen werden, das Mikrofon funktioniert dann jedoch nicht.

Um Audiosignale von Ihrem Computer an die Display-Lautsprecher oder ein angeschlossenes Audiogerät zu senden, wählen Sie in den Toneinstellungen Ihres Computers "32C4KPD" als Audioziel aus.



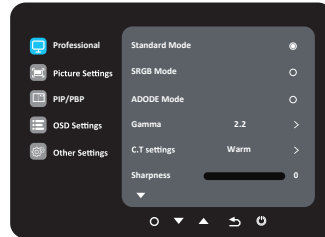
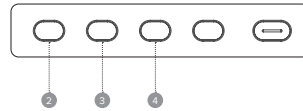
Anschließen von USB-Geräten

Der Bildschirm verfügt über zwei USB-Anschlüsse des Typs A, über die USB-Peripheriegeräte wie Tastatur, Maus oder Webcam an den Computer angeschlossen werden können. Damit der Computer die an diesen Anschlüssen angeschlossenen Geräte erkennen kann, muss der Computer an einen (oder beide) der USB-C- und/oder USB-B-Anschlüsse angeschlossen sein.

Hinweise:

- Wenn der Computer nur mit dem USB-C-Anschluss des Displays verbunden ist, arbeiten die Anschlüsse mit USB 2.0-Geschwindigkeit, da der Videoverkehr das USB-C-Kabel mit den USB-Daten teilt. Diese Geschwindigkeit ist für die meisten Peripheriegeräte wie Tastaturen, Mäuse und Webcams ausreichend.

- Wenn der Computer mit dem USB-B-Anschluss des Displays verbunden ist, arbeiten die Anschlüsse mit USB 3.0-Geschwindigkeit. Dies ist vorteilhaft, wenn Sie Hochgeschwindigkeits-Speichergeräte wie externe Festplatten und USB-Flash-Laufwerke verwenden.



OSD-Menü

Über das OSD (On-Screen-Display) können Sie die Einstellungen Ihres Monitors anpassen.

- Drücken Sie **1** um das OSD-Menü aufzurufen.
- Drücken Sie **2** oder **3**, um durch die Funktionen zu blättern.
 - Markieren Sie die gewünschte Funktion, und drücken Sie dann **4** um das Untermenü aufzurufen.
 - Drücken Sie **2** oder **3** um die Untermenüs zu durchsuchen, und drücken Sie dann **4** um die gewünschte Funktion zu markieren.
 - Drücken Sie **2** oder **3** um eine Option zu markieren, und drücken Sie dann **4** um die Einstellungen zu bestätigen und den aktuellen Bildschirm zu verlassen.
- Drücken Sie **2** oder **3** um die Einstellung anzupassen, und drücken Sie dann **4** um Ihre Änderungen zu bestätigen und den Bildschirm zu verlassen.

Fachmann

Optionen zum Umschalten zwischen den Farbmodi von Clarity, zum Anpassen von Gamma, Farbtemperatur, Schärfe, Farbton, Sättigung und dynamischer Helligkeitsfunktion.

Bildeinstellungen

Optionen zum Anpassen von Helligkeit, Kontrast, hohem Dynamikbereich, dynamischem Kontrast und Seitenverhältnis von Clarity. Sie können das Bild von Clarity auch zwischen verschiedenen Voreinstellungen wechseln, z. B. dem Lese- oder Filmmodus.

PIP/PBP

Optionen zum Aktivieren und Konfigurieren der Bild-in-Bild-für-Bild-Modi von Clarity, um mehrere Eingaben gleichzeitig anzuzeigen.

OSD-Einstellungen

Optionen zum Anpassen des Erscheinungsbilds des Clarity-Menüs (On-Screen-Display oder OSD), einschließlich seiner Sprache. Sie können auch die Funktion der Hotkeys von Clarity ändern.

Andere Einstellungen

Optionen zum Anpassen von Clarity Eingangssignal, Audio, USB-Anschlüssen, dynamischer Helligkeitsanpassung und Energiesparfunktionen.

Fehlersuche

Symptom	Lösung
Die Einschalttaste leuchtet nicht auf, wenn sie gedrückt wird	<ul style="list-style-type: none"> Vergewissern Sie sich, dass das Netzkabel fest mit dem Netzteil verbunden ist, an eine Steckdose angeschlossen ist und die Steckdose eingeschaltet ist. Vergewissern Sie sich, dass der Netzadapter fest mit der Rückseite des Monitors verbunden ist.
Die Einschalttaste leuchtet auf, aber auf dem Bildschirm wird nichts angezeigt	<ul style="list-style-type: none"> Trennen Sie den Netzadapter vom Monitor und schließen Sie ihn nach 2-3 Minuten wieder an. Halten Sie die Einschalttaste 5 Sekunden lang gedrückt, um die Monitoreinstellungen zurückzusetzen. Wenden Sie sich an den ALOGIC-Support, wenn die oben genannten Punkte nicht funktionieren.
Der Monitor zeigt kein HDMI- oder Display-Port-Video vom Computer an	<ul style="list-style-type: none"> Vergewissern Sie sich, dass ein geeignetes Videokabel zwischen Computer und Monitor angeschlossen und der richtige Eingang am Monitor ausgewählt ist. Überprüfen Sie die Einstellungen Ihres Computers, um sicherzustellen, dass er den Monitor erkennt und Video an ihn ausgibt.
Der Monitor zeigt kein USB-C-Video vom Computer an	<ul style="list-style-type: none"> Vergewissern Sie sich, dass Sie das USB-C-Kabel verwenden, das mit dem Monitor geliefert wurde. Überprüfen Sie die Einstellungen Ihres Computers, um sicherzustellen, dass er den Monitor erkennt und Video an ihn ausgibt. Überprüfen Sie, ob der USB-C-Anschluss an Ihrem Computer, an den der Monitor angeschlossen ist, die Videoausgabe über den DisplayPort-Alternativmodus (DP Alt. Mode) unterstützt.
Der Laptop-Computer wird nicht aufgeladen, wenn er über USB-C an den Monitor angeschlossen ist	<ul style="list-style-type: none"> Stellen Sie sicher, dass der USB-C-Anschluss an Ihrem Computer das Aufladen mit dem USB Power Delivery (USB-PD)-Standard unterstützt. Einige Laptops benötigen mehr als 65 W zum Aufladen. Dies sind in der Regel High-End-Grafik- und Gaming-Computer. Verbinden Sie bei Bedarf zusätzlich zum USB-C-Kabel, das mit dem Monitor verbunden ist, das mit dem Computer gelieferte Netzteil mit Ihrem Laptop.

Warnungen

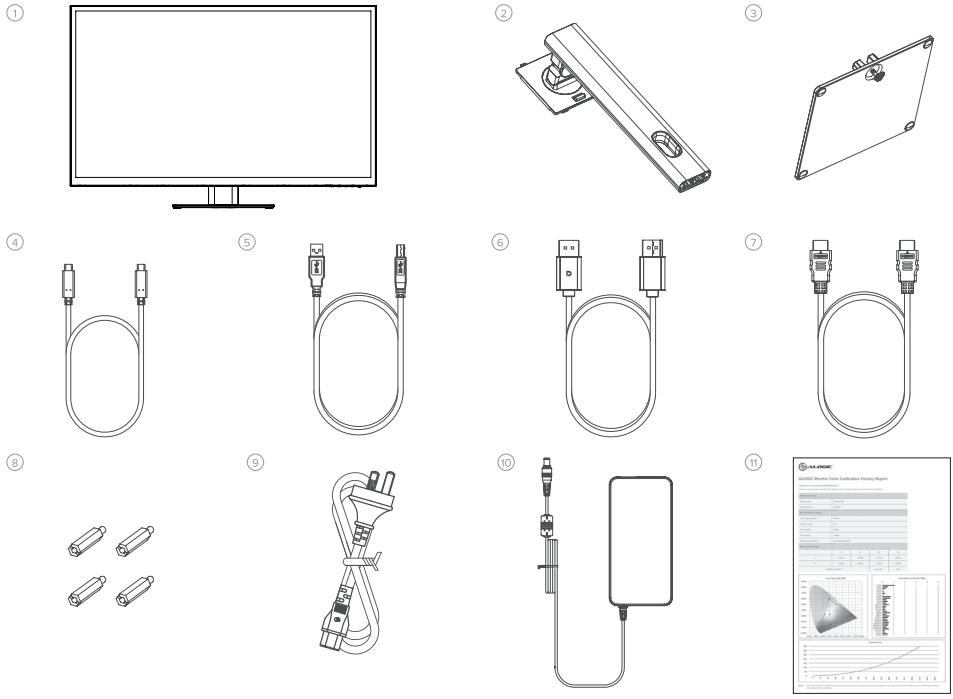
- Verwenden Sie den Monitor nur in trockenen Innenräumen. Verwenden Sie den Monitor nicht an feuchten Orten oder in der Nähe von Wasserquellen wie in Badezimmern und Küchen.
- An einem kühlen, trockenen und belüfteten Ort lagern und verwenden. Nicht in der Nähe von Wärmequellen oder in direktem Sonnenlicht aufstellen.
- Stellen Sie sicher, dass das Gerät auf einer ebenen, stabilen Oberfläche installiert wird. Wenn der Monitor auf einer unebenen oder instabilen Oberfläche aufgestellt wird, kann er herunterfallen und beschädigt werden. Verletzungen verursachen oder andere Gegenstände beschädigen.
- Es ist normal, dass sich das Gerät während des Betriebs etwas warm anfühlt. Sorgen Sie für ausreichende Belüftung und decken Sie das Gerät während des Betriebs nicht ab.
- Verdecken oder blockieren Sie nicht die Lüftungsöffnungen an der hinteren Abdeckung des Monitors. Verwenden Sie es nicht auf einem Bett, Sofa, einer Decke oder ähnlichem, wo der Monitor umfallen oder abgedeckt werden könnte.
- Die zulässige elektrische Versorgungsspannung und die Frequenzbereiche sind auf dem Etikett auf der Rückseite des Monitors angegeben. Schließen Sie den Monitor nicht an Stromquellen an, die außerhalb dieser Grenzen liegen.
- Wenn das Gerät wochen- oder monatelang nicht verwendet wird, wird empfohlen, die Stromversorgung zu unterbrechen, um Energie zu sparen und das Gerät vor Schäden durch Blitzentschläge bei Gewitter zu schützen.
- Führen Sie keine Fremdkörper in die Lüftungsöffnungen in der Abdeckung des Monitors ein, da dies zu Beschädigungen, Feuer oder elektrischen Schlägen führen könnte.
- Der Monitor enthält keine vom Benutzer zu wartenden Teile. Das Zerlegen oder der Versuch, dieses Produkt selbst zu reparieren, führt zum Erlöschen der Garantie und setzt Sie dem Risiko eines Stromschlags aus. Wenn Sie einen Fehler am Gerät vermuten, wenden Sie sich bitte an den Verkäufer, bei dem Sie das Produkt gekauft haben, oder an den ALOGIC-Kundendienst, um Unterstützung zu erhalten.
- Verwenden Sie das Produkt nicht, wenn es beschädigt ist, da dies ein Risiko darstellen könnte, angeschlossene Geräte zu beschädigen und Sie einem Stromschlag auszusetzen.
- quetschen, schneiden, ziehen oder verdrehen Sie das Netzkabel nicht übermäßig. Wenn das Netzkabel beschädigt ist, verwenden Sie das Produkt nicht, bis ein Ersatzkabel beschafft werden kann. Die Verwendung eines beschädigten Netzkabels kann zu einem Stromschlag führen.
- Sprühen Sie keine Flüssigkeiten auf den Monitor. Verwenden Sie keine Chemikalien wie Lösungsmittel auf der Oberfläche des Monitors. Reinigen Sie den Monitor nur durch Abwischen mit einem sauberen, trockenen, weichen, kratzfreien Mikrofasertuch.
- Wenn Sie Ihr Gerät zerlegen oder nicht ordnungsgemäß verwenden und pflegen, erlischt die Garantie für das Produkt.
- ALOGIC übernimmt keine Verantwortung für Schäden am Gerät oder zufällige Schäden, die durch unsachgemäßen Gebrauch oder mangelnde Sorgfalt entstehen, und haftet unter diesen Umständen nicht für Reparatur/Austausch des Geräts oder andere Schäden.



Dieses Gerät entspricht Teil 15 der FCC-Bestimmungen. Der Betrieb unterliegt den folgenden zwei Bedingungen:
 (1)Dieses Gerät darf keine schädlichen Störungen verursachen,
 (2)Dieses Gerät muss alle empfangenen Störungen akzeptieren, einschließlich Störungen, die einen unerwünschten Betrieb verursachen können.
 CAN ICES-3 (B)/NMB-3(B)



Die Begriffe HDMI und HDMI High-Definition Multimedia Interface und das HDMI-Logo sind Warenzeichen oder eingetragene Warenzeichen von HDMI Licensing Administrator, Inc. in den Vereinigten Staaten und anderen Ländern.



Contenido del paquete

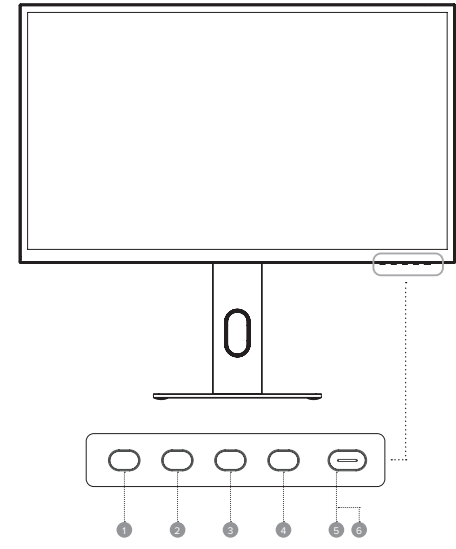
1	Monitor Clarity Max 32" UHD 4K
2	Soporte
3	Base de soporte
4	Cable USB-C a USB-C (USB3.2 - Gen1)
5	Cable USB-A a USB-B de
6	Cable de DisplayPort a DisplayPort

7	Cable HDMI a HDMI
8	4 tornillos (para montaje en pared)
9	Cable de alimentación (CA 100-240 V, 50/60 Hz)
10	Adaptador de corriente
11	Informe de calibración de color

Especificaciones

Modelo	32C4KPD - Clarity Max
Tamaño de la pantalla	32"
Dimensiones	Con soporte: 726x481x250mm (AnxAlxPr) Sin soporte: 726x428x57mm (AnxAlxPr)
Peso	Con soporte: 9,8 kg Sin soporte: 6,5 kg
Material	ABS, Cristal, Aluminio
Adaptador de corriente	Entrada: AC 100-240V~, 50/60Hz Salida: DC 19V ~~~ 7,89A, 150W (Max)
Relación de aspecto	16:9
Brillo	350cd/m2 (Typ.), 320cd/m2(Min.)
Panel	IPS
Resolución	DP1.4: 3840*2160@60Hz HDMI2.0: 3840*2160@60Hz
Frecuencia de actualización	60Hz

Ángulo de visión	178°(H) / 178°(V)
Relación de contraste	3000:1
Montaje VESA	100 x 100mm
Colores de pantalla	16,7 millones
Interfaz	1x DP 1.4, 2x HDMI 2.0, 1x Tipo-C, 2x USB-A, 1x USB-B, 1x salida de audio
Audio	Altavoces 5Wx2 Salida de audio: Sí
Luz azul baja	Sí
Sin parpadeos	Sí
Carga del ordenador portátil del USB PD	Hasta 65 W de potencia para la computadora host



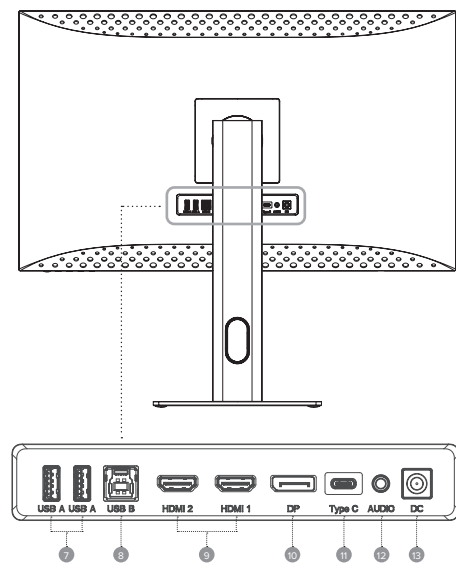
Controles del monitor

1	Menú: Pulse para mostrar el menú OSD y entrar en los submenús
2	Arriba/Izquierda: Pulse para moverse arriba/izquierda en los menús
3	Abajo/Derecha: Pulse para desplazarse hacia abajo/derecha en los menús
4	Salir: Pulse para salir del menú OSD
5	Encendido: Pulse para encender/apagar el monitor
6	Indicador LED y botón de encendido

Indicador luminoso

El indicador luminoso blanco fijo indica que la alimentación está conectada y que el monitor funciona con normalidad. La luz azul fija indica que no hay fuente de vídeo, que se ha detectado una señal no válida o una tensión baja. Asegúrese de que el ordenador está encendido y de que todos los cables de vídeo están bien enchufados o conectados.

Blanco	Funcionamiento normal
Azul	No hay fuente de vídeo Señal no válida Se detecta baja tensión



Puertos del monitor

7	Puertos USB-A
8	Puerto USB-B
9	Puertos HDMI
10	Puerto DisplayPort
11	Puerto USB-C
12	Salida de audio para auriculares o altavoces
13	Entrada de alimentación



Consulte los diagramas de las páginas 6 y 7



Desembalaje y montaje

Antes de desembalar el soporte, asegúrese de que la caja está colocada sobre una superficie plana y despejada.

1. Abra la tapa de la caja del monitor, retire la bandeja superior de espuma de poliestireno que contiene el soporte y colóquela a un lado.
2. Abra la bolsa blanda que protege el monitor para ver dónde se fija el soporte en la parte posterior del monitor. Deje el monitor en la bandeja de espuma de poliestireno para evitar dañarlo mientras instalas el soporte.
3. Inserte la parte superior del soporte del monitor en la montura de la parte posterior del monitor y presione hacia abajo el soporte hasta que encaje en su sitio. No ejerza demasiada fuerza para no dañar el monitor.
4. Saque con cuidado el monitor de la bandeja de espuma de poliestireno y colóquelo sobre el escritorio listo para su uso.

! Advertencia: No ejerza presión sobre la zona de visualización del monitor mientras lo monta o lo mueve. La pantalla es frágil y si se aplica fuerza sobre ella se romperá.

Conservar la caja del monitor y el embalaje de espuma de poliestireno para el futuro transporte y almacenamiento del monitor.

! Advertencia: Asegúrese de que el soporte ha encajado en su sitio antes de levantar el monitor.



Opciones de montaje

El monitor dispone de orificios de montaje espaciados 100 x 100 mm que permiten montarlo en cualquier brazo de monitor o accesorio de montaje en pared compatible con el estándar VESA de 100 mm (no incluido).

Estos agujeros se encuentran en la zona de la parte posterior del monitor donde se fija el soporte y quedan ocultos por éste cuando está instalado. Los soportes VESA no se pueden utilizar con el monitor mientras el soporte esté montado.

Con el monitor se incluyen separadores de montaje roscados M4 que deben utilizarse al montar el monitor en un brazo de monitor u otro soporte. Monte el monitor en un accesorio de montaje VESA de la siguiente manera.

1. Coloque el monitor boca abajo en su bandeja de embalaje de espuma de poliestireno.

! No intente colocar la pantalla sobre ninguna superficie irregular, incluidas superficies blandas como alfombras y asientos, mientras coloca el accesorio de montaje, ya que podría dañarse.

2. Localice los espaciadores de montaje en la bolsa de accesorios que viene con el monitor. Con el monitor colocado en su bandeja de espuma de poliestireno, atornille los cuatro espaciadores en los orificios del hueco donde se fija el soporte. No apriete demasiado los espaciadores, ya que podrían dañar el monitor.

3. Atornille el accesorio de montaje VESA en los espaciadores de montaje.

! No ejerza presión sobre la parte posterior del monitor mientras coloca el accesorio de montaje, ya que la presión ejercida hacia abajo sobre la pantalla podría agrietarla o dañarla.

4. Saque con cuidado el monitor y el accesorio de montaje de la bandeja y colóquelos en su sitio.

Asegúrese de que haya 50 mm de espacio libre alrededor de todos los lados del monitor cuando esté instalado para garantizar que no se sobrecaliente.



Desmontaje y almacenamiento

Antes de desmontar el monitor, asegúrese de que la caja está colocada sobre una superficie plana y despejada.

1. Abra la tapa de la caja del monitor, retire la bandeja superior de espuma de poliestireno y colóquela a un lado.
2. Coloque la bolsa blanda sobre el monitor y colóquelo boca abajo en la bandeja de espuma de poliestireno de la caja. Asegúrese de que la bolsa quede plana contra la pantalla del monitor y que no esté doblada sobre sí misma ni amontonada. Si la bolsa se amontona demasiado debajo de la pantalla del monitor, ésta puede resultar dañada al colocarla en la caja.
3. Abra la bolsa para ver dónde se fija el monitor al soporte. Empuje el pestillo del soporte del monitor hacia el borde superior del monitor y levante la base del soporte hacia arriba para liberar el soporte del monitor.
4. Cierre la bolsa y pléguela cuidadosamente sobre la parte posterior del monitor. Coloque la bandeja superior de espuma de poliestireno encima del monitor en la caja.
5. Afloje el tornillo, separando la base del soporte y coloque ambas piezas en la bandeja superior de embalaje de espuma.



Conexión del monitor

Conexión del cable de alimentación

Conecte el cable de alimentación incluido al conector de alimentación y enchufe el otro extremo a una toma de corriente.

Conexión de una fuente de vídeo

El monitor incluye cuatro entradas de vídeo que pueden conectarse simultáneamente. Para conectar un ordenador u otro dispositivo fuente, enchufe uno de los cables HDMI, DisplayPort o USB-C incluidos en el ordenador y en un puerto correspondiente del monitor.

Notas:

- La conexión USB-C proporcionará hasta 65 W de potencia a los ordenadores compatibles con USB Power Delivery (USB PD). Esto permite que el ordenador muestre vídeo en el monitor mientras se carga a través de un único cable. Como resultado, el tipo de conexión USB-C es la mejor opción si tu ordenador tiene esta capacidad.
- Dependiendo de las capacidades del ordenador, es posible que no pueda proporcionar 4K a una frecuencia de actualización completa de 60 Hz si se conecta al monitor mediante HDMI. La conexión USB-C o DisplayPort debe utilizarse como primera preferencia si el ordenador admite estos tipos de conexión.
- No todos los puertos USB-C de los ordenadores admiten salida de vídeo y/o carga mediante USB PD. Si el ordenador no muestra vídeo en el monitor ni inicia la carga cuando se conecta al monitor mediante USB-C, compruebe que el puerto USB-C del ordenador admite la salida de vídeo DisplayPort Alternate Mode y la carga mediante USB PD.
- No todos los cables USB-C admiten la transferencia de vídeo o la carga por encima de 60 W. Se recomienda utilizar el cable USB-C suministrado con el monitor para evitar posibles problemas con cables que se hayan obtenido por separado.

Salida de audio

La pantalla incorpora altavoces y una toma de salida de audio para conectar auriculares y altavoces externos. Cuando se conecta un dispositivo de audio externo, los altavoces de la pantalla se desactivan.



Conexión de dispositivos de audio

El puerto de audio de la pantalla sólo admite dispositivos de salida como auriculares y altavoces. No es posible conectar micrófonos u otros dispositivos de entrada a este puerto. Los auriculares con micrófono incorporado pueden conectarse a este puerto, pero el micrófono no funcionará.

Para enviar audio desde el ordenador a los altavoces de la pantalla o al dispositivo de audio conectado, seleccione "32C4KPD" como destino de audio en la configuración de sonido del ordenador.



Conexión de dispositivos USB

La pantalla incluye dos puertos USB tipo A que pueden utilizarse para conectar al ordenador periféricos USB como un teclado, un ratón o una webcam. Para que el ordenador vea los dispositivos conectados a estos puertos, el ordenador debe estar conectado a uno de los puertos USB-C y/o USB-B (o a ambos).

Notas:

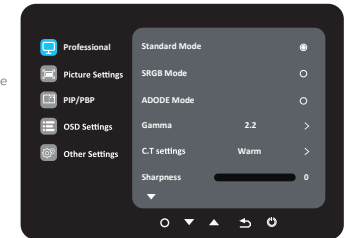
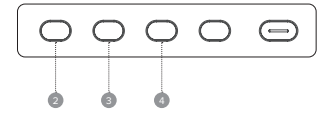
- Si el ordenador sólo está conectado al puerto USB-C de la pantalla, los puertos funcionarán a velocidades USB 2.0 porque el tráfico de vídeo comparte el cable USB-C con los datos USB. Esta velocidad es suficiente para la mayoría de los periféricos como teclados, ratones y webcams.

- Si el ordenador está conectado al puerto USB-B de la pantalla, los puertos funcionarán a velocidades USB 3.0. Esto es preferible si se utilizan dispositivos de alta velocidad. Esto es preferible si se utilizan dispositivos de almacenamiento de alta velocidad, como discos duros externos y unidades flash USB.

Menú OSD

El menú OSD (On-Screen Display) permite ajustar la configuración del monitor.

1. Pulse **2** para entrar en el menú OSD.
2. Pulse **3** o **4** para navegar por las funciones.
 - Marque la función deseada y pulse **2** para entrar en el submenú.
 - Pulse **3** o **4** para navegar por los submenús y, a continuación, pulse **2** para resaltar la función deseada.
 - Pulse **3** o **4** para resaltar una opción y, a continuación, pulse **2** para confirmar los ajustes y salir de la pantalla actual.
3. Pulse **3** o **4** para ajustar la configuración y, a continuación, pulse **2** para confirmar los cambios y salir.



Profesional

Opciones para cambiar entre los modos de color de Clarity, ajustar la gamma, la temperatura del color, la nitidez, el tono, la saturación y la función de brillo dinámico.

Configuración de imagen

Opciones para ajustar el brillo, el contraste, el alto rango dinámico, el contraste dinámico y la relación de aspecto de Clarity. También puedes intercambiar la imagen de Clarity entre diferentes ajustes preestablecidos, como los modos de lectura o película.

Configuración de OSD

Opciones para ajustar la apariencia del menú de Clarity (visualización en pantalla u OSD), incluido su idioma. También puedes cambiar la función de las teclas de acceso rápido de Clarity.

Otros ajustes

Opciones para ajustar la señal de entrada, el audio, los puertos USB, el ajuste dinámico del brillo y las funciones de ahorro de energía de Clarity.

PIP/PRP

Opciones para habilitar y configurar los modos de imagen en imagen/por imagen de Clarity, para mostrar múltiples entradas a la vez.

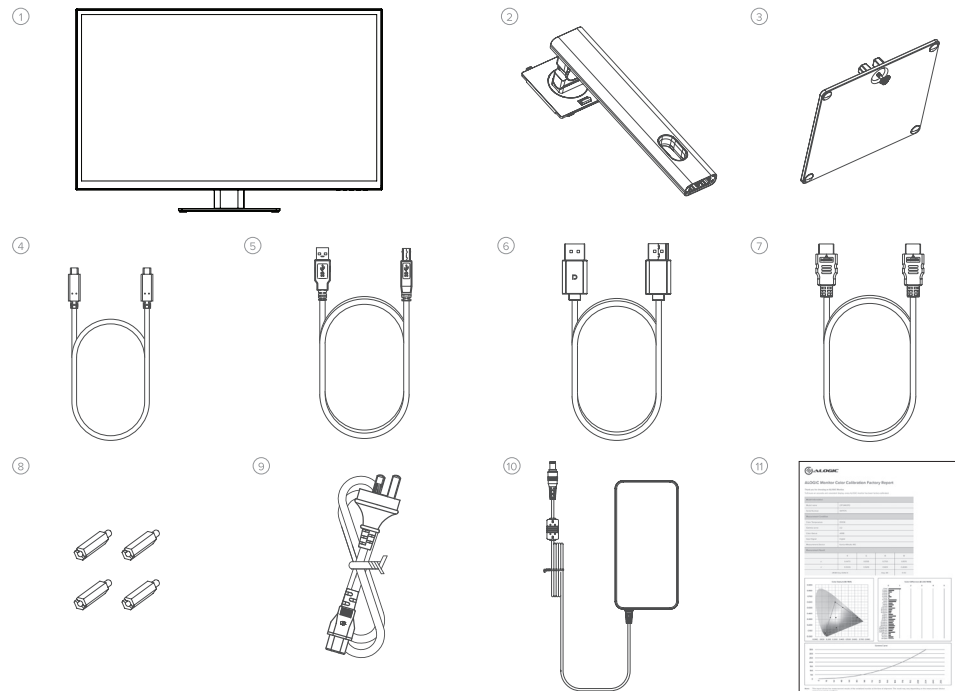


Solución de problemas

Sintoma	Solución
El botón de encendido no se enciende al pulsarlo	<ul style="list-style-type: none"> Compruebe que el cable de alimentación esté bien conectado al adaptador de corriente, que esté conectado a una toma de corriente y que la toma de corriente esté encendida. Compruebe que el adaptador de corriente está bien conectado a la parte posterior del monitor.
El botón de encendido se ilumina, pero no se muestra nada en la pantalla	<ul style="list-style-type: none"> Desconecte el adaptador de corriente del monitor y vuelva a conectarlo en 2-3 minutos. Mantenga pulsado el botón de encendido durante 5 segundos para restablecer la configuración del monitor. Póngase en contacto con el servicio de asistencia técnica de ALOGIC si los puntos anteriores no funcionan.
El monitor no muestra video HDMI o DisplayPort desde el ordenador	<ul style="list-style-type: none"> Compruebe que hay un cable de video adecuado conectado entre el ordenador y la pantalla y que está seleccionada la entrada correcta en el monitor. Compruebe la configuración del ordenador para verificar que detecta el monitor y le envía video.
El monitor no muestra video USB-C del ordenador	<ul style="list-style-type: none"> Compruebe que está utilizando el cable USB-C suministrado con el monitor. Compruebe la configuración del ordenador para verificar que detecta el monitor y le envía video. Compruebe que el puerto USB-C del ordenador al que está conectado el monitor admite la salida de video mediante el modo alternativo DisplayPort (modo alternativo DP).
El ordenador portátil no se carga cuando se conecta al monitor mediante USB-C	<ul style="list-style-type: none"> Compruebe que el puerto USB-C del ordenador admite la carga mediante el estándar USB Power Delivery (USB-PD). Algunos portátiles necesitan más de 65 W de potencia para cargarse. Suelen ser ordenadores de gama alta centrados en gráficos y juegos. Si es necesario, conecta el adaptador de corriente que viene con el ordenador a tu portátil además del cable USB-C que está conectado al monitor.

Advertencias

- Utiliza el monitor solo en interiores y en lugares secos. No utilices el monitor en lugares húmedos o cerca de fuentes de agua, como baños y cocinas.
- Guárdalo y utilízalo en un lugar fresco, seco y ventilado. No lo coloques cerca de fuentes de calor ni bajo la luz directa del sol.
- Asegúrese de que el equipo está instalado sobre una superficie plana y estable. Si se coloca sobre una superficie irregular o inestable, el monitor puede caerse y dañarse, provocar lesiones personales o dañar otros objetos.
- Es normal que el aparato esté ligeramente caliente al tacto durante su funcionamiento. Proporcione una ventilación adecuada y no cubra el aparato mientras esté en funcionamiento.
- No cubra ni bloquee los orificios de ventilación de la cubierta posterior del monitor. No lo utilice sobre una cama, sofá, manta o similar donde el monitor pueda caerse o quedar cubierto.
- Los rangos de tensión y frecuencia de alimentación eléctrica aceptables se indican en la etiqueta de la cubierta posterior del monitor. No conecte el monitor a fuentes de alimentación que estén fuera de estos límites.
- Si el aparato no se va a utilizar durante semanas o meses, se recomienda desconectarlo de la corriente para ahorrar energía y proteger el equipo de los daños causados por sobretensiones inducidas por rayos en caso de tormenta eléctrica.
- No introduzca objetos extraños en los orificios de ventilación de la cubierta del monitor, ya que podrían producirse daños, incendios o descargas eléctricas.
- El monitor no contiene piezas que el usuario pueda reparar. Si desmonta o intenta reparar este producto usted mismo, anulará la garantía y se expondrá al riesgo de sufrir una descarga eléctrica. Si sospecha que el aparato presenta algún fallo, póngase en contacto con el vendedor al que compró el producto o con el servicio postventa de ALOGIC para obtener ayuda.
- No utilice el producto si está dañado, ya que podría provocar daños en los dispositivos conectados y exponerle a una descarga eléctrica.
- No aplaste, corte, tire o retuerza excesivamente el cable de alimentación. Si el cable de alimentación se daña, no utilice el producto hasta que pueda obtener un cable de alimentación de repuesto. El uso de un cable de alimentación dañado puede provocar una descarga eléctrica.
- No rocíe líquidos sobre el monitor. No utilice productos químicos como disolventes en la superficie del monitor. Limpie el monitor únicamente con un paño de microfibra limpio, seco, suave y que no raye.
- Desmontar o no utilizar y cuidar adecuadamente su dispositivo anulará la garantía del producto.
- ALOGIC no se hace responsable de los daños al dispositivo o daños incidentales derivados de un uso inadecuado o falta de cuidado y no es responsable de la reparación / sustitución del dispositivo u otros daños en estas circunstancias.



Contenu de l'emballage

①	Moniteur Clarity Max 32"
②	Tige du support
③	Base du support
④	Câble USB-C à USB-C (USB3.2 - Gen1)
⑤	Câble USB-A à USB-B
⑥	Câble DisplayPort à DisplayPort

⑦	Câble HDMI vers HDMI
⑧	Vis x 4 (pour fixation murale)
⑨	Câble d'alimentation (AC 100-240V, 50/60Hz)
⑩	Adaptateur d'alimentation
⑪	Informe de calibración de color

Caractéristiques

Modèle	32C4KPD - Clarity Max
Taille de l'écran	32"
Dimensions de l'écran	Avec support : 726x481x250mm (LxHxP) Sans support : 726x428x57mm (LxHxP)
Poids	Avec support : 9,8 kg Sans support : 6,5 kg
Matériau	ABS, verre, aluminium
Adaptateur électrique	Entrée: AC 100-240V~, 50/60Hz Sortie: DC 19V $\overline{\text{---}}$ 7,89A, 150W (Max)
Rapport d'aspect	16:9
Luminosité	350cd/m2 (Typ.), 320cd/m2(Min.)
Panneau	IPS
Résolution	DP1.4: 3840*2160@60Hz HDMI2.0: 3840*2160@60Hz
Taux de rafraîchissement	60Hz
Angle de vision	178°(H) / 178°(V)

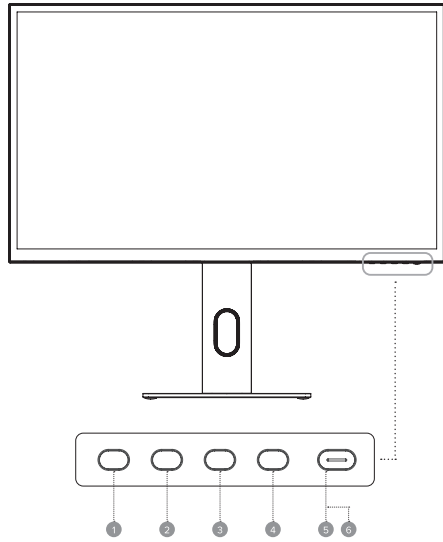
Rapport de contraste	3000:1
Montage VESA	100 x 100mm
Couleurs d'affichage	16.7M
Interface	1x DP 1.4, 2x HDMI 2.0, 1x Type-C, 2x USB-A, 1x USB-B, 1x sortie audio
Audio	Haut-parleurs: 5Wx2 Sortie audio: Yes
Faible lumière bleue	Oui
Sans scintillement	Oui
Chargement d'ordinateur portable USB PD	Jusqu'à 65W d'alimentation vers l'ordinateur hôte portable USB PD



Este dispositivo cumple la parte 15 de las normas de la FCC. Su funcionamiento está sujeto a las dos condiciones siguientes:
(1)Este dispositivo no puede causar interferencias perjudiciales.
(2)Este dispositivo debe aceptar cualquier interferencia recibida, incluyendo interferencias que puedan causar un funcionamiento no deseado.
CAN ICES-3 (B)/NMB-3(B)



Los términos HDMI y HDMI High-Definition Multimedia Interface, y el logotipo HDMI son marcas comerciales o marcas registradas de HDMI Licensing Administrator, Inc. en Estados Unidos y otros países.



Commandes du moniteur

1	Menu : Appuyez pour afficher le menu OSD et entrer dans les sous-menus
2	Haut/Gauche : appuyez pour vous déplacer vers le haut/la gauche dans les menus
3	Bas/Droite : Appuyez pour vous déplacer vers le bas/droite dans les menus
4	Quitter : appuyez pour quitter le menu OSD
5	Allimentation : Appuyez pour allumer/éteindre le moniteur
6	Indicateur LED et bouton d'alimentation

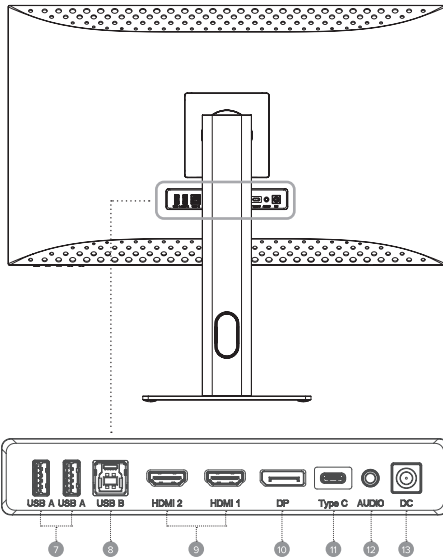
Voyant

Le voyant lumineux s'allume en blanc fixe pour indiquer que l'alimentation est allumée et que le moniteur fonctionne normalement. Le voyant bleu fixe indique qu'il n'y a pas de source vidéo, qu'un signal invalide ou qu'une basse tension est détectée. Assurez-vous que votre ordinateur est allumé et que tous les câbles vidéo sont complètement branchés ou connectés.

Blanc		Fonctionnement Normal
Bleu		Aucune source vidéo Signal invalide Une basse tension est détectée

Ports moniteur

7	Ports USB-A
8	Port USB-B
9	Ports HDMI
10	Port d'affichage
11	Port USB-C
12	Sortie audio pour casque ou haut-parleurs alimentés
13	Entrée d'alimentation



Déballage et assemblage

Avant de déballer le support, assurez-vous que la boîte est placée sur une surface plane et dégagée.

- Ouvrez le couvercle de la boîte du moniteur, retirez le plateau supérieur en polystyrène contenant le support et mettez-le de côté.
- Ouvrez le sac souple qui protège le moniteur pour révéler l'endroit où le support se fixe à l'arrière du moniteur. Laissez le moniteur posé sur le plateau en polystyrène pour éviter de l'endommager lors de l'installation du support.
- Insérez la partie supérieure du support du moniteur dans la fixation située à l'arrière du moniteur et appuyez sur le support jusqu'à ce qu'il s'enclenche. Ne forcez pas trop pour ne pas endommager le moniteur.
- Sortez délicatement le moniteur du plateau en polystyrène et posez-le sur le bureau, prêt à être utilisé.

⚠ Attention : N'exercez pas de pression sur la zone d'affichage du moniteur lorsque vous assemblez ou déplacez le moniteur. L'écran est fragile et toute pression exercée sur lui risque de le briser.

Conservez la boîte du moniteur et l'emballage en polystyrène pour le transport et le stockage ultérieurs du moniteur.

⚠ Attention : Assurez-vous que le support s'est enclenché avant de soulever le moniteur.



Options de montage

Le moniteur est doté de trous de montage espacés de 100 x 100 mm qui permettent de le monter sur n'importe quel bras de moniteur ou accessoire de montage mural compatible avec la norme VESA de 100 mm (non inclus).

Les trous de montage sont encastrés dans la zone au dos du moniteur où le support se fixe et sont cachés par le support lorsqu'il est installé. Les supports VESA ne peuvent pas être utilisés avec le moniteur lorsque le support est fixé.

Des entretoises de montage filetées M4 sont fournies avec le moniteur et doivent être utilisées pour fixer le moniteur à un bras de moniteur ou à un autre support. Montez le moniteur sur un accessoire de montage VESA en procédant comme suit.

- Posez le moniteur face vers le bas dans son plateau d'emballage en polystyrène.

⚠ Attention : N'essayez pas de poser l'écran sur une surface irrégulière, y compris sur des surfaces molles telles que de la moquette ou des sièges, pendant que vous fixez l'accessoire de montage : vous risqueriez d'endommager l'écran.

- Repérez les entretoises de montage dans le sac d'accessoires fourni avec le moniteur. Le moniteur étant posé sur son plateau en polystyrène, vissez les quatre entretoises dans les trous de la cavité où se fixe le support. Ne serrez pas trop fort - un serrage excessif des entretoises risque d'endommager le moniteur.

- Vissez l'accessoire de montage VESA dans les entretoises de montage.

⚠ Attention : N'appliquez pas de pression à l'arrière du moniteur lorsque vous installez l'accessoire de montage - une pression vers le bas sur l'écran pourrait le fissurer ou l'endommager.

- Soulevez délicatement le moniteur et l'accessoire de montage hors du plateau et mettez-les en place.

Veillez à laisser un espace de 50 mm autour de tous les côtés du moniteur lorsqu'il est installé, afin d'éviter qu'il ne surchauffe.



Démontage et stockage

Avant de démonter le moniteur, assurez-vous que la boîte est placée sur une surface plane et dégagée.

- Ouvrez le couvercle de la boîte du moniteur, retirez le plateau supérieur en polystyrène et mettez-le de côté.
- Placez le sac souple sur le moniteur et posez-le face vers le bas dans le plateau en polystyrène de la boîte. Veillez à ce que le sac soit bien à plat contre l'écran du moniteur, qu'il ne soit pas replié sur lui-même et qu'il ne soit pas entassé. Un pliage excessif du sac sous l'écran du moniteur risque d'endommager l'écran lorsqu'il sera posé dans la boîte.
- Ouvrez le sac pour découvrir l'endroit où le moniteur se fixe au support. Poussez le loquet du support du moniteur vers le bord supérieur du moniteur et soulevez la base du support vers le haut pour libérer le support du moniteur.
- Fermez le sac et rabattez-le sur l'arrière du moniteur. Placez le plateau supérieur en polystyrène sur le moniteur dans la boîte.
- Dévissez la vis qui sépare la base du support et placez les deux pièces dans le plateau supérieur en mousse.



Connexion du moniteur

Connexion du câble d'alimentation

Branchez le câble d'alimentation fourni sur le connecteur d'alimentation, puis branchez l'autre extrémité sur une prise murale.

Connexion d'une source vidéo

Le moniteur comprend quatre entrées vidéo qui peuvent être connectées simultanément. Pour connecter un ordinateur ou un autre périphérique source, branchez l'un des câbles HDMI, DisplayPort ou USB-C inclus dans l'ordinateur et dans un port correspondant du moniteur.

Notes:

- La connexion USB-C fournira jusqu'à 65 W d'alimentation aux ordinateurs qui prennent en charge l'USB Power Delivery (USB PD). Cela permet à l'ordinateur d'afficher de la vidéo sur le moniteur tout en étant chargé via un seul câble. Par conséquent, le type de connexion USB-C est la meilleure option si votre ordinateur dispose de cette capacité.
- Selon les capacités de l'ordinateur, il peut ne pas être en mesure de fournir la 4K à un taux de rafraîchissement complet de 60 Hz s'il est connecté au moniteur à l'aide de l'HDMI. La connexion USB-C ou DisplayPort doit être utilisée en priorité si l'ordinateur prend en charge ces types de connexion.
- Tous les ports USB-C des ordinateurs ne prennent pas en charge la sortie vidéo et/ou le chargement à l'aide d'USB PD. Si votre ordinateur n'affiche pas de vidéo sur le moniteur ou ne commence pas à se charger lorsqu'il est connecté au moniteur via USB-C, vérifiez que le port USB-C de l'ordinateur prend en charge la sortie vidéo en mode alternatif DisplayPort et le chargement via USB PD.
- Tous les câbles USB-C ne prennent pas en charge le transfert vidéo ou la charge supérieure à 60 W. Il est recommandé d'utiliser le câble USB-C fourni avec le moniteur afin d'éviter tout problème potentiel avec des câbles obtenus séparément.

Sortie audio

L'écran est doté de haut-parleurs intégrés ainsi que d'une prise de sortie audio permettant de connecter un casque et des haut-parleurs externes. Lorsqu'un périphérique audio externe est connecté, les haut-parleurs intégrés de l'écran sont désactivés.

Connexion de périphériques audio

Le port audio de l'écran ne prend en charge que les périphériques de sortie tels que les casques et les haut-parleurs. Il n'est pas possible de connecter des microphones ou d'autres dispositifs d'entrée à ce port. Les casques avec microphone intégré peuvent être connectés à ce port, mais le microphone ne fonctionnera pas.

Pour envoyer le son de votre ordinateur aux haut-parleurs de l'écran ou à un périphérique audio connecté, sélectionnez "32C4KPD" comme destination audio dans les paramètres sonores de votre ordinateur.settings.

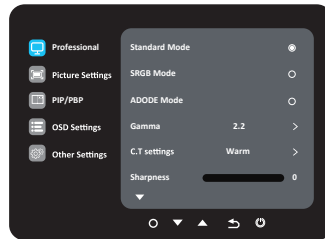
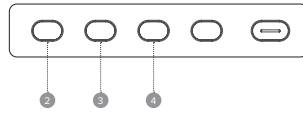
Connexion de périphériques USB

L'écran comprend deux ports USB de type A qui peuvent être utilisés pour connecter à l'ordinateur des périphériques USB tels qu'un clavier, une souris ou une webcam.

Pour que l'ordinateur puisse voir les périphériques connectés à ces ports, l'ordinateur doit être connecté à l'un des ports USB-C et/ou USB-B (ou aux deux). Remarques :

- Si l'ordinateur est uniquement connecté au port USB-C de l'écran, les ports fonctionneront à des vitesses USB 2.0 car le trafic vidéo partage le câble USB-C avec les données USB. Cette vitesse est suffisante pour la plupart des périphériques tels que les claviers, les souris et les webcams.

- Si l'ordinateur est connecté au port USB-B de l'écran, les ports fonctionneront à des vitesses USB 3.0. Ceci est préférable si vous utilisez des périphériques de stockage à grande vitesse tels que des disques durs externes et des clés USB.



Menu OSD

L'affichage à l'écran (OSD) vous permet de régler les paramètres de votre moniteur.

- Appuyez sur **1** pour accéder au menu OSD.
- Appuyez sur **2** ou **4** pour parcourir les fonctions.
 - Mettez en surbrillance la fonction souhaitée, puis appuyez sur **3** pour accéder au sous-menu.
 - Appuyez sur **2** ou **4** pour parcourir les sous-menus, puis appuyez sur **3** pour mettre en surbrillance la fonction souhaitée.
 - Appuyez sur **2** ou **4** pour sélectionner une option, puis appuyez sur **3** pour confirmer les paramètres et quitter l'écran actuel.
- Appuyez sur **2** ou **4** pour régler le paramètre, puis appuyez sur **3** pour confirmer vos modifications et quitter l'écran.

Professionnel

Options permettant de basculer entre les modes de couleur de Clarity, de régler le gamma, la température de couleur, la netteté, la teinte, la saturation et la fonction de luminosité dynamique.

Paramètres d'image

Options de réglage de la luminosité, du contraste, de la plage dynamique élevée, du contraste dynamique et du rapport hauteur/largeur de Clarity. Vous pouvez également échanger l'image de Clarity entre différents préséglages, tels que les modes lecture ou film.

PIP/PBP

Options d'activation et de configuration des modes image dans/image par image de Clarity, pour afficher plusieurs entrées à la fois.

Paramètres OSD

Options permettant de régler l'apparence du menu de Clarity (affichage à l'écran ou OSD), y compris sa langue. Vous pouvez également modifier la fonction des raccourcis clavier de Clarity.

Autres réglages

Options de réglage du signal d'entrée, de l'audio, des ports USB, du réglage dynamique de la luminosité et des fonctions d'économie d'énergie de Clarity.

Recherche de panne

Symptôme	Solution
Le bouton d'alimentation ne s'allume pas lorsqu'on appuie dessus	<ul style="list-style-type: none"> Vérifiez que le cordon d'alimentation secteur est correctement fixé à l'adaptateur d'alimentation, qu'il est connecté à une prise de courant et que la prise de courant est allumée. Vérifiez que l'adaptateur d'alimentation est bien connecté à l'arrière du moniteur.
Le bouton d'alimentation ne s'allume, mais rien ne s'affiche à l'écran.	<ul style="list-style-type: none"> Débranchez l'adaptateur d'alimentation du moniteur et rebranchez-le au bout de 2 à 3 minutes. Appuyez sur le bouton d'alimentation et maintenez-le enfoncé pendant 5 secondes pour réinitialiser les paramètres du moniteur. Contactez l'assistance ALOGIC si les points ci-dessus ne fonctionnent pas.
Le moniteur n'affiche pas la vidéo HDMI ou DisplayPort de l'ordinateur	<ul style="list-style-type: none"> Vérifiez qu'un câble vidéo approprié est connecté entre l'ordinateur et l'écran et que l'entrée correcte est sélectionnée sur le moniteur. Vérifiez les paramètres de votre ordinateur pour vous assurer qu'il détecte le moniteur et qu'il émet de la vidéo vers lui.
Le moniteur n'affiche pas la vidéo USB-C de l'ordinateur	<ul style="list-style-type: none"> Vérifiez que vous utilisez le câble USB-C fourni avec le moniteur. Vérifiez les paramètres de votre ordinateur pour vous assurer qu'il détecte le moniteur et lui envoie de la vidéo. Vérifiez que le port USB-C de votre ordinateur auquel le moniteur est connecté prend en charge la sortie vidéo à l'aide du mode alternatif DisplayPort (DP Alt. Mode).
L'ordinateur portable ne se charge pas lorsqu'il est connecté au moniteur via USB-C.	<ul style="list-style-type: none"> Vérifiez que le port USB-C de votre ordinateur prend en charge la charge à l'aide de la norme USB Power Delivery (USB-PD). Certains ordinateurs portables nécessitent une puissance supérieure à 65 W pour se charger. Il s'agit généralement d'ordinateurs haut de gamme axés sur les graphiques et les jeux. Si nécessaire, connectez l'adaptateur d'alimentation fourni avec l'ordinateur à votre ordinateur portable en plus du câble USB-C connecté au moniteur.

Avertissement

N'utilisez le moniteur qu'à l'intérieur, dans des endroits secs. N'utilisez pas le moniteur dans des endroits humides ou à proximité de sources d'eau, comme dans les salles de bain et les cuisines.

Conservez et utilisez le moniteur dans un endroit frais, sec et ventilé. Ne le placez pas à proximité de sources de chaleur ou à la lumière directe du soleil.

Veillez à ce que l'équipement soit installé sur une surface plane et stable. S'il est placé sur une surface inégale ou instable, le moniteur risque de tomber et d'être endommagé, de provoquer des blessures ou d'endommager d'autres objets.

Il est normal que l'appareil soit légèrement chaud au toucher pendant son fonctionnement. Assurez une ventilation adéquate et ne couvrez pas l'appareil lorsqu'il est en fonctionnement.

Ne couvrez pas et n'obstruez pas les orifices de ventilation situés à l'arrière du moniteur. Ne l'utilisez pas sur un lit, un canapé, une couverture ou un support similaire où le moniteur pourrait tomber ou être recouvert.

Les plages de tension électrique et de fréquence acceptables sont indiquées sur l'étiquette située à l'arrière du moniteur. Ne connectez pas le moniteur à des sources d'alimentation qui se situent en dehors de ces limites.

Si l'appareil n'est pas utilisé pendant des semaines ou des mois, il est recommandé de le débrancher afin d'économiser de l'énergie et de protéger l'équipement contre les dommages causés par les surtensions provoquées par la foudre en cas d'orage.

N'insérez pas d'objets étrangers dans les orifices de ventilation du couvercle du moniteur, sous peine d'endommager l'appareil, de provoquer un incendie ou une électrocution.

Le moniteur ne contient aucune pièce réparable par l'utilisateur. Le fait de démonter ou de tenter de réparer ce produit vous-même annulera la garantie et vous exposera à un risque d'électrocution. Si vous soupçonnez une défaillance de l'appareil, veuillez contacter le vendeur auprès duquel vous avez acheté le produit ou le service après-vente d'ALOGIC pour obtenir de l'aide.

N'utilisez pas le produit s'il est endommagé, car vous risquez d'endommager les appareils connectés et de vous exposer à un choc électrique.

N'écrasez pas, ne coupez pas, ne tirez pas et ne tordez pas excessivement le cordon d'alimentation. Si le cordon d'alimentation est endommagé, n'utilisez pas le produit jusqu'à ce que vous obteniez un cordon de rechange. L'utilisation d'un cordon d'alimentation endommagé peut entraîner un choc électrique.

Ne vaporisez pas de liquides sur le moniteur. N'utilisez pas de produits chimiques tels que des solvants sur la surface du moniteur. Nettoyez le moniteur uniquement à l'aide d'un chiffon en microfibre propre, sec, doux et anti-rayures.

Le démontage ou le manque d'utilisation et d'entretien de votre appareil annule la garantie du produit.

ALOGIC n'est pas responsable des dommages causés à l'appareil ou des dommages accessoires résultant d'une mauvaise utilisation ou d'un manque d'entretien et n'est pas responsable de la réparation/du remplacement de l'appareil ou d'autres dommages dans ces circonstances.



Cet appareil est conforme à la partie 15 des règles de la FCC. Son utilisation est soumise aux deux conditions suivantes :

(1) Cet appareil ne doit pas causer d'interférences nuisibles.

(2) Cet appareil doit accepter toute interférence reçue, y compris les interférences susceptibles de provoquer un fonctionnement indésirable. CAN ICES-3 (B)/NMB-3(B)



Les termes HDMI et HDMI High-Definition Multimedia Interface, ainsi que le logo HDMI sont des marques commerciales ou des marques déposées de HDMI Licensing Administrator, Inc. aux États-Unis et dans d'autres pays.



Consultare gli schemi alle pagine 6 e 7.



Disimballaggio e montaggio

Prima di disimballare il supporto, accertarsi che la scatola sia posizionata su una superficie piana e libera.

1. Aprire il coperchio della scatola del monitor, rimuovere il vassoio superiore di polistirolo contenente il supporto e metterlo da parte.
2. Aprire la borsa morbida che protegge il monitor per scoprire il punto in cui il supporto si attacca al retro del monitor. Lasciare il monitor sul vassoio di polistirolo per evitare di danneggiarlo durante l'installazione del supporto.
3. Inserire la parte superiore del supporto del monitor nella staffa sul retro del monitor e premere il supporto finché non scatta in posizione. Non applicare troppa forza per evitare di danneggiare il monitor.
4. Rimuovere con cautela il monitor dal vassoio di polistirolo e posizionarlo sulla scrivania, pronto per l'uso.

Attenzione: durante l'assemblaggio o lo spostamento del monitor, non esercitare pressione sull'area di visualizzazione del monitor. Lo schermo è fragile e qualsiasi pressione esercitata su di esso potrebbe romperlo.

Conservare la scatola del monitor e l'involucro di polistirolo per il trasporto e la conservazione del monitor in futuro.

Attenzione: prima di sollevare il monitor, accertarsi che il supporto sia agganciato.



Opzioni di montaggio

Il monitor è dotato di fori di montaggio distanziati di 100 x 100 mm che ne consentono il montaggio su qualsiasi braccio per monitor o accessorio per il montaggio a parete compatibile con lo standard VESA da 100 mm (non incluso).

I fori di montaggio sono incassati nell'area sul retro del monitor in cui si aggancia il supporto e sono nascosti da quest'ultimo quando è installato. I supporti VESA non possono essere utilizzati con il monitor mentre il supporto è fissato.

Il monitor è dotato di distanziali di montaggio con filettatura M4 che devono essere utilizzati quando si monta il monitor su un braccio o un altro supporto. Montare il monitor su un accessorio di montaggio VESA come segue.

1. Appoggiare il monitor a faccia in giù nel suo vassoio di imballaggio in polistirolo.

Attenzione: Non tentare di appoggiare lo schermo su superfici irregolari, comprese quelle morbide come tappeti e sedili, mentre si monta l'accessorio di montaggio: lo schermo potrebbe danneggiarsi.

2. Individuare i distanziali di montaggio nella borsa degli accessori fornita con il monitor. Con il monitor appoggiato nel vassoio di polistirolo, avvitare i quattro distanziali nei fori della nicchia di fissaggio del supporto. Non stringere troppo: un serraggio eccessivo dei distanziali può danneggiare il monitor.

3. Avvitare l'accessorio di montaggio VESA nei distanziali di montaggio.

Attenzione: Non esercitare pressione sul retro del monitor mentre si monta l'accessorio di montaggio: una pressione verso il basso sullo schermo potrebbe incrinarlo o danneggiarlo.

4. Sollevare con cautela il monitor e l'accessorio di montaggio dal vassoio e posizionarlo.

Assicurarsi che vi sia uno spazio libero di 50 mm intorno a tutti i lati del monitor quando è installato, per evitare che si surriscaldi.



Smontaggio e conservazione

Prima di smontare il monitor, accertarsi che la scatola sia posizionata su una superficie piana e libera.

1. Aprire il coperchio della scatola del monitor, rimuovere il vassoio superiore di polistirolo e metterlo da parte.
2. Collocare la borsa morbida sul monitor e posizionarla a faccia in giù nel vassoio di polistirolo della scatola. Assicurarsi che la borsa sia piatta contro lo schermo del monitor e che non sia piegata o affollata. Un'eccessiva piegatura della borsa sotto lo schermo del monitor può danneggiare lo schermo quando viene riposto nella scatola.
3. Aprire la borsa per scoprire il punto in cui il monitor si attacca al supporto. Spingere il fermo del supporto verso il bordo superiore del monitor e sollevare la base del supporto verso l'alto per staccarlo dal monitor.
4. Chiudere la borsa e ripiegarla ordinatamente sul retro del monitor. Posizionare il vassoio superiore in polistirolo sopra il monitor nella scatola.
5. Allentare le viti, separare la base dal supporto e collocare entrambi i pezzi nel vassoio di imballaggio superiore in polistirolo.



Collegamento del monitor

Collegamento del cavo di alimentazione

Collegare il cavo di alimentazione in dotazione al connettore di alimentazione, quindi inserire l'altra estremità in una presa a muro.

Collegamento di una sorgente video

Il monitor dispone di quattro ingressi video che possono essere collegati simultaneamente. Per collegare un computer o un altro dispositivo sorgente, collegare uno dei cavi HDMI, DisplayPort o USB-C in dotazione al computer e alla porta corrispondente del monitor.

Nota:

- La connessione USB-C fornisce fino a 65W di potenza al computer che supportano USB Power Delivery (USB PD). Ciò consente al computer di visualizzare il video sul monitor mentre viene ricaricato tramite un unico cavo. Di conseguenza, il tipo di connessione USB-C è l'opzione migliore se il computer dispone di questa funzionalità.
- A seconda delle capacità del computer, potrebbe non essere in grado di fornire 4K a una frequenza di aggiornamento completa di 60 Hz se collegato al monitor tramite HDMI. La connessione USB-C o DisplayPort dovrebbe essere utilizzata come prima preferenza se il computer supporta questi tipi di connessione.
- Non tutte le porte USB-C del computer supportano l'uscita video e/o la ricarica tramite USB PD. Se il computer non visualizza il video sul monitor o non avvia la ricarica quando è collegato al monitor tramite USB-C, verificare che la porta USB-C del computer supporti l'uscita video in modalità alternativa DisplayPort e la ricarica tramite USB PD.
- Non tutti i cavi USB-C supportano il trasferimento video o la ricarica oltre i 60W. Si consiglia di utilizzare il cavo USB-C fornito con il monitor per evitare potenziali problemi con i cavi acquistati separatamente.

Uscita audio

Il display è dotato di altoparlanti integrati e di un jack di uscita audio per consentire il collegamento di cuffie e altoparlanti esterni. Quando si collega un dispositivo audio esterno, gli altoparlanti interni del display vengono disattivati.



Collegamento di dispositivi audio

La porta audio del display supporta solo dispositivi di uscita come cuffie e altoparlanti. Non è possibile collegare a questa porta microfoni o altri dispositivi di ingresso. Le cuffie con microfono incorporato possono essere collegate a questa porta, ma il microfono non funziona.

Per inviare l'audio dal computer agli altoparlanti del display o al dispositivo audio collegato, selezionare "32C4KPD" come destinazione audio nelle impostazioni audio del computer.

Menu OSD

L'OSD (On-Screen Display) consente di regolare le impostazioni del monitor.

1. Premere **2** per accedere al menu OSD.
2. Premere **3** o **4** per scorrere le funzioni.
 - Evidenziare la funzione desiderata, quindi premere **2** per accedere al sottomenu.
 - Premere **3** o **4** per scorrere i sottomenu, quindi premere **2** per evidenziare la funzione desiderata.
 - Premere **3** o **4** per evidenziare un'opzione, quindi premere **2** per confermare le impostazioni e uscire dalla schermata corrente.
3. Premere **3** o **4** per regolare l'impostazione, quindi premere **2** per confermare le modifiche e uscire.

Professionale

Opzioni per passare da una modalità colore di Clarity all'altra, regolare la gamma, la temperatura del colore, la nitidezza, la tonalità, la saturazione e la funzione di luminosità dinamica.

Impostazioni dell'OSD

Opzioni per regolare l'aspetto del menu di Clarity (On-Screen Display o OSD), inclusa la lingua. Puoi anche modificare la funzione dei tasti di scelta rapida di Clarity.

Impostazioni immagine

Opzioni per regolare la luminosità, il contrasto, l'elevata gamma dinamica, il contrasto dinamico e le proporzioni di Clarity. Puoi anche scambiare l'immagine di Clarity tra diverse preimpostazioni, come la modalità lettura o film.

Altre impostazioni

Opzioni per regolare il segnale di ingresso, l'audio, le porte USB, la regolazione dinamica della luminosità e le funzioni di risparmio energetico di Clarity.



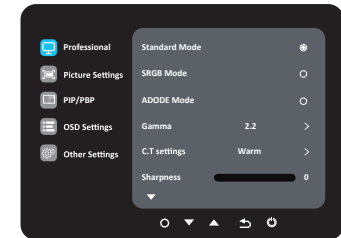
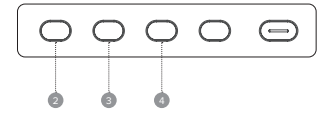
Collegamento di dispositivi USB

Il display include due porte USB di tipo A che possono essere utilizzate per collegare al computer periferiche USB quali tastiera, mouse o webcam. Affinché il computer possa vedere i dispositivi collegati a queste porte, è necessario che il computer sia collegato a una delle porte USB-C e/o USB-B (o a entrambe).

Note:

- Se il computer è collegato solo alla porta USB-C del display, le porte funzioneranno a velocità USB 2.0 perché il traffico video condivide il cavo USB-C con i dati USB. Questa velocità è sufficiente per la maggior parte delle periferiche come tastiere, mouse e webcam.

- Se il computer è collegato alla porta USB-B del display, le porte funzionano alla velocità di USB 3.0. Questa velocità è preferibile se si utilizza una velocità elevata. Questo è preferibile se si utilizzano dispositivi di archiviazione ad alta velocità come dischi rigidi esterni e unità flash USB.



PIP/PIP

Opzioni per abilitare e configurare le modalità picture-in-by-picture di Clarity, per mostrare più input contemporaneamente.



Risoluzione dei problemi

Sintomo	Soluzione
Il pulsante di accensione non si illumina quando viene premuto	<ul style="list-style-type: none"> Verificare che il cavo di alimentazione di rete sia collegato saldamente all'adattatore di alimentazione, sia collegato a una presa di corrente e che la presa di corrente sia accesa. Verificare che l'adattatore di alimentazione sia collegato saldamente alla parte posteriore del monitor.
Il pulsante di accensione si illumina, ma sullo schermo non viene visualizzato nulla	<ul style="list-style-type: none"> Scollegare l'alimentatore dal monitor e ricollegarlo dopo 2-3 minuti. Tenere premuto il pulsante di accensione per 5 secondi per ripristinare le impostazioni del monitor. Contattare il supporto ALOGIC se i punti precedenti non funzionano.
Il monitor non mostra il video HDMI o DisplayPort dal computer	<ul style="list-style-type: none"> Verificare che sia collegato un cavo video appropriato tra il computer e il display e che sia selezionato l'ingresso corretto sul monitor. Controlla le impostazioni del tuo computer per verificare che rilevi il monitor e gli trasmetta il video. Controlla le impostazioni del tuo computer per verificare che rievli il monitor e gli trasmetta il video.
Il monitor non mostra il video USB-C dal computer	<ul style="list-style-type: none"> Verificare di utilizzare il cavo USB-C fornito con il monitor. Controlla le impostazioni del tuo computer per verificare che rievli il monitor e gli trasmetta il video. Verificare che la porta USB-C del computer a cui è collegato il monitor supporti l'uscita video utilizzando la modalità alternativa DisplayPort (DP Alt. Mode).
Il computer portatile non si carica quando è collegato al monitor tramite USB-C	<ul style="list-style-type: none"> Verifica che la porta USB-C del computer supporti la ricarica utilizzando lo standard USB Power Delivery (USB-PD). Alcuni laptop richiedono più di 65 W di potenza per la ricarica. Questi tendono ad essere grafici di fascia alta e computer focalizzati sui giochi. Se necessario, collegare l'alimentatore fornito con il computer al laptop oltre al cavo USB-C collegato al monitor.

Avvertenze

Utilizzare il monitor solo all'interno in luoghi asciutti. Non utilizzare il monitor in luoghi umidi o vicino a fonti d'acqua come bagni e cucine.

Conservare e utilizzare in un luogo fresco, asciutto e ventilato. Non posizionare vicino a fonti di calore o alla luce diretta del sole.

Assicurarsi che l'apparecchiatura sia installata su una superficie piana e stabile. Se posizionato su una superficie irregolare o instabile, il monitor potrebbe cadere e danneggiarsi, causare lesioni personali o danneggiare altri oggetti.

È normale che il dispositivo sia leggermente caldo al tatto durante il funzionamento. Fornire una ventilazione adeguata e non coprire il dispositivo durante il funzionamento.

Non coprire o bloccare i fori di ventilazione sul coperchio posteriore del monitor. Non utilizzare su letti, divani, coperte o simili dove il monitor potrebbe cadere o coprirsi.

La tensione di alimentazione elettrica e gli intervalli di frequenza accettabili sono indicati sull'etichetta sul coperchio posteriore del monitor. Non collegare il monitor a fonti di alimentazione che non rientrano in questi limiti.

Se il dispositivo non verrà utilizzato per settimane o mesi, si consiglia di scollegare l'alimentazione per risparmiare energia e proteggere l'apparecchiatura dai danni causati da picchi di corrente indotti da fulmini in caso di temporale.

Non inserire oggetti estranei nei fori di ventilazione del coperchio del monitor poiché potrebbero verificarsi danni, incendi o scosse elettriche.

Il monitor non contiene parti riparabili dall'utente. Lo smontaggio o il tentativo di riparare da soli questo prodotto annullerà la garanzia e vi esporrà al rischio di scosse elettriche. Se sospetti un guasto del dispositivo, contatta il venditore da cui hai acquistato il prodotto o il supporto post-vendita ALOGIC per ricevere assistenza.

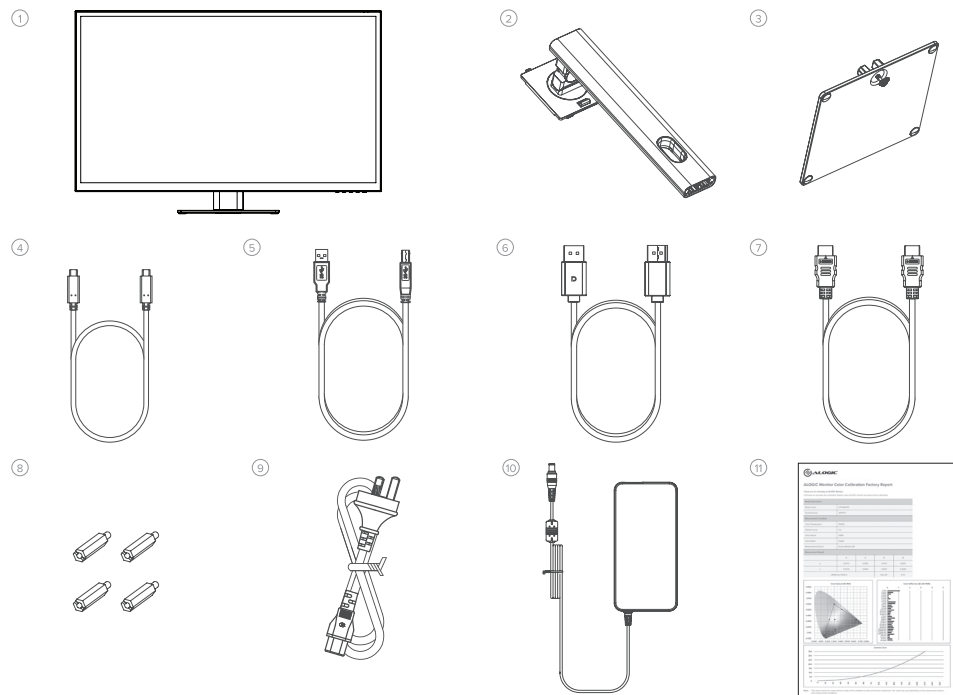
Non utilizzare il prodotto se danneggiato in quanto ciò potrebbe comportare il rischio di causare danni ai dispositivi collegati ed esporvi a scosse elettriche.

Non schiacciare, tagliare, tirare o torcere eccessivamente il cavo di alimentazione. Se il cavo di alimentazione viene danneggiato, non utilizzare il prodotto finché non è possibile ottenere un cavo di alimentazione sostitutivo. L'uso di un cavo di alimentazione danneggiato può causare scosse elettriche.

Non spruzzare liquidi sul monitor. Non utilizzare prodotti chimici come solventi sulla superficie del monitor. Pulire il monitor solo con un panno in microfibra pulito, asciutto, morbido e antigraffio.

Lo smontaggio o il mancato utilizzo e cura corretti del dispositivo invaliderà la garanzia sul prodotto.

ALOGIC non si assume alcuna responsabilità per danni al dispositivo o danni incidentali derivanti da uso improprio o mancanza di cura e non è responsabile per la riparazione/sostituzione del dispositivo o altri danni in tali circostanze.



パッケージ内容

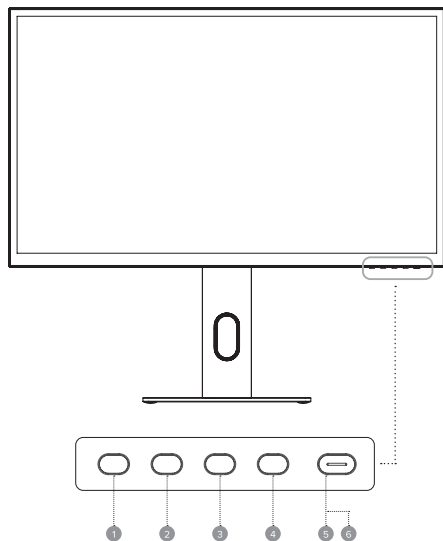
①	Clarity Max 32 インチ モニター
②	スタンドシステム
③	スタンドベース
④	USB-C - USB-Cケーブル (USB3.2 - Gen1)
⑤	USB-A - USB-Bケーブル
⑥	DisplayPort-DisplayPortケーブル

⑦	HDMI-HDMIケーブル
⑧	ネジ×4 (壁掛け用)
⑨	電源ケーブル (AC100-240V、50/60Hz)
⑩	電源アダプター
⑪	カラーキャリブレーションレポート

仕様

モデル	32C4KPD - Clarity Max
画面サイズ	32"
外形寸法図	スタンドあり: 726x481x250mm (幅×高さ×奥行き) スタンドなし: 726x428x57mm (幅×高さ×奥行き)
重量	スタンド付き: 9.8kg スタンドなし: 6.5kg
素材	ABS、ガラス、アルミニウム
電源アダプター	入力 AC 100-240V~, 50/60Hz 出力する.: DC 19V, 7.89A, 150W (マックス)
アスペクト比	16:9
明るさ	350cd/m ² (Typ.)、320cd/m (Min.)
パネル	IPS
解像度	DP1.4: 3840*2160@60Hz HDMI2.0: 3840*2160@60Hz
リフレッシュレート	60Hz

視野角	178° (H) / 178° (V)
コントラスト比	3000:1
VESAマウント	100 x 100mm
ディスプレイカラー	16.7M
インターフェース	DP 1.4×1、HDMI 2.0×2、Type-C×1、USB-A×2、USB-B×1、オーディオ出力×1
オーディオ	スピーカー 5W×2 オーディオ出力。あり
ブルーライト低減	はい
フリッカーフリー	はい
USB PD パワーデリバリー	ホストコンピュータへの最大電力は65Wまで



モニターコントロール

①	メニュー: OSDメニューを表示し、サブメニューに入ります。
②	上/左: メニューの中で上/左に移動します。
③	下/右: メニューの中で下/右に移動します。
④	終了: OSDメニューを終了します。
⑤	電源: モニターの電源が入ります。
⑥	LEDインジケータと電源ボタン

インジケータランプ

インジケータライトが白色で点灯している場合は電源が入っており、モニターが正常に動作していることを示します。青色の点灯は、ビデオソースがない、無効な信号、または低電圧が検出されたことを示します。コンピュータの電源が入っていること、すべてのビデオケーブルが完全に差し込まれているか、接続されていることを確認してください。

白色	通常動作
ブルー	ビデオソースがない 無効な信号 低電圧を検出した

モニターポート

⑦	USB-Aポート
⑧	USB-Bポート
⑨	HDMIポート
⑩	DisplayPortポート
⑪	USB-Cポート
⑫	ヘッドホンまたはスピーカー用オーディオ出力
⑬	電源入力



開梱・組立

スタンドの梱包を解く前に、箱が平らで物が無い場所に置かれていることを確認してください。

1. モニターボックスの蓋を開け、スタンドの入った上部の発泡スチロール製トレイを取り出し、片側に置きます。
2. モニターを保護しているソフトバッグを開き、モニターの背面にスタンドが取り付けられている部分を確認します。スタンドの取り付け時にモニターを傷つけないように、モニターを発泡スチロールのトレイに寝かせたままにしておきます。
3. モニタースタンドの上部をモニター背面のマウントに挿入し、カチッと音がするまでスタンドの下側を押します。モニターが破損しないように、無理な力を加えないでください。
4. 発泡スチロールのトレイからモニターを注意深く持ち上げ、机の上を立てて使用できるようにします。

⚠ 警告: モニターの組み立て中や移動中は、モニターのディスプレイ部分に圧力をかけないでください。ディスプレイ画面は壊れやすいので、力を加えるとディスプレイが壊れます。

モニターの箱と発泡スチロールの梱包材は、今後のモニターの輸送や保管のために保管してください。

⚠ 警告: モニターを持ち上げる前に、スタンドが所定の位置にカチッと合ったことを確認してください。



マウントオプション

モニターには100×100mm間隔の取り付け穴があり、互換性のある100mmVESA規格のモニターアームやウォールマウントアクセサリ（別売）が取り付けられます。

取り付け穴は、モニター背面にあり、取り付け時にはスタンドに隠れるようになっています。スタンドを取り付けた状態では、VESAマウントを使用することはできません。

モニターをモニターアームなどのマウントに取り付ける際に使用する、M4ネジのマウントスペーサーがモニターに付属しています。モニターをVESAマウントアクセサリに取り付けるには、次のようにします。

1. モニターを発泡スチロール製の梱包トレイに伏せて置きます。
 2. モニターに付属しているアクセサリバッグの中から、マウントスペーサーを確認します。モニターを発泡スチロールのトレイに寝かせた状態で、4つのスペーサーをスタンドが取り付けられる凹部の穴にねじ込みます。スペーサーを締め付けすぎると、モニターが破損することがあります。
 3. VESAマウントアクセサリをマウントスペーサーにねじ込みます。
- ⚠ 警告:** モニターに下向きの圧力をかけると、画面にひびが入ったり、破損したりすることがあります。
4. モニターとマウントアクセサリをトレイから慎重に持ち上げて、所定の位置に設置します。

モニターが過熱しないように、設置時にモニターのすべての側面に50mmの隙間があることを確認してください。



分解と保管

モニターを分解する前に、箱が平らで物が無い場所に置かれていることを確認してください。

1. モニターボックスの蓋を開け、上部の発泡スチロール製トレイを取り外し、置いてください。
2. ソフトバッグをモニターにかぶせ、箱の発泡スチロール製トレイに伏せて置きます。バッグがモニターの画面に対して平らになり、バッグが折りたたまれたり、束ねられたりしていないことを確認してください。モニター画面の下で袋が過度に束になっていると、箱の中で寝かせたときに画面が損傷することがあります。
3. 袋を開けて、モニターをスタンドに取り付ける場所を確認します。モニタースタンドの留め具をモニターの上端に向かって押し、スタンドの根元を上を持ち上げて、モニターからスタンドを離します。
4. 袋を閉じ、モニターの背面をきれいに折りたたみます。上部の発泡スチロールトレイを箱の中のモニターの上に置きます。
5. ネジを緩めてベースをスタンドから取り外し、両方のピースを上部発泡スチロール製梱包トレイに入れます。



モニターを接続する

電源ケーブルの接続

付属の電源ケーブルを電源コネクタに接続し、もう一方の端をコンセントに差し込みます。

ビデオソースを接続する ビデオソースを接続する

モニターには4つのビデオ入力があり、同時に接続することができます。コンピュータやその他のソースデバイスに接続するには、付属のHDMI、DisplayPort、USB-Cケーブルのいずれかをコンピュータに差し込み、モニターの対応するポートに接続します。

注意事項

- USB-C接続は、USB Power Delivery (USB PD) をサポートするコンピュータに最大65Wの電力を供給します。これにより、コンピュータは1本のケーブルで充電しながらモニターに映像を表示することができます。そのため、お使いのコンピュータがこの機能を備えている場合は、USB-C接続タイプが最適な選択となります。
- コンピュータの性能によっては、HDMIを使用してモニターに接続した場合、60Hzのフルリフレッシュレートで4Kを提供できない場合があります。コンピュータがこの接続タイプをサポートしている場合、USB-CまたはDisplayPort接続を第一優先として使用する必要があります。
- コンピュータのすべてのUSB-Cポートが、ビデオ出力やUSB PDによる充電をサポートしているわけではありません。USB-Cでモニターに接続してもモニターに映像が映らない、充電が始まらない場合は、パソコンのUSB-CポートがDisplayPort Alternate Modeの映像出力とUSB PDによる充電に対応しているかどうかを確認してください。
- すべてのUSB-Cケーブルがビデオ転送や60W以上の充電に対応しているわけではありません。別途入手したケーブルの潜在的な問題を避けるため、モニターに付属するUSB-Cケーブルを使用することをお勧めします。

オーディオ出力

ディスプレイには内蔵スピーカーのほか、ヘッドホンや外部スピーカーを接続する音源出力端子を備えています。外部オーディオ機器を接続した場合、ディスプレイのオンボードスピーカーは無効になります。



オーディオデバイスを接続する

ディスプレイのオーディオポートは、ヘッドホンやスピーカーなどの出力機器にのみ対応しています。このポートにマイクなどの入力機器を接続することはできません。マイク内蔵のヘッドホンは接続可能ですが、マイクは機能しません。

パソコンからディスプレイのスピーカーや接続したオーディオ機器に音声を送るには、パソコンのサウンド設定で音声の送り先に「32C4KPD」を選択してください。

OSDメニュー

OSD (On-Screen Display) を使って、モニターの設定を調整することができます。

- 2 を押して、OSD メニューを表示します。
- 3 または 4 を押して、機能をブラウズします。
 - 希望の機能をハイライト表示し、2 を押してサブメニューに入ります。
 - 3 または 4 を押してサブメニューをブラウズし、2 を押して希望の機能を強調表示します。
 - 3 または 4 を押してオプションをハイライトし、2 を押して設定を確認し、現在の画面を終了します。
- 3 または 4 を押して設定を調整し、2 を押して変更を確定し、終了します。

USB機器を接続する

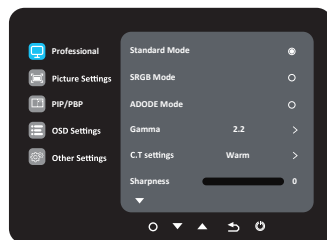
ディスプレイには、キーボード、マウス、ウェブカメラなどのUSB周辺機器をコンピュータに使用できる2つのUSBタイプAポートがあります。

ポートに接続したデバイスをコンピュータに表示するには、コンピュータがUSB-Cおよび/またはUSB-Bポートのいずれか（または両方）に接続されている必要があります。

注意事項

- コンピュータがディスプレイのUSB-Cポートにのみ接続されている場合、ビデオトラフィックがUSB-CケーブルをUSBデータと共有するため、ポートはUSB 2.0速度で動作します。キーボード、マウス、ウェブカメラなど、ほとんどの周辺機器には十分な速度です。

- コンピュータがディスプレイのUSB-Bポートに接続されている場合、ポートはUSB 3.0速度で動作します。外付けハードドライブやUSBフラッシュドライブなどの高速ストレージデバイスを使用する場合は、この方が望ましいです。



プロ

Clarity のカラー モード間の切り替え、ガンマ、色温度、シャープネス、色相、彩度、および動的輝度機能の調整のためのオプション。

画像設定

Clarity の明るさ、コントラスト、ハイダイナミックレンジ、ダイナミックコントラスト、アスペクト比を調整するためのオプション。また、読書モードや映画モードなど、さまざまなプリセット間で Clarity の画像を交換することもできます。

PIP/PBP

複数の入力を一度に表示するために、Clarity のピクチャーイン/バイピクチャー モードを有効にして構成するためのオプション。

OSD設定

Clarity のメニュー (オンスクリーン ディスプレイまたは OSD) の外観 (言語を含む) を調整するためのオプション。Clarity のホットキーの機能を変更することもできます。

その他の設定

Clarity の入力信号、オーディオ、USB ポート、動的輝度調整、省電力機能を調整するためのオプション。

トラブルシューティング

症状	解決方法
電源ボタンを押しても点灯しない	<ul style="list-style-type: none"> 主電源コードが電源アダプタにしっかりと取り付けられていること、電源コンセントに接続されていること、電源コンセントの電源がオンになっていることを確認します。 電源アダプタがモニターの背面にしっかりと接続されていることを確認します。
電源ボタンは点灯するが、画面には何も表示されない	<ul style="list-style-type: none"> 電源アダプターをモニターから外し、2〜3分後に再接続します。 電源ボタンを5秒間長押しして、モニターの設定をリセットしてください。 上記のポイントを行ってもうまくいかない場合は、ALOGICサポートにお問い合わせください。
コンピュータからのHDMIまたはDisplayPortの映像がモニターに表示されない	<ul style="list-style-type: none"> コンピュータとディスプレイ間に適切なビデオケーブルが接続され、モニターで正しい入力を選択されていることを確認してください。 コンピュータの設定を確認し、コンピュータがモニターを検出し、モニターに映像を出力していることを確認します。
モニターにパソコンからのUSB-C映像が表示されない	<ul style="list-style-type: none"> モニターに付属の USB-C ケーブルを使用していることを確認します。 コンピュータの設定を確認し、モニターが検出され、映像が出力されていることを確認します。 モニターを接続しているコンピュータのUSB-Cポートが、DisplayPort Alternate Mode (DP Alt. Mode) による映像出力に対応していることを確認してください。
ノートパソコンとモニターをUSB-Cで接続しても充電されない	<ul style="list-style-type: none"> コンピュータのUSB-Cポートが、USB Power Delivery (USB-PD) 規格を使用している充電をサポートしていることを確認してください。 ノートパソコンの中には、充電に65W以上の電力が必要な場合があります。これらは、ハイエンドのグラフィックスやゲームに特化したコンピュータである傾向があります。 必要に応じて、モニターに接続されているUSB-Cケーブルに加えて、コンピュータに付属している電源アダプターをノートパソコンに接続してください。

警告

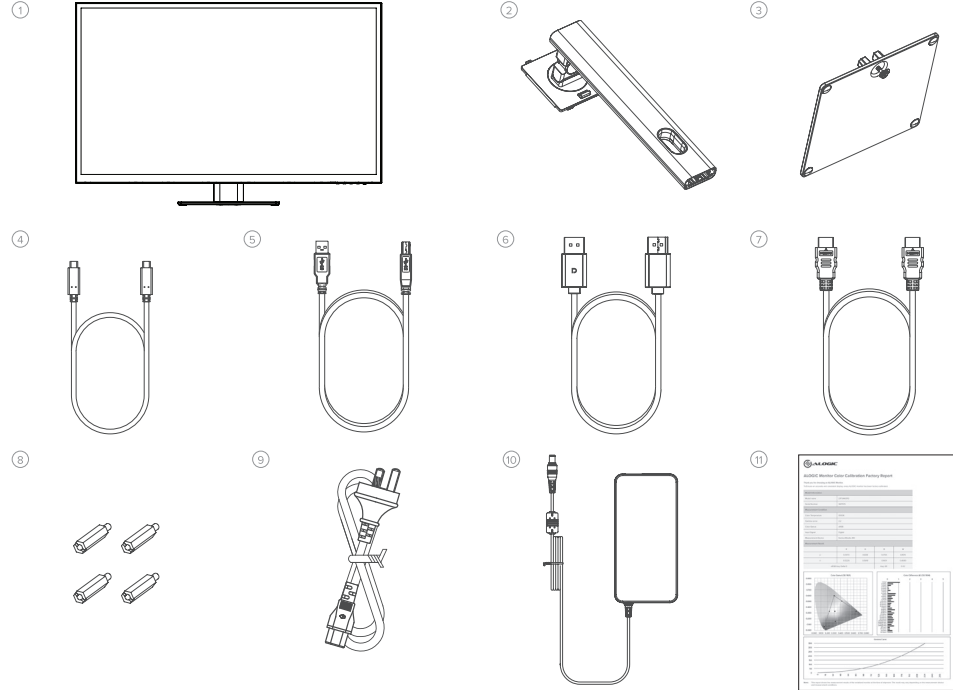
- モニターは、屋内の乾燥した場所でのみ使用してください。湿気の多い場所や、浴室や台所などの水場の近くではモニターを使用しないでください。
- 涼しく乾燥した換気の良い場所で保管し、使用してください。熱源の近くや直射日光の当たる場所には置かないでください。
- 機器が平らで安定した場所に設置されていることを確認してください。凹凸のある場所や不安定な場所に設置すると、モニターが落下して破損したり、人身事故を起こしたり、他の物を破損させたりすることがあります。
- 動作中、機器に触れるとわずかに温くなるのは正常です。十分な換気を行い、動作中はデバイスを覆わないようにしてください。
- モニターの背面カバーにある通気孔を覆ったり塞いだりしないでください。ベッド、ソファ、毛布など、モニターが倒れたり、覆われたりする可能性のある場所で使用しないでください。
- 許容される電源電圧と周波数の範囲は、モニターの背面カバーのラベルに記載されています。この範囲外の電源に接続しないでください。
- 数週間から数か月間使用しない場合は、節電のため、また雷雨が発生した場合に雷雨による電力サージから機器を保護するために、電源を切断することをお勧めします。
- 損傷、火災、感電の恐れがあるため、モニターのカバーの通気孔に異物を入れないでください。
- モニターには、ユーザーによる修理が可能な部品はありません。この製品を分解したり、自分で修理しようとするか、保証が無効になり、感電の危険性があります。本機の故障が疑われる場合は、購入した販売店またはALOGICアフターサービスにご相談ください。
- 本製品が破損した場合、接続された機器に損傷を与え、感電の危険性がありますので、使用しないでください。
- 電源コードを無理に押しつぶしたり、切ったり、引っ張ったり、ねじったりしないでください。電源コードが破損した場合は、交換用の電源コードを入手するまで製品を使用しないでください。損傷した電源コードを使用すると、感電する恐れがあります。
- モニターに液体を吹きかけないでください。モニターの表面に溶剤などの化学物質を使用しないでください。モニターの清掃は、清潔で乾燥した柔らかい、傷のつきにくいマイクロファイバー製の布で拭いてください。
- デバイスを分解したり、適切に使用・手入れをしなかったりすると、製品の保証が無効になります。
- ALOGICは、不適切な使用やお手入れの不足から生じるデバイスの損傷や付随的な損害について一切の責任を負わず、これらの状況におけるデバイスの修理/交換やその他の損害について責任を負いません。



このデバイスは、FCC規則のパート15に準拠しています。操作は、次の2つの条件に従うものとします。

- (1) このデバイスは、有害な干渉を引き起こす可能性があります。
- (2) このデバイスは、望ましくない動作を引き起こす可能性のある干渉を含め、受信したすべての干渉を受け入れる必要があります。CAN ICES-3 (B)/NMB-3(B)

HDMI, HDMI High-Definition Multimedia Interface、およびHDMIロゴは、米国およびその他の国におけるHDMI Licensing Administrator, Incの商標または登録商標です。



محتويات الحزمة

7	كابل إتش.دي.إم.أي (HDMI) إلى إتش.دي.إم.أي (HDMI)
8	(عدد 4) براغي للتثبيت على الحائط)
9	كابل الطاقة (تيار متردد 100-240 فولت، 60/50 هرتز)
10	محول الطاقة
11	تقرير معايرة الألوان

1	شاشة Clarity Max مقاس 32 بوصة
2	ساق الحامل
3	قاعدة الحامل
4	كابل يو.إس.بي-سي (USB-C) إلى يو.إس.بي-سي (USB-C) (1 الجيل - USB3.2)
5	كابل يو.إس.بي-إيه (USB-A) إلى يو.إس.بي-بي (USB-B)
6	كابل "ديسبلاي بورت" (Display Port) إلى "ديسبلاي بورت" (Display Port)

المواصفات

زاوية الرؤية	178 درجة (أفقي/178 درجة رأسي)
نسبة التباين	3000:1
تثبيت من نوع (VESA)	100 × 100 مم
ألوان الشاشة	1.07 بي (B)
الواجهة	(عدد 1) "ديسبلاي بورت" (DP) 1.4، (عدد 2) إتش.دي.إم.أي (HDMI) 2.0، (عدد 1) نوع سي (C)، (عدد 2) يو.إس.بي-إيه، (عدد 1) يو.إس.بي-بي (USB-B)، (عدد 1) مخرج صوت
الصوت	مكبرات الصوت: عدد 2 * 5 واط إخراج الصوت: نعم
ضوء أزرق منخفض	نعم
خالي من الوميض	نعم
الإمداد بالطاقة بواسطة يو.إس.بي (USB PD)	ما يصل إلى 65 واط كحد أقصى للقدرة إلى الحاسوب المضيف

الطرز	32C4KPD - Clarity Max
حجم الشاشة	32"
الأبعاد	مع الحامل: 481 × 726 × 250 ملم (العرض × الارتفاع × العمق) بدون الحامل: 428 × 726 × 57 ملم (العرض × الارتفاع × العمق)
الوزن	مع الحامل: 9.8 كجم بدون الحامل: 6.5 كجم
المواد	بلاستيك (ABS)، الزجاج، الألومنيوم
محول الطاقة	المدخلات: تيار متردد 100-240 فولت، 60/50 هرتز الإخراج: 19 فولت () 7,89 أمبير، 150 واط (حد أقصى)
نسبة الأبعاد	16:9
السطوع	350 شمعة/متر مربع (قيمة نموذجية)، 320 شمعة/متر مربع (حد أدنى)
اللوحه	IPS
دقة الصورة	"ديسبلاي بورت" 1.4: 2160 * 3840 عند 60 هرتز إتش.دي.إم.أي (HDMI) 2.0: 2160 * 3840 عند 60 هرتز
معدل التحديث	60 هرتز

عناصر التحكم بالشاشة

1	القائمة: اضغط لعرض قائمة العرض على الشاشة (OSD) وأدخل القوائم الفرعية
2	أعلى/يسار: اضغط للتحرك لأعلى/للليسار في القوائم
3	أسفل/يمين: اضغط للتحرك لأسفل/لليمين في القوائم
4	الخروج: اضغط للخروج من قائمة العرض على الشاشة (OSD)
5	الطاقة: اضغط لتشغيل/إيقاف تشغيل الشاشة
6	مؤشر "اليد" و زر الطاقة

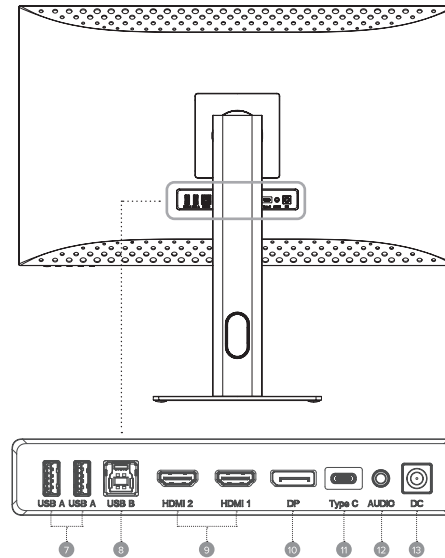
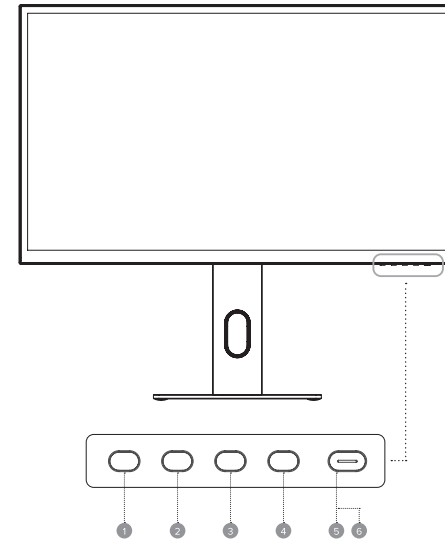
ضوء المؤشر

يضيء ضوء المؤشر باللون الأبيض الثابت للإشارة إلى تشغيل الطاقة وأن الشاشة تعمل بصورة طبيعية. يشير الضوء الأزرق الثابت إلى أنه لا يوجد مصدر فيديو، أو وجود إشارة غير صحيحة أو الكشف عن جهد منخفض. يرجى التأكد من تشغيل حاسوبك وأن جميع كابلات الفيديو موصولة بالكامل.

أبيض	تعمل بشكل طبيعي
أزرق	لا يوجد مصدر فيديو إشارة غير صحيحة الكشف عن جهد منخفض

منافذ الشاشة

7	منافذ يو.إس.بي-إيه (USB-A)
8	منفذ يو.إس.بي-بي (USB-B)
9	منافذ إتش.دي.إم.أي (HDMI)
10	منفذ عرض "ديسبلاي بورت" (Display Port)
11	منفذ يو.إس.بي-سي (USB-C)
12	إخراج الصوت لساعات الرأس أو السماعات المتصلة بمصدر كهرباء
13	مُدخلات الطاقة





توصيل الأجهزة ذات وصلات يو.إس.بي (USB)

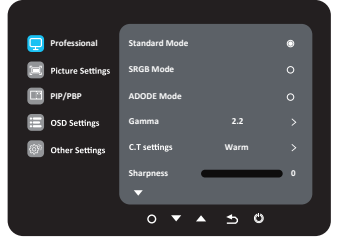
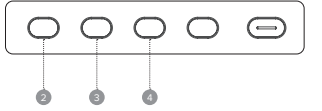
تشتمل الشاشة على منفذ يو.إس.بي (USB) من النوع "إيه" (A) يمكن إستخدامهما لتوصيل الحاسوب بإجهزة يو.إس.بي (USB) الطرفية مثل لوحة المفاتيح أو الفأرة أو كاميرا الويب.

لكي يتمكن الحاسوب من رؤية الأجهزة المتصلة بهذه المنافذ، يجب توصيل الحاسوب بأي من منفذ يو.إس.بي-سي (USB-C) ويو.إس.بي-بي (USB-B) أو أيهما.

ملاحظات:

- إذا كان الحاسوب متصلاً فقط بمنفذ يو.إس.بي-سي (USB-C) على الشاشة، فستعمل المنافذ بسرعات يو.إس.بي (USB) 2.0 لأن حركة بيانات الفيديو تشارك كابل يو.إس.بي-سي (USB-C) مع بيانات يو.إس.بي (USB). هذه السرعة كافية لمعظم الأجهزة الطرفية مثل لوحات المفاتيح والفأرة وكاميرات الويب.

- إذا كان الحاسوب متصلاً بمنفذ يو.إس.بي-بي (USB-B) على الشاشة، فستعمل المنافذ بسرعات يو.إس.بي (USB) 3. بفضل هذا في حالة استخدام أجهزة تخزين عالية السرعة مثل محركات الأقراص الصلبة الخارجية ومحركات أقراص يو.إس.بي (USB) المحمولة.



احترافي

خيارات للتبديل بين أوضاع الألوان في Clarity، وضبط جاما، ودرجة حرارة اللون، والحدة، والتدرج، والتشيع، ووظيفة السطوع الديناميكي.

إعدادات OSD

خيارات لضبط مظهر قائمة Clarity (العرض على الشاشة أو OSD)، بما في ذلك لغتها. يمكنك أيضاً تغيير وظيفة مفاتيح التشغيل السريع الخاصة بـ Clarity.



توصيل أجهزة الصوت

يدعم منفذ الصوت على الشاشة فقط أجهزة الإخراج مثل سماعات الرأس ومكبرات الصوت. لا يمكن توصيل الميكروفونات أو أجهزة الإدخال الأخرى بهذا المنفذ. يمكن توصيل سماعات الرأس المزودة بميكروفونات مدمجة بهذا المنفذ، لكن الميكروفون لن يعمل.

لإرسال صوت من حاسوبك إلى سماعات الشاشة أو جهاز الصوت المتصل بالحاسوب، اختر "32C4KPD" ليكون الوجهة الصوتية في إعدادات الصوت بحاسوبك.

وظائف قائمة العرض على الشاشة (OSD)

يتيح لك العرض على الشاشة (OSD) ضبط الإعدادات على شاشتك.

1. اضغط **2** للدخول إلى قائمة العرض على الشاشة (OSD).
2. اضغط **3** أو **4** لتصفح الوظائف.
 - اختر الوظيفة المطلوبة، ثم اضغط **2** للدخول إلى القائمة الفرعية.
 - اضغط **2** أو **3** لتصفح القوائم الفرعية ، ثم اضغط **2** لاختيار الوظيفة المطلوبة.
 - اضغط **3** أو **4** لاختيار أحد الخيارات، ثم اضغط **2** لتأكيد الإعدادات والخروج من الشاشة الحالية.
3. اضغط **3** أو **4** لضبط الإعدادات، ثم اضغط **2** لتأكيد التغييرات والخروج.

بيباي بي بي

خيارات لتمكين وتكوين أوضاع الصورة داخل/خارج الصورة في Clarity، لعرض مداخل متعددة في وقت واحد.

إعدادات الصورة

خيارات لضبط سطوع والتباين والنطاق الديناميكي العالي والتباين الديناميكي ونسبة العرض إلى الارتفاع. يمكنك أيضاً تبديل صورة Clarity بين العذات مسيقة مختلفة، مثل أوضاع القراءة أو الفيلم.

إعدادات اخرى

خيارات لضبط إشارة إدخال الوضوح والصوت ومنافذ USB وتعديل السطوع الديناميكي ووظائف توفير الطاقة.



التفكيك والتخزين

قبل تفكيك الشاشة، تأكد من وضع الصندوق على سطح مستو ونظيف.

1. افتح غطاء صندوق الشاشة، وأخرج درج الفلين العلوي وضعه على أحد الجوانب.
2. ضع الحقيبة الناعمة فوق الشاشة ثم ضعها ووجهها لأسفل في درج الفلين في الصندوق. تأكد من وضع الحقيبة في وضع مسطح على الشاشة، وأنها غير مطوية أو متكتلة. قد يؤدي التكتل المفرط للحقيبة الناعمة تحت الشاشة إلى إتلاف الشاشة عند وضعها في الصندوق.
3. افتح الحقيبة للكشف عن مكان توصيل الشاشة بالحامل. ادفع مرلاج تثبيت حامل الشاشة باتجاه الحافة العلوية للشاشة وارفع قاعدة الحامل أعلى لتحرير الحامل من الشاشة.
4. أغلق الحقيبة مع طيها بعناية على الجزء الخلفي من الشاشة. ضع درج الفلين العلوي أعلى الشاشة في الصندوق.
5. فكك المسامير لتفصل القاعدة عن الحامل وضع كلتا القطعتين في درج التعبئة العلوي المصنوع من الفلين.



توصيل الشاشة

توصيل كابل الطاقة

وضل كابل الطاقة المضمن بيموصل الطاقة، ثم وصل الطرف الآخر بمأخذ الحائط.

توصيل مصدر الفيديو

تشتمل الشاشة على أربعة مداخلات فيديو يمكن توصيلها في وقت واحد. لتوصيل حاسوب أو جهاز مصدري آخر، وصل أحد الكابلات المرفقة سواء (HDMI) أو "ديسبلاي بورت" (DisplayPort) أو يو.إس.بي-سي (USB-C) بالحاسوب وفي المنفذ المقابل على الشاشة.

ملاحظات:

- سيوفر اتصال يو.إس.بي-سي (USB-C) ما يصل إلى 65 واط من الطاقة لأجهزة الحاسوب التي تدعم تقنية الإمداد بالطاقة على وصلات يو.إس.بي (USB PD). يسمح هذا بالحاسوب بعرض الفيديو على الشاشة أثناء الشحن بواسطة كابل واحد. نتيجة لذلك، يعد نوع اتصال يو.إس.بي-سي (USB-C) هو الخيار الأفضل إذا كان حاسوبك يتمتع بهذه الإمكانية.

- اعتماداً على إمكانيات الحاسوب، قد لا يُمكن توفير دقة صورة (4 كيه 4) بمعدل تحديث كامل يبلغ 60 هرتز، عند توصيل الشاشة باستخدام كابل (HDMI). يجب استخدام اتصال يو.إس.بي-سي (USB-C) أو "ديسبلاي بورت" (DisplayPort) ليكوّنوا التفضيل الأول إذا كان الحاسوب يدعم هذان النوعان من الاتصال.

- لا تدعم جميع منافذ يو.إس.بي-سي (USB-C) على الحواسيب إخراج الفيديو والشحن باستخدام يو.إس.بي بتقنية بي-دي (USB PD) أو أيهما. إذا كان حاسوبك لا يعرض الفيديو على الشاشة أو لا يبدأ الشحن عند توصيله بالشاشة باستخدام يو.إس.بي-سي (USB-C)، فتتحقق من أن منفذ يو.إس.بي-سي (USB-C) على الحاسوب يدعم إخراج فيديو "ديسبلاي بورت" بالوضع التبادلي (DisplayPort Alternate Mode) وبدعم كذلك الشن عبر تقنية الإمداد بالطاقة بواسطة يو.إس.بي (USB PD).

- لا تدعم كل كبلات يو.إس.بي-سي (USB-C) نقل الفيديو أو الشحن بقدره تفوق 60 واط. يوصى باستخدام كابل يو.إس.بي-سي (USB-C) المرفق مع الشاشة لتجنب المشكلات المحتملة مع الكابلات الواردة من مصادر أخرى.

مخرج الصوت

الشاشة مزودة بمكبرات صوت مدمجة بالإضافة إلى مقبس إخراج الصوت للسماح بتوصيل سماعات الرأس ومكبرات الصوت الخارجية. عند توصيل جهاز صوت خارجي، ستُعطل مكبرات الصوت الموجودة على الشاشة.



راجع الرسوم التوضيحية في الصفحتين 6 و 7

فك الحزمة والتجميع



قبل إخراج الحامل من العبوة، تأكد من وضع الصندوق على سطح مستو ونظيف.

1. افتح غطاء صندوق الشاشة، وأخرج درج الفلين العلوي الذي يحتوي على الحامل وضعه على أحد الجوانب.
2. افتح الحقيبة الناعمة التي تحمي الشاشة لكشف عن مكان تثبيت الحامل بالجزء الخلفي من الشاشة. اترك الشاشة موضوعة داخل درج الفلين لتجنب إتلافها أثناء تركيب الحامل.
3. أدخل الجزء العلوي من حامل الشاشة في مكان التثبيت الموجود بالجزء الخلفي من الشاشة واضغط لأسفل على الحامل حتى يستقر في مكانه محدثاً صوت طقطقة. لا تستخدم القوة المفرطة لضمان عدم إتلاف الشاشة.
4. ارفع الشاشة بحد من درج الفلين وضعها على المكتب لتجهيزها للاستخدام.

تحذير: لا تضغط على منطقة العرض بالشاشة أثناء تجميع الشاشة أو تحريكها. شاشة العرض قابلة للكسر - سيؤدي الضغط عليها بقوة إلى كسرها.

احتفظ بصندوق الشاشة وعبوة الفلين لنقل الشاشة أو تخزينها في المستقبل.

تحذير: تأكد من استقرار الحامل في مكانه وإعدائه لصوت طقطقة قبل رفع الشاشة.

خيارات التثبيت



تحتوي الشاشة على فتحات تثبيت متباعدة بمقاس 100 × 100 مم للسماح بتثبيتها على أي ذراع شاشة متوافق مع معايير (VESA) بمقاس 100 مم أو ملحق تثبيت حائطي (غير مرفق).

تكون فتحات التثبيت غائرة في المنطقة الموجودة على الجزء الخلفي من الشاشة حيث يتم تثبيت الحامل، وتكون مخفية بواسطة الحامل عند تثبيته. لا يمكن استخدام حوامل من نوع (VESA) مع الشاشة أثناء توصيل الحامل.

مرفق مع الشاشة فواصل تثبيت ملولبة (M4)، ويجب استخدامها عند تثبيت الشاشة على ذراع الشاشة أو أي حامل آخر. يمكنك تثبيت الشاشة بملحق تثبيت متوافق مع معايير (VESA) على النحو التالي.

1. ضع الشاشة ووجهها لأسفل في درج التغليف الخاص بها من الفلين.

⚠ لا تحاول وضع الشاشة على أي سطح غير مستو بما في ذلك الأسطح الناعمة مثل السجاد والمقاعد أثناء تركيب ملحقات التثبيت - فقد يحدث ذلك تلفاً للشاشة.

2. حدد مكان فواصل التثبيت في حقيبة الملحقات التي تأتي مع الشاشة. مع وضع الشاشة في درج الفلين الخاصة بها، اربط الفواصل الأربعة في الفتحات الموجودة في التحويف موضع تثبيت الحامل. لا تفرط في إحكام الربط - فقد يؤدي إحكام الربط المفرط إلى إلحاق الضرر بالشاشة.

3. اربط ملحق التثبيت المتوافق مع معايير (VESA) في فواصل التثبيت.

⚠ لا تضغط على الجزء الخلفي من الشاشة أثناء تركيب ملحقات التثبيت - فقد يؤدي الضغط على الشاشة لأسفل إلى تشققها أو إتلافها بأي شكل آخر.

4. ارفع الشاشة وملحقات التثبيت بحرص شديد خارج الدرج وضعهما في مكانهما النهائي.

تأكد من وجود خلوص بمقدار 50 مم حول جميع جوانب الشاشة عند تثبيتها لضمان عدم ارتفاع درجة حرارتها فوق الحد.



تحذيرات

استخدم الشاشة في الأماكن المغلقة الجافة فقط. لا تستخدم الشاشة في الأماكن الرطبة أو بالقرب من مصادر المياه مثل الحمامات والمطابخ.

يجب تخزين الشاشة واستخدامها في مكان بارد وجاف وجيد التهوية. لا تضعها بالقرب من مصادر الحرارة أو في ضوء الشمس المباشر.

تأكد من تثبيت الجهاز على سطح مستو وثابت. إذا تم وضع الجهاز على سطح غير مستو أو غير ثابت، فقد تسقط الشاشة وتتلف أو تتسبب في إصابة شخصية أو تلف أشياء أخرى.

من الطبيعي أن يكون الجهاز دافئاً قليلاً عند لمسها أثناء التشغيل. ننصح بتوفير التهوية الكافية وعدم تغطية الجهاز أثناء التشغيل.

ممنوع تغطية أو سد فتحات التهوية الموجودة على الغطاء الخلفي للشاشة. لا تستخدم الشاشة على سرير أو أريكة أو بطانية أو ما شابه ذلك حيث قد تتعرض للسقوط أو التدهور. لا توضع الشاشة بمصادر الطاقة التي تقع خارج هذه الحدود.

يوضح المصنع الموجود على الغطاء الخلفي للشاشة للجهد الكهربائي المقبول ونطاقات التردد. لا توضع الشاشة بمصادر الطاقة التي تقع خارج هذه الحدود.

في حالة عدم استخدام الجهاز لأسابيع أو شهور، يوصى بفضله عن مصدر الطاقة لتوفير الطاقة وحماية الجهاز من التلف الناتج عن الصواعق الناتجة عن زيادة الطاقة في حالة حدوث عاصفة رعدية.

ممنوع إدخال أي أجسام غريبة في فتحات التهوية الموجودة في غطاء الشاشة. فقد يحدث ذلك تلفاً أو يتسبب في نشوب حريق أو حدوث صدمة كهربائية.

لا تحتوي الشاشة على أجزاء يمكن للمستخدم صيانتها. سيؤدي تفكيك هذا المنتج أو محاولة إصلاحه بنفسك إلى إبطال الضمان وتعرضك لخطر الصدمة الكهربائية. إذا كنت تشك في وجود عطل بالجهاز، فترجى الاتصال بالبايع الذي اشتريته منه المنتج أو خدمة ما بعد البيع بشركة "الوجيك" للحصول على المساعدة.

لا تستخدم المنتج في حالة تلفه لأن ذلك قد يشكل خطر التسبب في إتلاف الأجهزة المتصلة ويعرضك لخطر الصدمة الكهربائية.

لا تسحق أو تقطع أو تسحب أو تلوى سلك الطاقة بشكل مفرط. في حالة تلف كابل الطاقة، لا تستخدم المنتج حتى يمكن الحصول على كابل طاقة بديل. قد يؤدي استخدام كابل طاقة تالف إلى حدوث صدمة كهربائية.

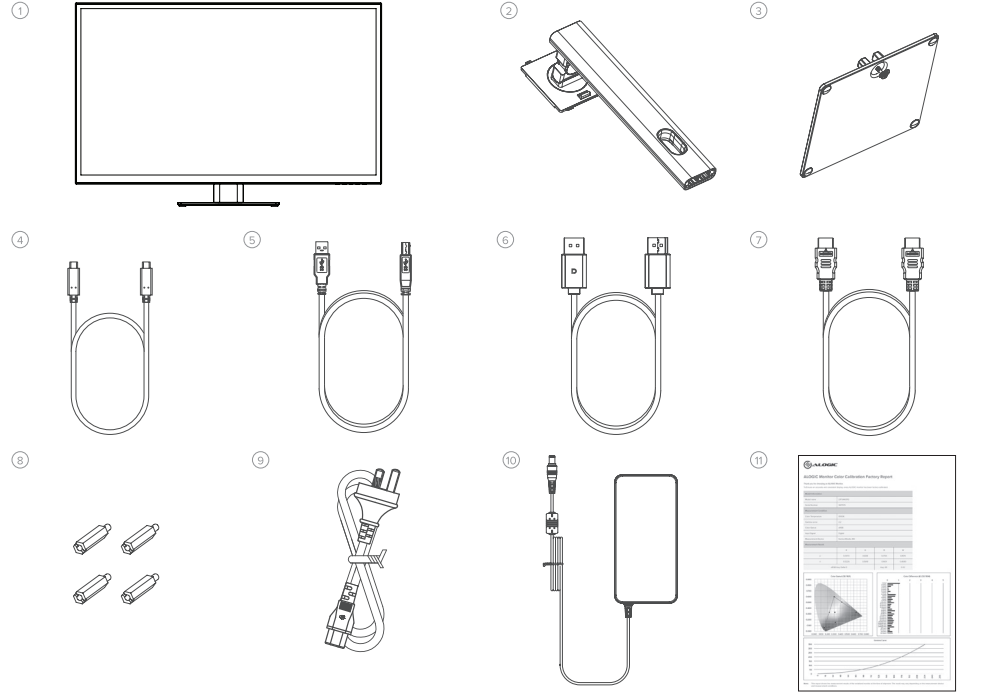
لا ترش السوائل على الشاشة. لا تستخدم مواد كيميائية مثل المذيبات على سطح الشاشة. يمكنك تنظيف الشاشة فقط عن طريق المسح بقطعة قماش من الألياف الصناعية الدقيقة على أن تكون نظيفة وجافة وباعمة ومقاومة للخدش.

سيؤدي تفكيك الجهاز أو الفشل في استخدامه استخداماً صحيحاً والعناية به إلى إبطال الضمان على المنتج.

لا تتحمل الوجيك أي مسؤولية عن الأضرار التي لحقت بالجهاز أو الأضرار العرضية الناجمة عن الاستخدام غير السليم أو إندعام العناية، وهي غير مسؤولة عن إصلاح الجهاز أو استبداله أو الأضرار الأخرى في هذه الظروف.

استكشاف الأعطال وإصلاحها

الأعراض	الحل
لا يضيء زر الطاقة عند الضغط عليه	<ul style="list-style-type: none"> تأكد من توصيل كابل الطاقة الرئيسي بإحكام بمحول الطاقة، ومن توصيله بأخذ الطاقة وتشغيل ماخذ التيار الكهربائي. تأكد من توصيل محوّل الطاقة توصيلاً محكمًا بالجزء الخلفي من الشاشة.
لا تعرض الشاشة فيديو	<ul style="list-style-type: none"> افصل محوّل الطاقة عن الشاشة وأعد توصيله في غضون 2-3 دقائق. اضغط مع الاستمرار على زر الطاقة لمدة 5 ثوانٍ لإعادة ضبط إعدادات الشاشة تصل بدعم الـ (ALOGIC) (إذا كانت النقاط أعلاه لا تعمل).
لا تعرض الشاشة فيديو (HDMI) أو "ديسبلاي بورت" (DisplayPort) من الحاسوب	<ul style="list-style-type: none"> تأكد من توصيل كابل الفيديو المناسب بين الحاسوب والشاشة ومن تحديد مصدر الإدخال الصحيح على الشاشة. راجع إعدادات حاسوبك للتحقق من أنه يكتشف الشاشة ويرسل مخرجات الفيديو إليها.
لا تعرض الشاشة فيديو (USB-C) من الحاسوب	<ul style="list-style-type: none"> تحقق من أنك تستخدم كابل يو.إس.بي-سي (USB-C) المرفق مع الشاشة. راجع إعدادات حاسوبك للتحقق من أنه يكتشف الشاشة ويرسل مخرجات الفيديو إليها. تأكد من أن منفذ يو.إس.بي-سي (USB-C) على حاسوبك المتصل بالشاشة يدعم إخراج الفيديو باستخدام وضع "ديسبلاي بورت" التبادلي (DP Alt Mode)
لا تشحن الحاسوب المحمول عند توصيله بالشاشة باستخدام (USB-C) يو.إس.بي-سي	<ul style="list-style-type: none"> تحقق من أن منفذ يو.إس.بي-سي (USB-C) على حاسوبك يدعم الشحن باستخدام معيار الإمداد بالطاقة عبر وصلات يو.إس.بي (USB-PD). تتطلب بعض الحواسيب المحمولة طاقة تزيد عن 65 واط لتشغيلها. تكون هذه الأجهزة في الغالب حواسيب ذات قدرات رسومية عالية الجودة ومتخصصة في الألعاب. إذا لزم الأمر، وصل محوّل الطاقة المرفق مع الحاسوب بحاسوبك المحمول بالإضافة إلى كابل يو.إس.بي-سي (USB-C) المتصل بالشاشة.



Содержимое упаковки

1	Монитор Clarity Max 32 дюйма
2	Стойка подставки
3	Основание подставки
4	Кабель USB-C – USB-C (USB3.2 - Gen1)
5	Кабель USB-A – USB-B
6	Кабель DisplayPort – DisplayPort

7	Кабель HDMI – HDMI
8	4 винта (для крепления к стене)
9	Сетевой шнур (~100-240 В, 50/60 Гц)
10	Блок питания
11	Отчет о калибровке цвета

Технические характеристики

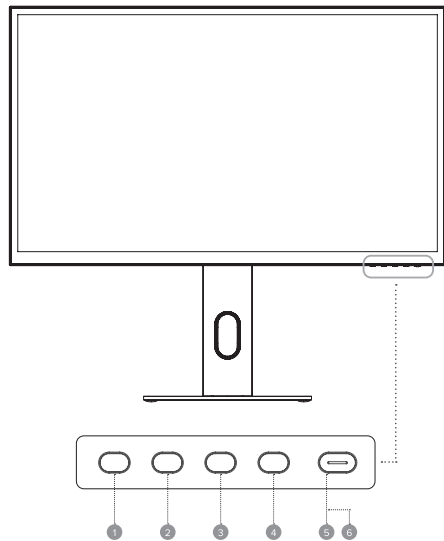
Модель	32C4KPD – Clarity Max
Диагональ	32"
Габариты	С подставкой: 726x481x250 мм (ШxВxГ) Без подставки: 726x428x57 мм (ШxВxГ)
Вес	С подставкой: 9,8 кг Без подставки: 6,5 кг
Материал	АБС, стекло, алюминий
Блок питания	Вход: ~100-240 В, 50/60 Гц Выход: =19,В/ 7,89 А, 150 Вт (макс.)
Соотношение сторон	16:9
Яркость	350 кд/м2 (тип.), 320 кд/м2 (мин.)
Матрица	IPS
Разрешение	DP1.4: 3840*2160@60 Гц HDMI2.0: 3840*2160@60 Гц
Частота обновления	60 Гц
Угол обзора	178°(В) / 178°(Г)

Контрастность	3000:1
Крепление VESA	100 x 100мм
Отображаемые цвета	16,7 млн.
Интерфейс	1x DP 1.4, 2x HDMI 2.0, 1x USB-C, 2x USB-A, 1x USB-B, 1x звуковой выход
Звук	Динамики: 2 x 5 Вт Звуковой выход: Да
Низкий уровень синего цвета	Да
Подавление мерцания	Да
Ускоренная зарядка USB PD	Питание главного компьютера до 65 Вт

يتوافق هذا الجهاز مع الجزء 15 من قواعد لجنة الاتصالات الفدرالية، يخضع التشغيل للشروطين التاليين:

(1) ألا يسبب هذا الجهاز تداخلاً ضاراً، و
(2) يجب أن يقل هذا الجهاز أي تداخل في تداخله الذي قد يتسبب تشغيلاً غير مرغوب فيه.
CAN ICES-3 (B)/NMB-3(B)

مصطلح HDMI (واجهة الوسائط المتعددة عالية الوضوح) وشعار HDMI هما علامات تجارية أو علامات تجارية مسجلة للترخيص لمؤسسة إتش.دي.إم.أي. لايسينسج أدمستريونر" في الولايات المتحدة الأمريكية وغيرها من البلدان.



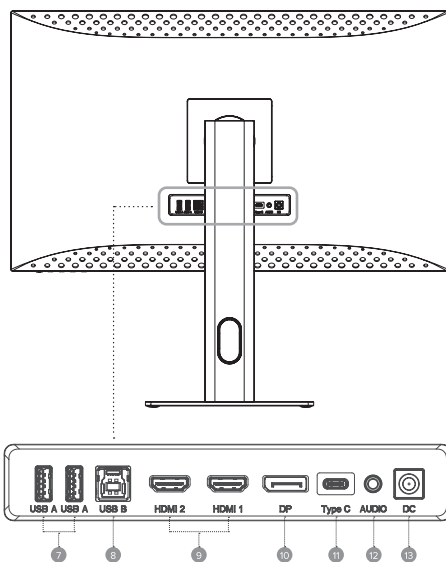
Органы управления монитора

1	Меню: вызов OSD меню или вход в подменю
2	Вверх/влево: перемещение по меню вверх/влево
3	Вниз/вправо: перемещение по меню вниз/вправо
4	Выход: выход из OSD меню
5	Питание: Вкл/Откл монитора
6	Кнопка питания со светодиодной индикацией

Свечение индикатора

Постоянное белое свечение – монитор включен и работает нормально
 Постоянное синее свечение обозначает, что нет видеосигнала, или несоответствующий видеосигнал либо низкий уровень сигнала.
 Проверьте, включен ли компьютер и подсоединены ли все видеокабели.

Синий	Нормальная работа
Белый	Нет видеосигнала Несоответствующий видеосигнал Низкий уровень сигнала



Порты монитора

7	Порты USB-A
8	Порт USB-B
9	Порты HDMI
10	Порт DisplayPort
11	Порт USB-C
12	Звуковой выход для подключения наушников или активных колонок
13	Разъем питания



Распаковка и сборка

Перед распаковкой поставьте коробку с подставкой на ровную чистую поверхность.

- Откройте картонную коробку, извлеките и отложите в сторону верхнюю пенопластовую обойму со стойкой.
- Откройте защитный пакет монитора, чтобы получить доступ к месту крепления подставки к тыльной стороне монитора. Во избежание повреждения оставьте монитор в пенопластовой обойме, пока не прикрепите к нему подставку.
- Вставьте верхнюю часть подставки в крепежное гнездо на тыльной стороне монитора и нажмите вниз до щелчка. Не прилагайте излишних усилий, чтобы не повредить монитор.
- Осторожно извлеките монитор из пенопластовой обоймы и поставьте на рабочий стол.

⚠ Предупреждение: При сборке и установке монитора не касайтесь его экрана. Экран хрупкий, его легко повредить.

Сохраните коробку и пенопластовую упаковку на случай переезда и хранения монитора.

⚠ Предупреждение: Перед извлечением монитора из обоймы проверьте, чтобы подставка надежно зафиксировалась в нем.



Монтажные приспособления

У монитора есть установочные отверстия для крепления VESA 100 x 100 мм настольного или настенного кронштейна (в комплект не входит).

Установочные отверстия находятся в углублении тыльной стороны монитора в месте крепления подставки, которая скрывает их, если установлена. С установленной подставкой крепление VESA недоступно.

В комплекте монитора есть установочные резьбовые стойки M4 для крепления к кронштейну или другим приспособлениям. Присоединение монитора к креплению VESA производится в следующем порядке.

- Положите монитор экраном вниз в его пенопластовую обойму.

⚠ Во избежание повреждения не кладите экран ни на какие неровные поверхности, даже мягкие, например, ковра или дивана.

- Отыщите в пакете принадлежностей монтажные распорки. Пока монитор лежит в пенопластовой обойме, ввинтите четыре распорки в соответствующие отверстия в углублении для присоединения подставки. Не прилагайте излишних усилий при затягивании резьбы, чтобы не повредить монитор.

- Привинтите к распоркам крепеж VESA.

⚠ Присоединяя крепежное приспособление не допускайте давления на тыльную сторону монитора, чтобы не повредить экран.

- Осторожно извлеките из обоймы монитор с креплением и установите в надлежащее место.

Во избежание перегрева вокруг монитора со всех сторон должно быть свободное пространство не менее 50 мм.



Разборка и хранение

Для разборки монитора поставьте коробку на ровную чистую поверхность.

- Откройте картонную коробку, извлеките и отложите верхнюю пенопластовую обойму.
- Оденьте на монитор защитный пакет и положите экраном вниз на нижнюю пенопластовую обойму в коробке. Проверьте, чтобы защитный пакет разравнялся по экрану без складок и сборок. Скопанный под экраном материал пакета может повредить экран после укладки в коробку.
- Откройте защитный пакет, чтобы получить доступ к месту крепления подставки к монитору. Отведите защелку в направлении верхней кромки экрана и поднимите основание подставки вверх, чтобы отсоединить ее от монитора.
- Закройте защитный пакет и аккуратно сложите на тыльной стороне монитора. Положите на монитор в коробке верхнюю часть пенопластовой обоймы.
- Отвинтите винт, отделяющий основание от подставки, и поместите обе части в верхнюю часть пенопластовой обоймы.



Подключение монитора

Подключение сетевого шнура

Вставьте один разъем шнура в ответный разъем блока питания, а второй – в розетку электросети.

Подключение источника видеосигнала

У монитора есть четыре видеовхода, которые можно подключить одновременно. Для подключения компьютера или другого источника видеосигнала соедините соответствующие порты кабелями HDMI, DisplayPort или USB-C.

Примечания:

- Через USB-C порт можно подать питание до 65 Вт на компьютер, если тот поддерживает ускоренную зарядку USB Power Delivery (USB PD). Это позволяет по одному кабелю заряжать компьютер и получать от него видео. Т. е., по возможности, лучше всего подключать компьютер по USB-C.
- По HDMI соединению компьютер может и не передать 4K видео с полной частотой кадров 60 Гц, даже если и может воспроизвести его. Если у компьютера есть порты USB-C или DisplayPort, то ими следует воспользоваться в первую очередь.
- Не все USB-C порты компьютера поддерживают передачу видео и/или функцию ускоренной зарядки USB PD. Если после подключения по USB-C компьютер не передает видео или не начал заряжаться, то следует проверить, а поддерживает ли он передачу видео в альтернативном режиме DisplayPort или зарядку USB PD.
- Не все кабели USB-C поддерживают передачу видео или зарядку мощнее 60 Вт. Во избежание неожиданностей рекомендуется пользоваться комплектным кабелем USB-C, а не приобретенным отдельно.

Звуковой выход

В мониторе есть два встроенных динамика и разъем для подключения наушников или активных динамиков. После подключения внешнего звукового устройства встроенные динамики замолкают.



Подключение звуковых устройств

К звуковому порту «Audio» дисплея можно подключать только такие устройства, как наушники и динамики. К этому порту не подключаются микрофоны и другие устройства подачи звукового сигнала. К этому порту можно подключить и наушники с микрофоном, но микрофон работать не будет.

Для передачи звука от компьютера на встроенные динамики монитора или присоединенные к нему звуковые устройства в настройках звука своего компьютера выберите «32C4KPD» как приемное устройство.

OSD меню

OSD (встроенное) меню предназначено для настройки монитора.

- Для вызова OSD меню нажмите кнопку ②.
- Кнопки ③ и ④ предназначены для выбора функций.
 - Выберите нужную функцию и нажмите кнопку ② для входа в подменю.
 - Нажатиями кнопок ③ и ④ выберите нужную функцию подменю и нажмите кнопку ② для подтверждения и выхода из текущей страницы.
- Нажатиями кнопок ③ и ④ установите нужное значение и затем нажмите кнопку ② для подтверждения и выхода.



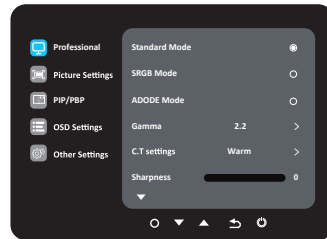
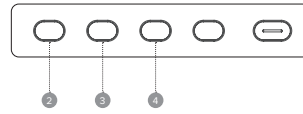
Подключение USB устройств

У монитора есть два USB порта типа A для подключения к компьютеру таких периферийных USB устройств, как клавиатура, мышь или веб-камера.

Чтобы опознать присоединенные к этим портам устройства, компьютер должен быть присоединен к одному или обоим портам USB-C или USB-B. Примечания:

-Если компьютер присоединен только к USB-C порту монитора, то порты дисплея будут работать на скорости USB 2.0, поскольку будут делить с видеоданными трафик USB-C кабеля. Такой скорости вполне хватит для клавиатуры, мыши или веб-камеры.

- Если компьютер подключен к USB-B порту монитора, то порты будут работать на скорости USB 3.0. Это лучше подойдет для подключения скоростных накопителей, например, жестких дисков или USB флешек.



Профессиональный

Параметры переключения между цветовыми режимами Clarity, регулировка гаммы, цветовой температуры, резкости, оттенка, насыщенности и функция динамической яркости.

Настройки изображения

Опции для настройки яркости, контрастности, расширенного динамического диапазона, динамической контрастности и соотношения сторон Clarity. Вы также можете переключать изображение Clarity между различными предустановками, такими как режимы чтения или видео.

ПИП/ПБП

Параметры включения и настройки режимов «картинка в картинке» и «по картинке» Clarity для одновременного отображения нескольких входов.

Настройки экранного меню

Параметры настройки внешнего вида меню Clarity (экранное меню или экранное меню), включая его язык. Вы также можете изменить функцию горячих клавиш Clarity.

Другие настройки

Опции для настройки входного сигнала Clarity, звука, портов USB, динамической регулировки яркости и функций энергосбережения.

Поиск и устранение неисправностей

Признаки	Способ устранения
После нажатия не подсвечивается кнопка питания	<ul style="list-style-type: none"> Проверьте, вставлен ли разъем сетевого шнура в блок питания, вставлена ли сетевая вилка в розетку и есть ли в розетке напряжение. Проверьте соединение блока питания с монитором.
Кнопка питания подсвечена, но на экране нет изображения	<ul style="list-style-type: none"> Отсоедините от монитора блок питания и присоедините снова через 2-3 минуты. Для сброса настроек монитора нажмите и удерживайте кнопку включения питания 5 секунд. Если указанное выше не помогло, обратитесь в службу поддержки компании ALOGIC.
На экране монитора не отображается видео через HDMI или DisplayPort порт компьютера	<ul style="list-style-type: none"> Проверьте, чтобы монитор и компьютер были соединены соответствующим кабелем и в настройках монитора был выбран соответствующий вход. По настройкам компьютера убедитесь, что он опознал монитор и подает на него видео.
На экране монитора не отображается видео через HUSB-C порт компьютера	<ul style="list-style-type: none"> Проверьте, чтобы использовался именно «родной» USB-C кабель монитора. По настройкам компьютера убедитесь, что он опознал монитор и подает на него видео. Проверьте, поддерживает ли этот USB-C порт компьютера альтернативный режим передачи видео DisplayPort (DP Alt. Mode).
Подключенный к порту USB-C монитора ноутбук не заряжается	<ul style="list-style-type: none"> Проверьте, поддерживает ли USB-C порт компьютера ускоренную зарядку по USB (USB-PD). Некоторые ноутбуки для зарядки нужно более 65 Вт. К таким обычно относятся графические или игровые компьютеры. При необходимости, в дополнение к USB-C кабелю присоедините к ноутбуку еще его блок питания.

Предупреждения

При сырой погоде используйте монитором только внутри помещения. Не пользуйтесь монитором в сырых местах или возле таких источников влаги, как ванная или кухня.

Храните или используйте монитор в прохладном, сухом и вентилируемом месте. Не размещайте монитор возле источников тепла или под прямыми солнечными лучами. Ставьте монитор на ровную устойчивую поверхность. На неровной или неустойчивой поверхности он может опрокинуться и повредиться, привести к травме или порче имущества.

При зарядке устройство может слегка нагреваться. Во время этого обеспечьте устройству нормальные условия вентиляции и ничем не накрывайте.

Запрещается закрывать или блокировать вентиляционные отверстия тыльной крышки монитора. Не ставьте монитор на кровать, диван, одеяло и т. п., где он может опрокинуться или могут блокироваться его вентиляционные отверстия.

На этикетке задней крышки монитора указаны диапазоны напряжения и частоты сетевого электропитания. Не подключайте монитор к источникам, параметры которых выходят за эти пределы.

Если устройство не используется неделями или месяцами, то рекомендуется отсоединить его от электросети для экономии электроэнергии и защиты от повреждения скачками напряжения в случае удара молнии.

Во избежание повреждения, пожара или поражения электрическим током не допускайте попадания посторонних предметов в вентиляционные отверстия корпуса монитора.

В мониторе нет обслуживаемых пользователем частей. Разборка или попытка ремонта станет причиной отмены гарантии изделия и подвергает Вас риску поражения электрическим током. Если полагаете, что устройство неисправно, то обратитесь к его продавцу или в отдел послепродажного обслуживания компании ALOGIC.

Не пользуйтесь изделием устройством с признаками повреждения, чтобы не повредить подключенные устройства и не подвергнуть себя опасности поражения электрическим током.

Не сдавливайте, не режьте, не растягивайте и не скручивайте излишне сетевой шнур. Запрещается включать изделие с поврежденным сетевым шнуром, а такой шнур следует немедленно заменить. Использование поврежденного сетевого шнура может привести к поражению электрическим током.

Не расплывайте на монитор жидкости. Не чистите поверхность монитора такими химическими веществами, как растворители. Монитор следует чистить только протиранием чистой, сухой, мягкой, не царапающей тканью из микрофибры.

В случае признаков разборки либо ненадлежащего использования и обращения гарантийные обязательства будут отменены. Компания ALOGIC не несет никакой ответственности за повреждение устройства или косвенный ущерб, возникший в результате неправильной эксплуатации или ненадлежащего ухода и не обязана производить ремонт или замену устройства при таких обстоятельствах.



Это устройство соответствует требованиям части 15 правил Федеральной комиссии по связи (FCC, США). Эксплуатация возможна при соблюдении следующих двух условий:

(1) Это устройство не может создавать недопустимых помех.

(2) это устройство может выдерживать воздействие любых помех, в том числе способных нарушать работу.

CAN ICES-3 (B)/NMB-3(B)

Термины HDMI и High-Definition Multimedia Interface (мультимедийный интерфейс высокой четкости) и логотип HDMI являются торговыми марками или зарегистрированными торговыми марками компании HDMI Licensing Administrator, Inc. в США и других странах.

FCC Compliance Statement

This device complies with Part 15 of the FCC Rules. Operation is subject to the following two conditions:

- (1) this device may not cause harmful interference, and
- (2) this device must accept any interference received, including interference that may cause undesired operation.

Changes or modifications not expressly approved by the party responsible for compliance could void the user's authority to operate the equipment.

This equipment has been tested and found to comply with the limits for a Class B digital device, pursuant to Part 15 of the FCC Rules. These limits are designed to provide reasonable protection against harmful interference in a residential installation. This equipment generates, uses and can radiate radio frequency energy and, if not installed and used in accordance with the instructions, may cause harmful interference to radio communications. However, there is no guarantee that interference will not occur in a particular installation.

If this equipment does cause harmful interference to radio or television reception, which can be determined by turning the equipment of and on, the user is encouraged to try to correct the interference by one or more of the following measures:

- Reorient or relocate the receiving antenna.
- Increase the separation between the equipment and receiver.
- Connect the equipment into an outlet on a circuit different from that to which the receiver is connected.
- Consult the dealer or an experienced radio/TV technician for help.

Responsible Party - U.S. Contact Information

ALOGIC USA LLC
3730 Parish Ave
Fremont CA 94536 USA

EU Declaration of Conformity

Hereby, ALOGIC Corporation declares that this product is in compliance with Directive 2014/53/EU. The full text of the EU declaration of conformity is available at the following internet address by clicking on the Compliance Documentation link at: www.alogic.co

Declaración de Cumplimiento FCC

Este dispositivo cumple con la Parte 15 de las Normas FCC. La operación está sujeta a las siguientes dos condiciones:

- (1) Este dispositivo puede no causar interferencias perjudiciales y
- (2) Este dispositivo debe aceptar cualquier interferencia recibida, incluidas las interferencias que puedan causar un FUNCIONAMIENTO NO DESEADO.

Cambios o modificaciones no expresamente aprobadas por la parte responsable de cumplimiento puede anular la autoridad del usuario para operar el equipo.

Este equipo ha sido probado y cumple los límites para un dispositivo digital Clase B, conforme a la Parte 15 de las Normas FCC. Estos límites están diseñados para proporcionar protección razonable contra interferencia dañina en una instalación residencial. Este equipo genera, usa y puede radiar energía de radio frecuencia y, si no es instalado y usado de acuerdo con las instrucciones, puede ocasionar interferencia dañina a las radiocomunicaciones. Sin embargo, no hay garantía que no ocurrirá interferencia en una instalación particular.

Si este equipo ocasiona interferencia dañina a la recepción de televisión o radio, la cual puede ser determinada encendiendo y apagando al equipo, el usuario es alentado a intentar corregir la interferencia por una o más de las siguientes medidas:

- Reorientar o reubicar la antena receptora.
- Aumentar la separación entre el equipo y el receptor.
- Conectar el equipo a un tomacorriente en un circuito diferente al cual el receptor está conectado.
- Consultar al distribuidor o a un técnico de TV/radio experimentado por ayuda.

Parte responsable - Información de contacto en Estados Unidos

ALOGIC USA LLC
3730 Parish Ave
Fremont CA 94536 USA