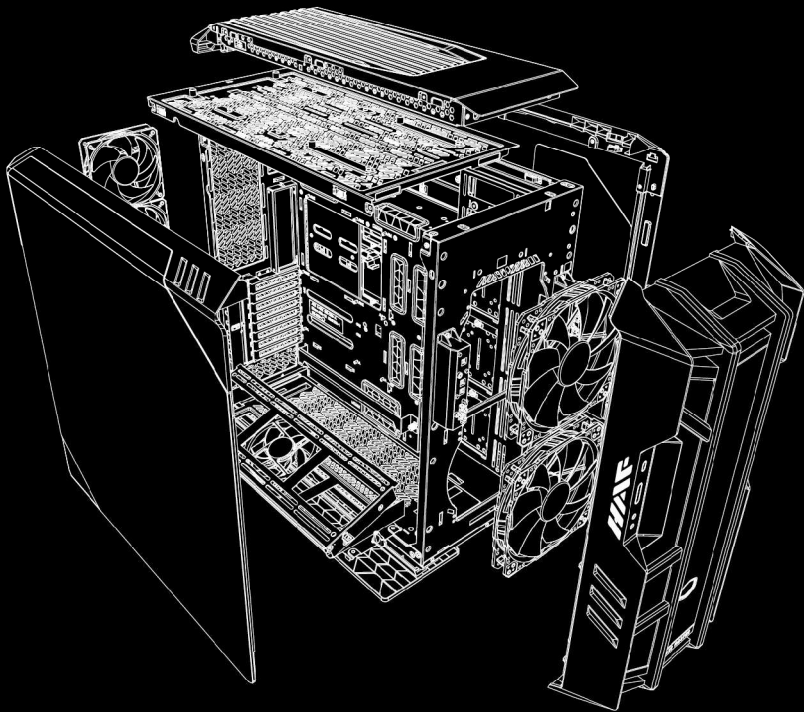




**Make It Yours.**



# HAF 700

User manual / English

Инструкция за експлоатация / Български

安装说明 / 简体中文

安裝說明 / 繁體中文

Handuch / Deutsch

Manual de Usuario / Español

Manuel de l'utilisateur / Français

Manuale d'uso / Italiano

ユーザーズマニュアル / 日本語

Handleiding / Nederlands










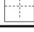


Instrukcja Użytkownika / Polski

## CONTENTS

<b>Package Content</b>	<b>2</b>
<b>Front I/O &amp; Buttons</b>	<b>3</b>
<b>Compatibility</b>	<b>3</b>
<b>Suggested builds</b>	<b>4</b>
<b>1</b> Remove side panels	<b>5</b>
<b>2</b> Install power supply	<b>6</b>
<b>3</b> Install motherboard	<b>7</b>
<b>4</b> Install GPU	<b>8</b>
<b>5</b> Install 3.5" drives	<b>10</b>
<b>6</b> Install 2.5" drives	<b>13</b>
<b>7</b> Install case fans and radiators	<b>15</b>
<b>8</b> Pump Installation	<b>19</b>
<b>9</b> Connect ARGB and Fan PWM	<b>22</b>
<b>10</b> Cable Management	<b>23</b>
<b>11</b> Cleaning dust filters	<b>25</b>
<b>12</b> Completing installation	<b>26</b>
<b>Warranty information</b>	<b>27</b>

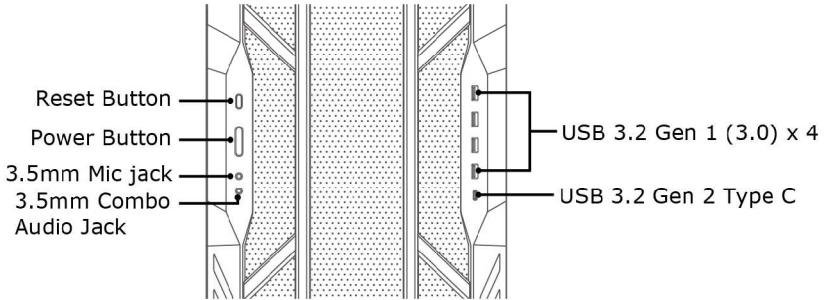
<b>Net Weight</b>		19.6kg / 43.2lb
<b>Available Color</b>		Titanium Grey, Black
<b>Materials</b>		Exterior: Mesh, Steel, Plastic Left Side Panel: Tempered Glass, Steel, Plastic
<b>Dimensions (LxWxH)</b>		666 x 291 x 626mm / 26.22 x 11.46 x 24.65inch
<b>Motherboard Support</b>		Mini-ITX, Micro-ATX, ATX, E-ATX, SSI-CEB, SSI-EEB
<b>Expansion Slots</b>		8
<b>Drive Bays</b>	2.5"/3.5"	9 (4*HDD bracket, 5*Screw+Rubber)
<b>I/O Port</b>		USB3.2 Gen2 x 1 USB3.2 Gen1(3.0) x 4 3.5mm Headset Jack (Audio+Mic) x 1 3.5mm Mic Jack x 1
<b>Pre-installed Fan(s)</b>	Front	200mm PWM ARGB Fan x 2 (Speed: 1000RPM / Connector: 4Pin PWM)
	Rear	120mm PWM ARGB Fan x 2 (Speed: 1800RPM / Connector: 4Pin PWM)
	Bottom radiator bracket	120mm PWM ARGB Fan x 1 (Speed: 1800RPM / Connector: 4Pin PWM)
<b>Fan Support</b>	Top	2 x 200mm, 3 x 140mm, 6 x 120mm (Remove 480mm bracket)
	Front	2x200mm
	Rear	2x120mm
	Bottom radiator bracket	3x140mm /3x120mm
	MB Tray / side mount	3x140mm /4x120mm
<b>Liquid Cooling Support</b>	Top	2x120mm,2x240mm,2x360mm (remove 480 bracket) , 1x140mm/280mm
	Rear	120mm, 140mm
	Bottom radiator bracket	120mm, 140mm, 240mm, 280mm, 360mm, 420mm
<b>Clearances</b>	MB Tray / side mount	120mm, 140mm, 240mm, 280mm, 360mm,420mm,480mm
	CPU Cooler	166mm
	GPU	490mm
<b>Power Supply Support</b>		ATX PSU

## Package Content / 包装内含物品清单 / 包装内含物品明细 / Verpackungsinhalt / Contenido del paquete / Contenu de l'emballage / Contenuto della confezione / Szczegółowa zawartość paczki / Inbgrepen / Содержание упаковки / パッケージ内容

	Figure	Name	Q'ty	Used for
1		#6-32*6mm screw	23	Motherboard & other
2		#6-32*10mm screw	4	Installing 3.5" HDD
3		M3*4mm screw	16	SSD / locking in SSD pockets
4		HDD screw	20	Installing 3.5" drives and Tempered glass mirror toollessly
5		SSD screw	20	Installing SSD toollessly
6		Stand-off	3	Motherboard tray mATX/SSI-EEB
7		Stand-off socket	1	Motherboard stand-off installation
8		φ5*10mm screw	12	Installing fans
9		φ3*7mm screw	1	Locking Add-in cards with screw
10		Cleaning Cloth	1	Cleaning glass
11		Cable Tie	10	Cable management
12		Velcro Tie	3	Cable management

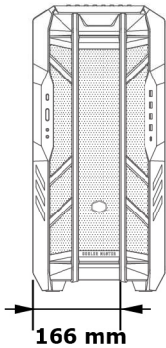
- EN** Front I/O & Buttons
- CHS** 前面板接口及按键说明
- CHT** 前面板接口及按键說明
- DE** Front I/O & Tasten
- ES** Frontal I/O & Botones
- FR** Boutons sur le panneau E/S de façade

- IT** Pulsanti e I/O frontali
- JP** フロントI/O パネル
- NL** Bedieningspaneel
- PL** Przedni panel I/O & Przyciski
- RU** Фронтальные кнопки и панель ввода/вывода

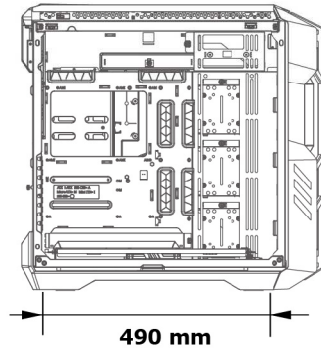


- EN** Compatibility
- CHS** 兼容性
- CHT** 相容性
- DE** Kompatibilität
- ES** Compatibilidad
- FR** Compatibilité

- IT** Compatibilità
- JP** パーツ互換性
- NL** Compatibiliteit
- PL** Zgodność
- RU** Совместимость

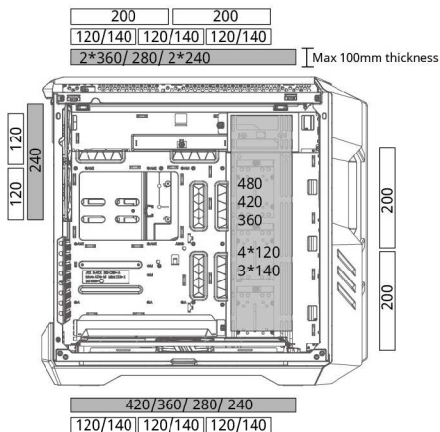
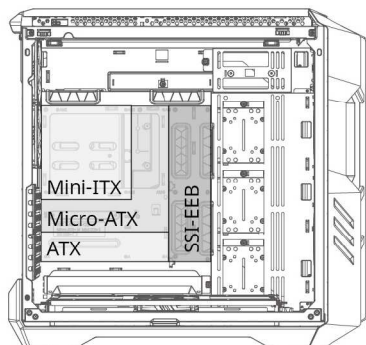


Maximum height for CPU cooler



Maximum length for Graphics card





**EN** Suggested builds

**CHS** 建议配置

**CHT** 建議配置

**DE** Empfohlene Layouts

**ES** Layouts recomendados

**FR** Dispositions recommandées

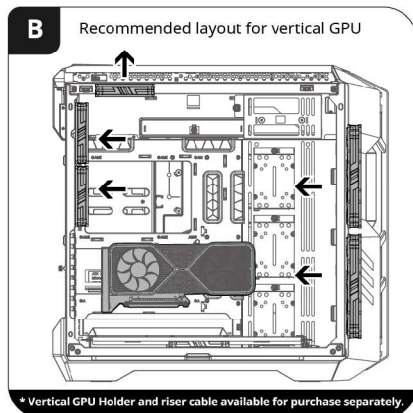
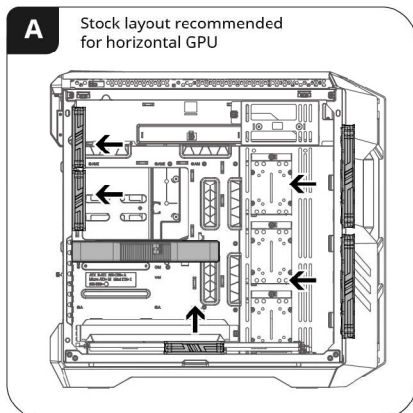
**IT** Layout Consigliati

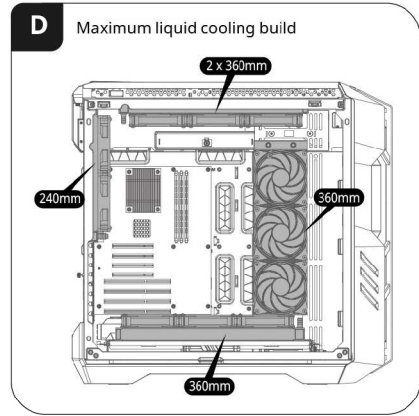
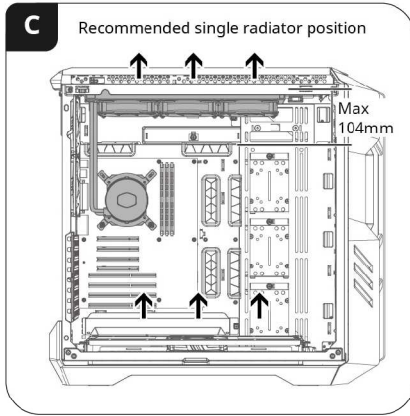
**JP** お薦めの配置

**NL** Voorbeeld configuraties

**PL** Rekomendowane Layouts

**RU** Рекомендуемые планировки





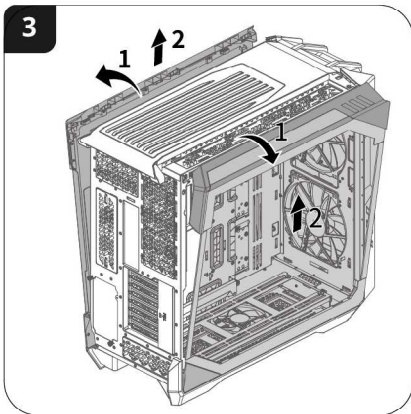
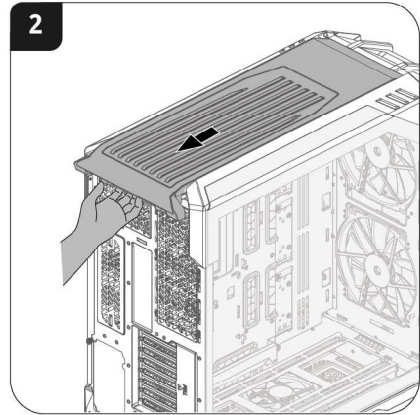
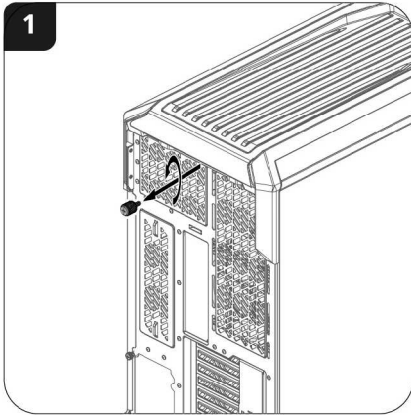
## Installation Guide

组装说明 / 組裝說明 / Installationsanleitung / Guía para la instalación / Guide d'installation / Guida per l'installazione /  
 Installatie-instructies / Instrukcja instalacji / Руководство пользователя / 製品の使い方

### 1 Remove side panels

- CHS 移除側板
- CHT 移除側板
- DE So entfernen Sie das Seitenpanel
- ES Como extraer el panel lateral
- FR Comment retirer le panneau latéral

- IT Come rimuovere il pannello laterale
- JP サイドパネルの取り外し方法
- NL Verwijderen van het zijpaneel
- PL Jak zdjąć pokrywę boczną
- RU Как снять боковую панель



## 2 Install power supply

**CHS** 安装电源

**CHT** 安裝電源

**DE** So installieren Sie das Netzteil

**ES** Como instalar la fuente de alimentación

**FR** Comment installer l'alimentation

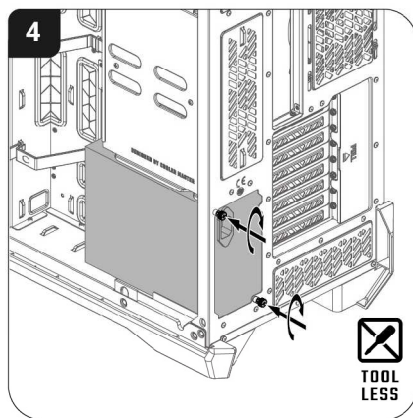
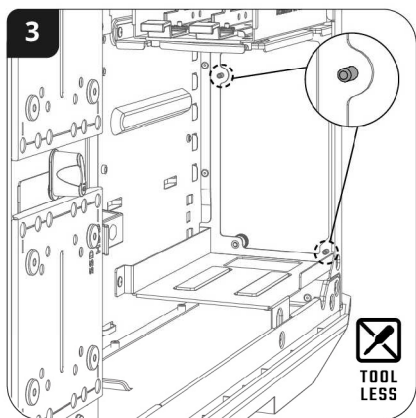
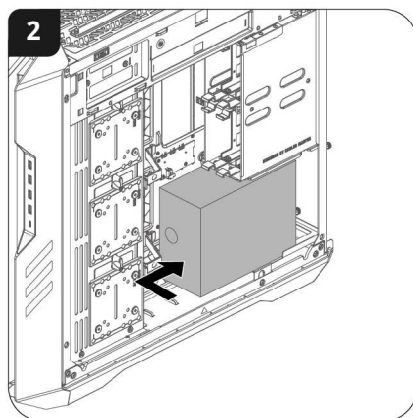
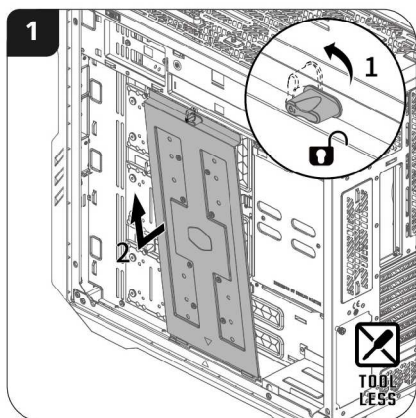
**IT** Come installare l'alimentatore

**JP** 電源ユニットの取り付け方法

**NL** Installeren van de voeding

**PL** Jak podłączyć zasilanie

**RU** Как установить блок питания



### 3 Install motherboard

**CHS** 安裝主板

**CHT** 安裝主機板

**DE** So installieren Sie das Motherboard

**ES** Como instalar la placa base

**FR** Comment installer la carte mère

**IT** Come installare la motherboard

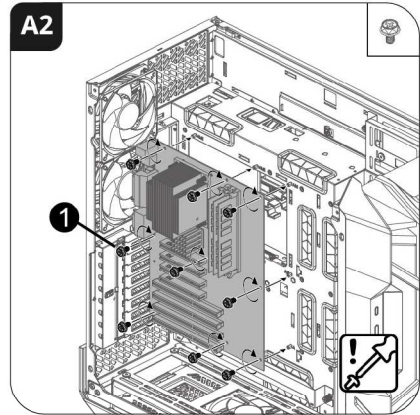
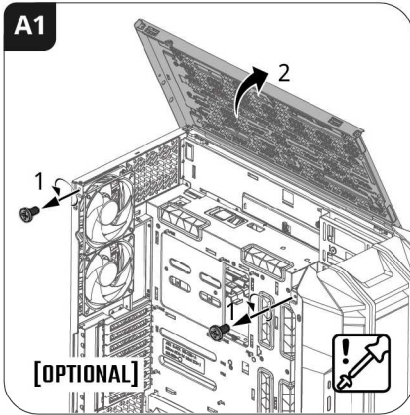
**JP** マザーボードの取り付け方法

**NL** Installeren van het moederbord

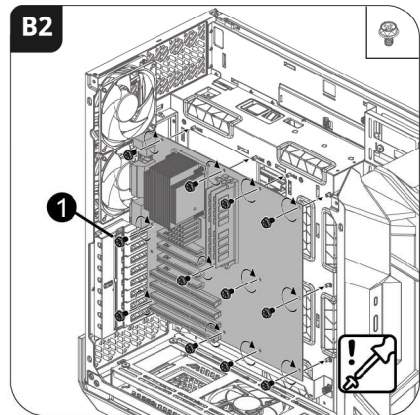
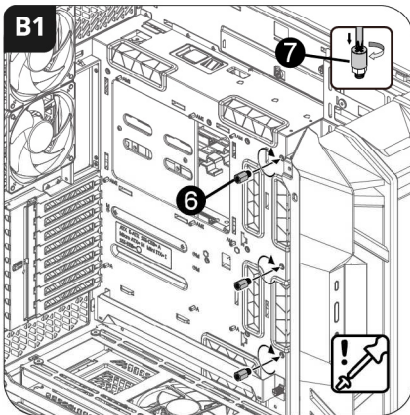
**PL** Jak zamontować płytę główną

**RU** Как установить материнскую плату

## A Installing ATX motherboard



## B Installing SSI-EEB motherboard



\*For other motherboard sizes please refer to motherboard manual.

## 4 Install GPU

[CHS] 安裝显卡

[CHT] 安裝顯示卡

[DE] So installieren Sie Erweiterungskarten

[ES] Como instalar tarjetas adicionales

[FR] Comment installer les cartes supplémentaires

[IT] Come installare le schede aggiuntive

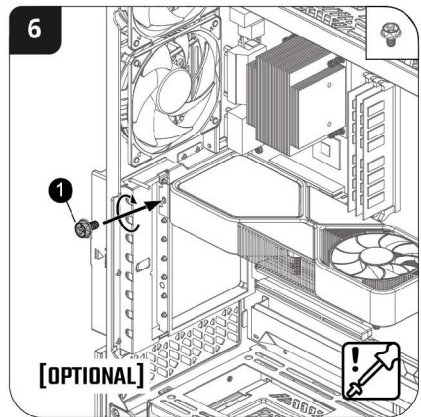
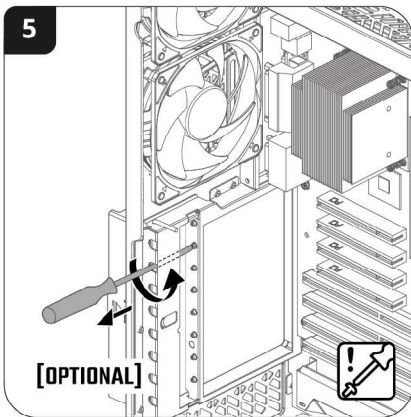
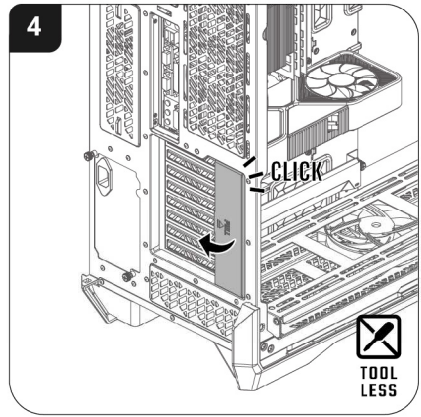
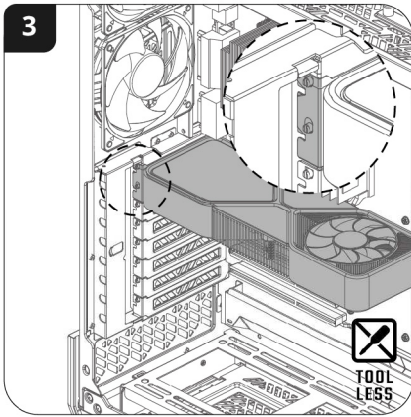
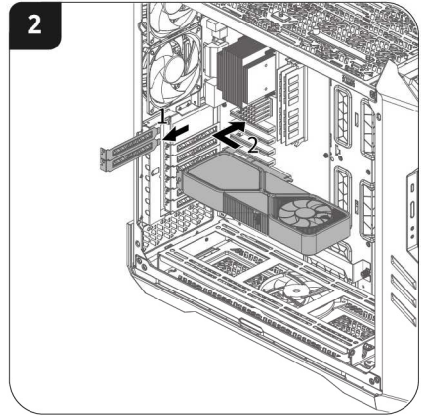
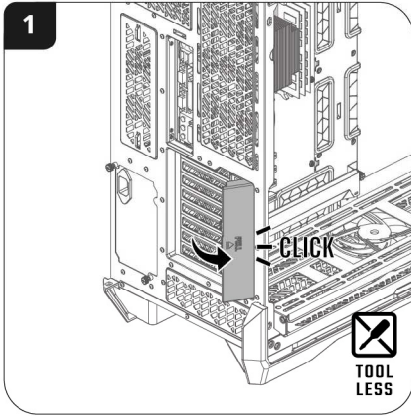
[JP] 拡張カードの取り付け方法

[NL] Installeren van de extra kaarten

[PL] Jak podłączyć karty rozszerzeń

[RU] Как установить карты расширения





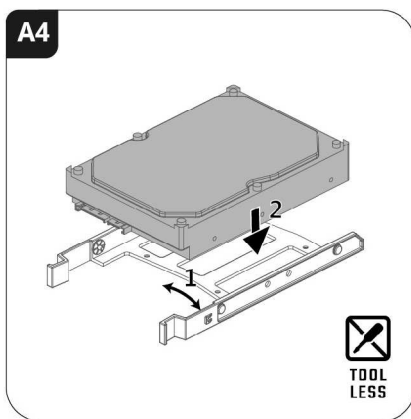
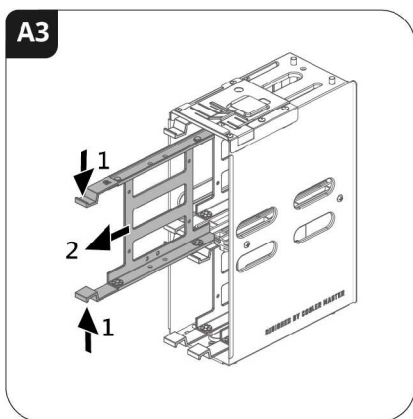
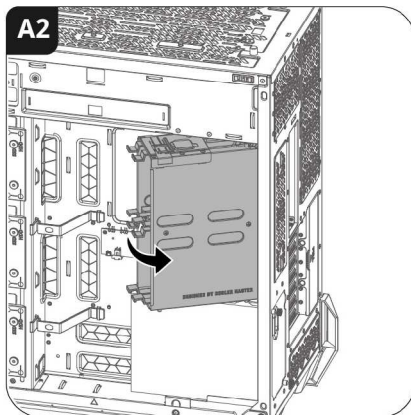
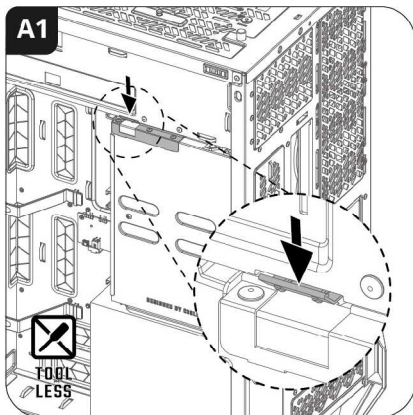
For locking with screws

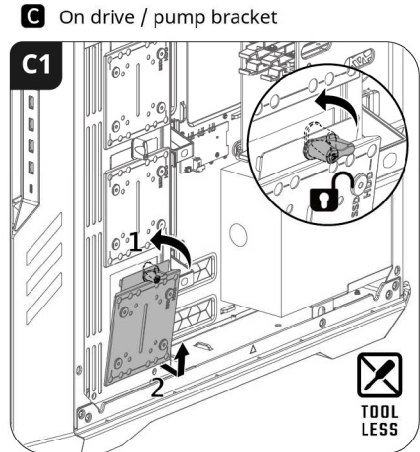
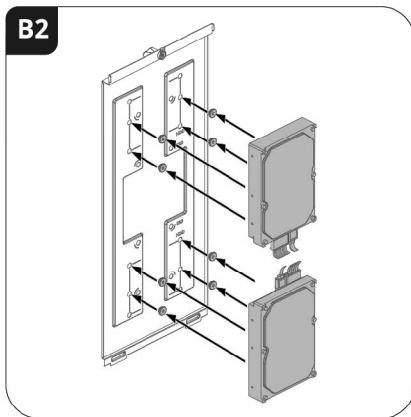
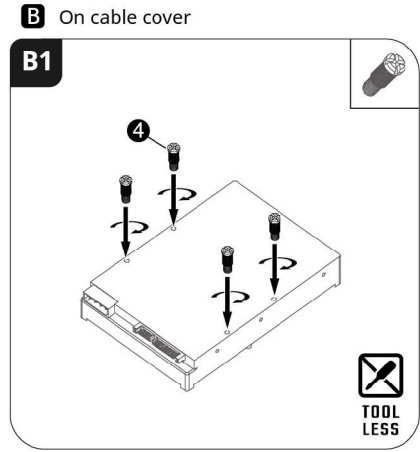
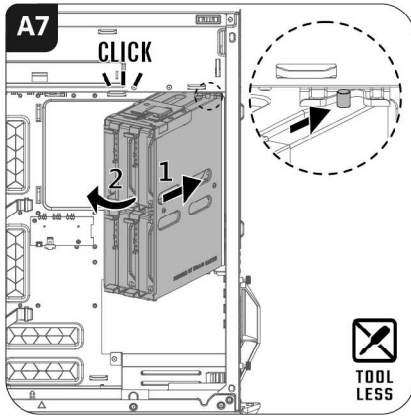
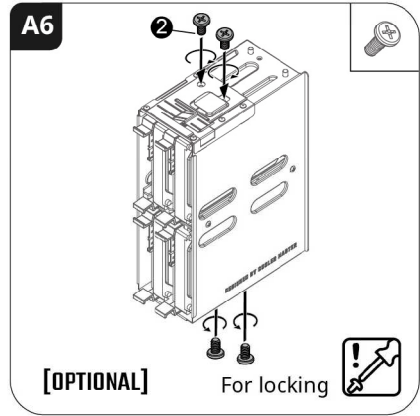
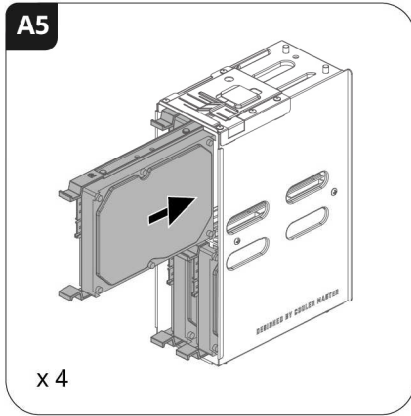
## 5 Install 3.5" drives

- [CHS]** 安裝3.5"裝置
- [CHT]** 安裝3.5"裝置
- [DE]** So installieren Sie 3,5 Zoll Geräte
- [ES]** Como instalar los dispositivos de 3.5"
- [FR]** Comment installer les périphériques 3.5 pouces

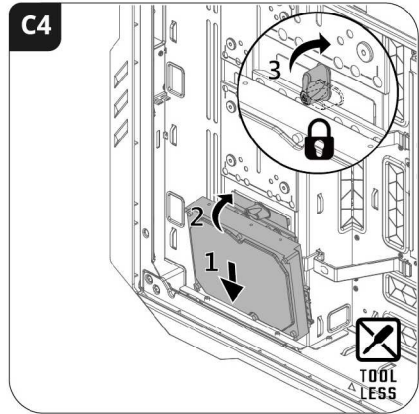
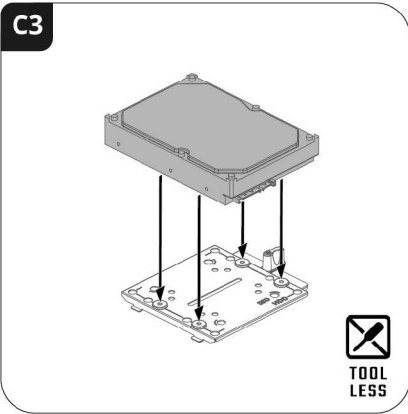
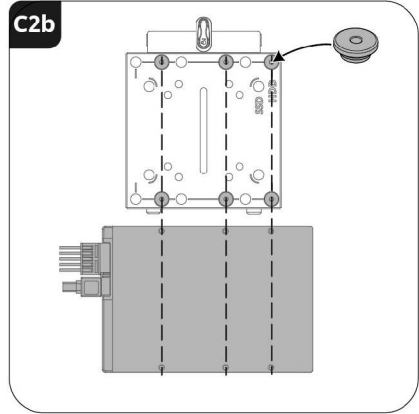
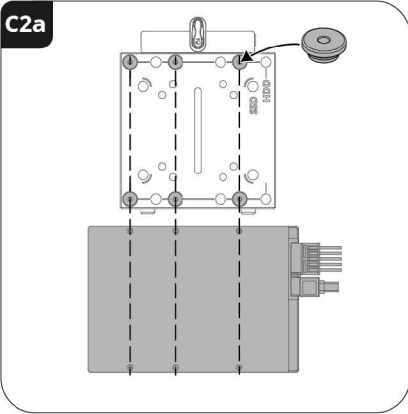
- [IT]** Come installare le unità da 3.5"
- [JP]** 3.5インチデバイス（HDDなど）の取り付け方法
- [NL]** Installeren van de 3.5" apparaten
- [PL]** Jak zamontować urządzenia 3.5 "
- [RU]** Как установить 3,5" устройства

### A In drive cage

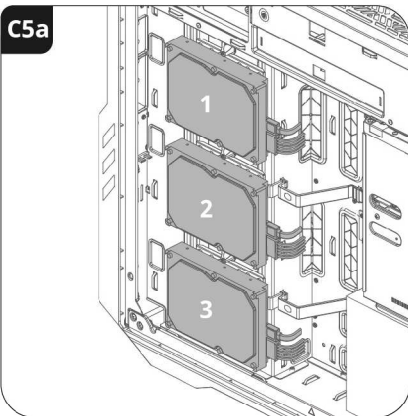




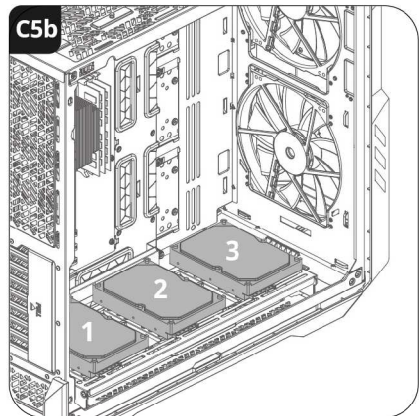




Available positions



Available positions



## 6 Install 2.5" drives

[CHS] 安裝2.5"裝置

[CHT] 安裝2.5"裝置

[DE] So installieren Sie 2,5 Zoll Geräte

[ES] Como instalar los dispositivos de 2.5"

[FR] Comment installer les périphériques 2.5 pouces

[IT] Come installare le unità da 2.5"

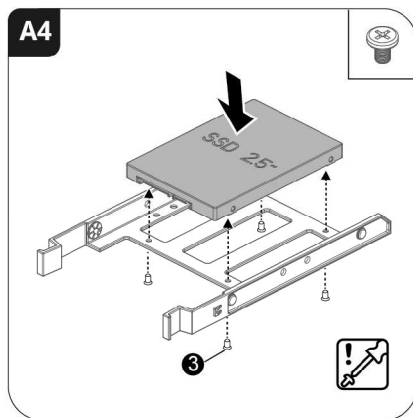
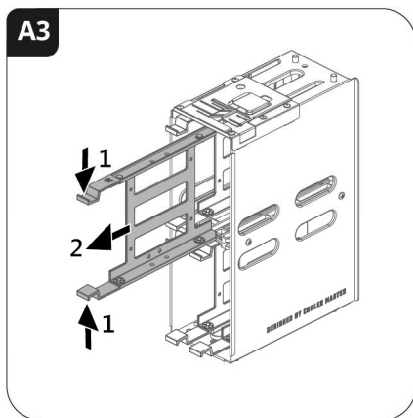
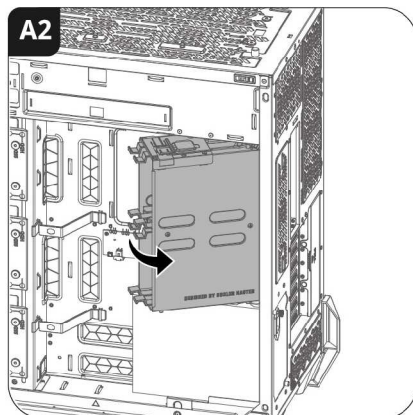
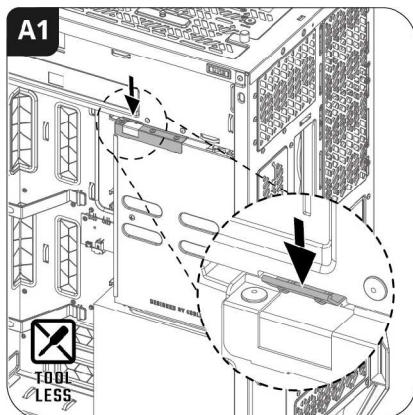
[JP] 2.5インチデバイス（SSDなど）の取り付け方法

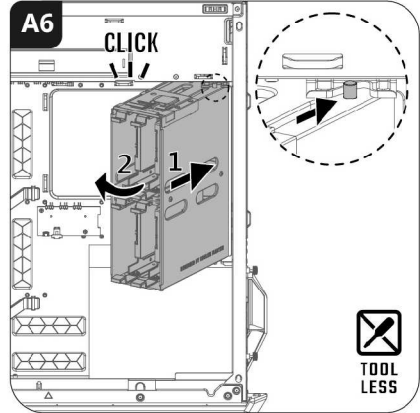
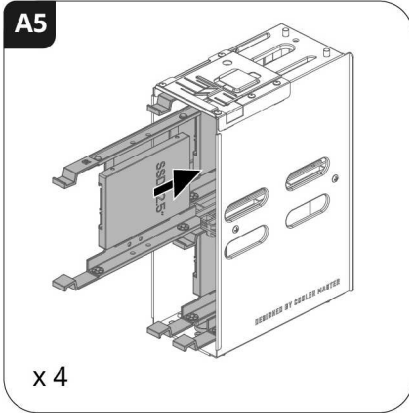
[NL] Installeren van de 2.5" apparaten

[PL] Jak zamontować urządzenia 2.5"

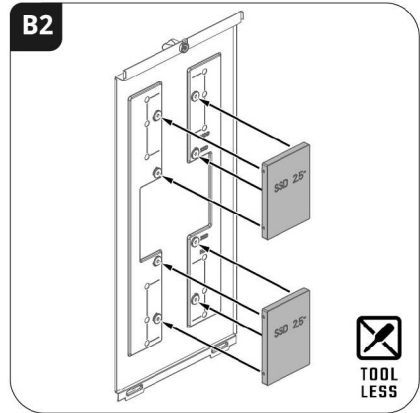
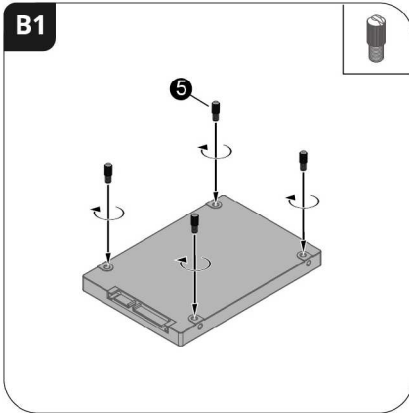
[RU] Как установить 2,5" устройства

### A In drive cage

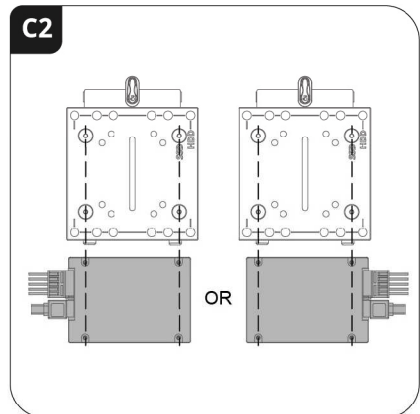
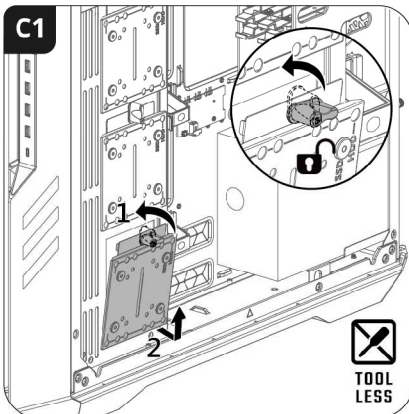


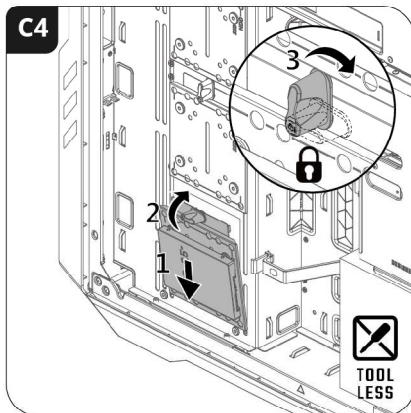
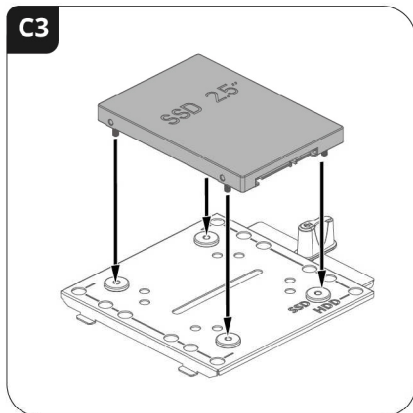


**B** On cable cover

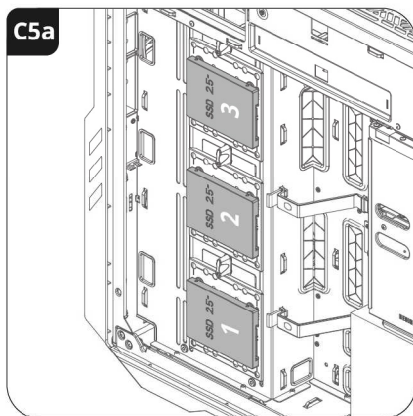


**C** On drive / pump bracket

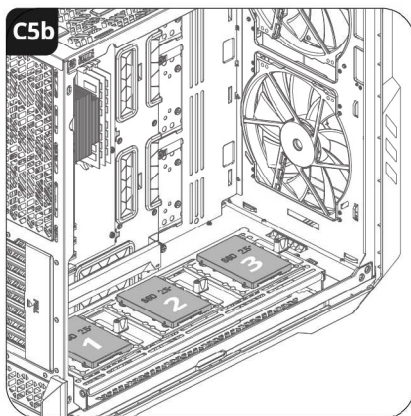




Available positions



Available positions



## 7 Install case fans and radiators

**[CHS]** 安裝風扇和水冷排

**[CHT]** 安裝風扇和水冷排

**[DE]** So installieren Sie Lüfter und Radiatoren

**[ES]** Como instalar ventiladores de caja y radiadores

**[FR]** Comment installer les ventilateurs et radiateurs

**[IT]** Come Installare ventole e radiatori

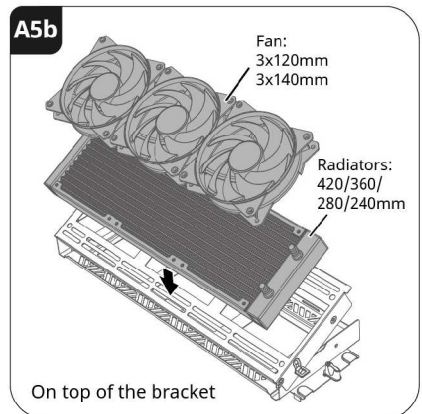
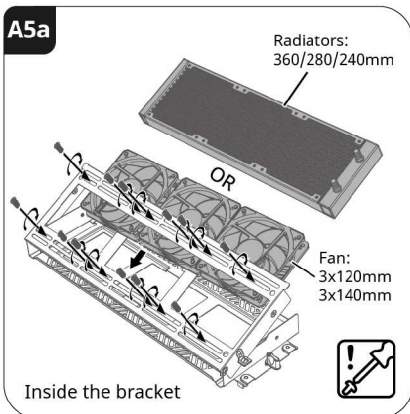
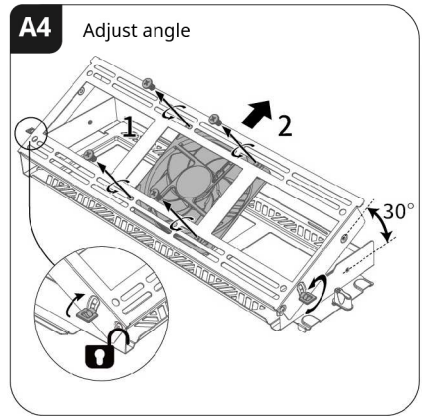
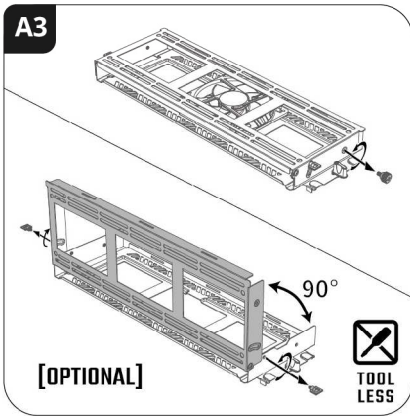
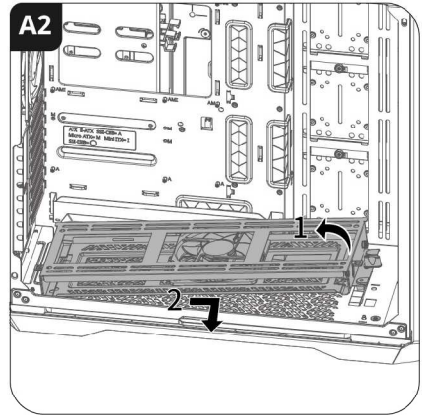
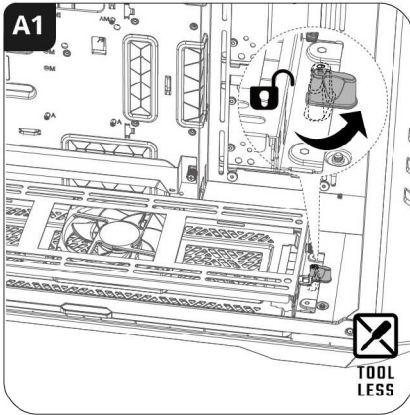
**[JP]** ケースファンとラジエーターの取り付け方法

**[NL]** Installeren van de ventilatoren en radiatoren

**[PL]** Jak zamontować wentylatory i radiatory

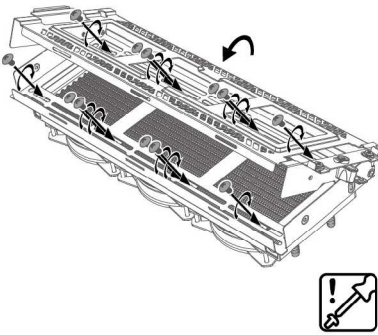
**[RU]** Как установить корпусные вентиляторы и радиаторы

## A Rotatable radiator bracket

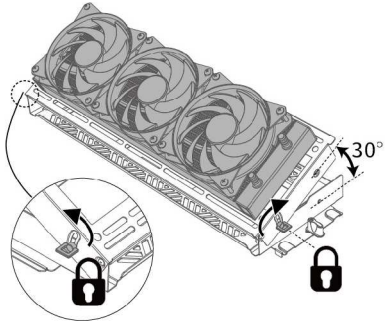




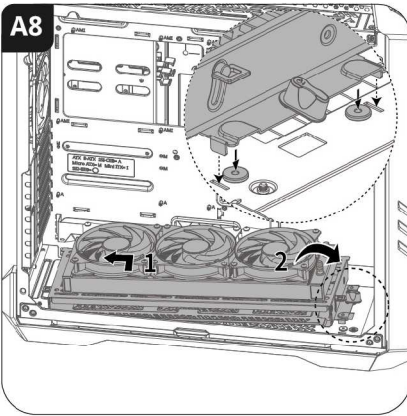
**A6** Flip over



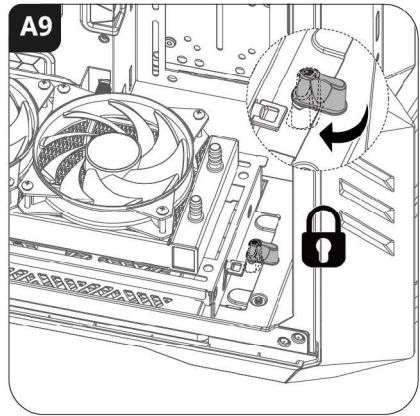
**A7**



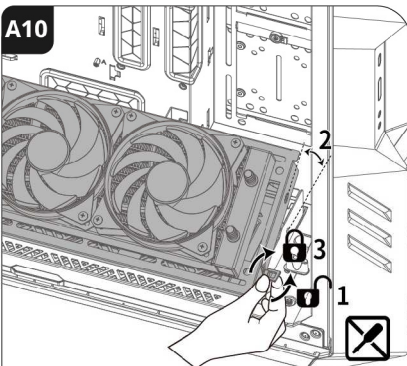
**A8**



**A9**



**A10**

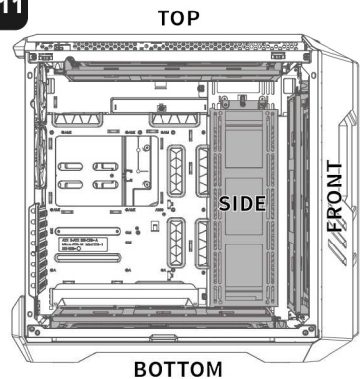


Adjust angle



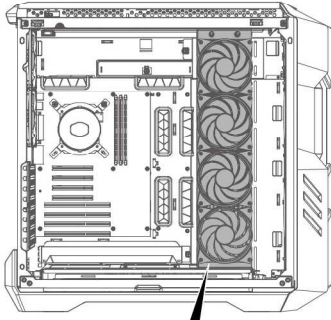
Available positions

**A11**



## B Install 480mm radiator

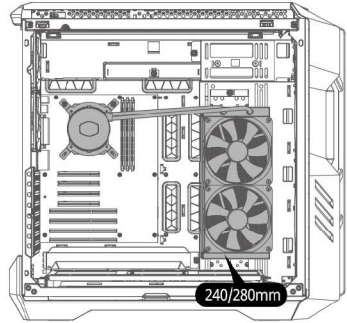
**B1**



Fan: 4 x 120mm/3 x 140mm  
Radiators: 240/280/360/420/480mm

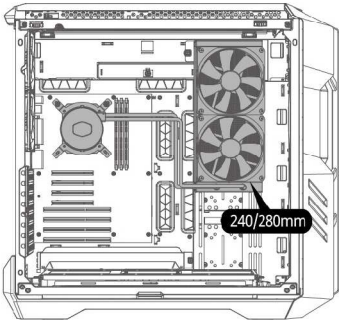
## C Install 240/280mm radiator

**C1A**



240/280mm

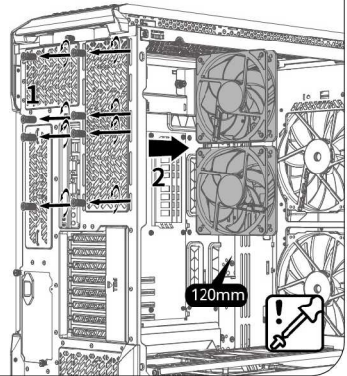
**C1B**



240/280mm

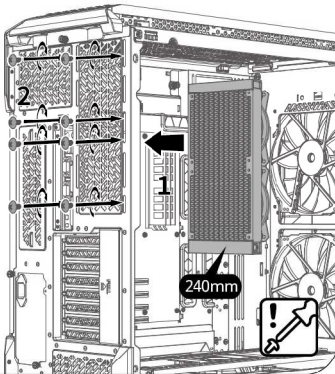
## D Install rear radiator

**D1**



120mm

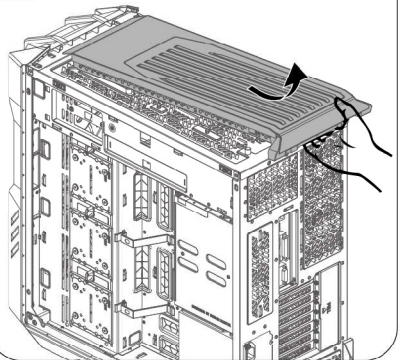
**D2**

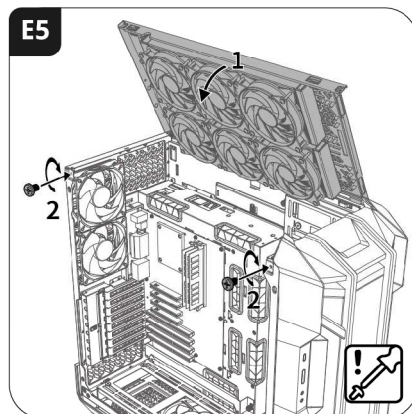
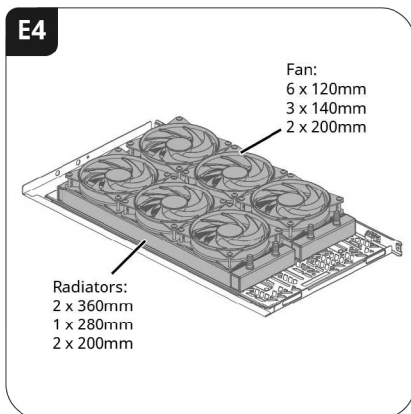
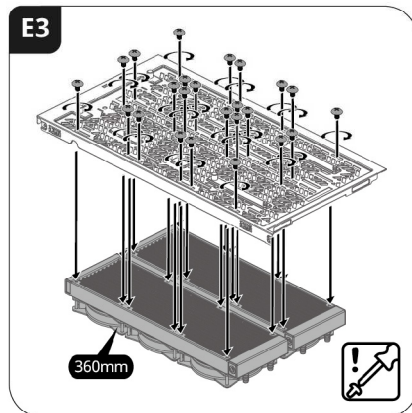
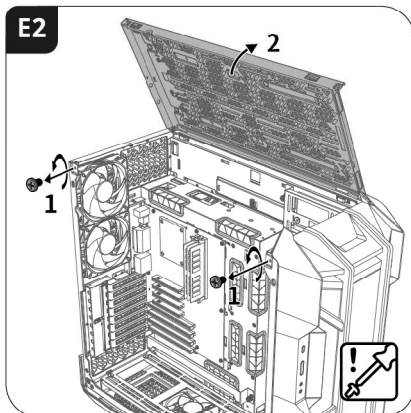


240mm

## E Install top radiator

**E1**





## 8 Pump Installation

[CHS] 水泵安裝指南

[CHT] 幫浦安裝指南

[DE] Pump enmontage

[ES] Instalación de la bomba

[FR] Installation d'une pompe

[IT] Installazione Pompa

[JP] ポンプインストール

[NL] Pomp Installatie

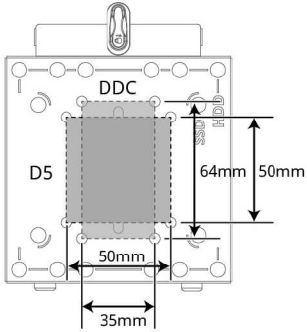
[PL] Montaż pompy

[RU] Установка насоса



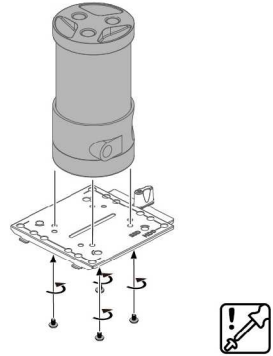
## A Perpendicular installation

**A1**

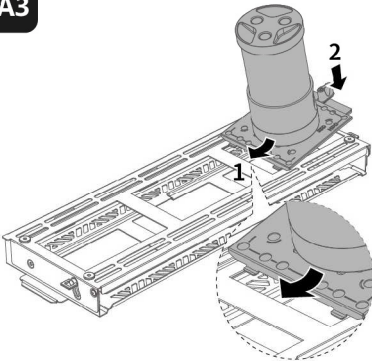


Drive / Pump bracket

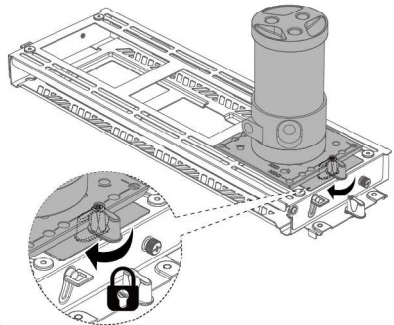
**A2**



**A3**

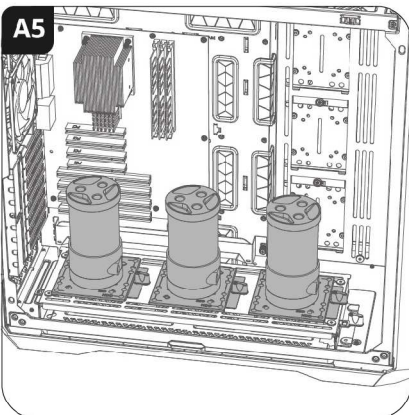


**A4**



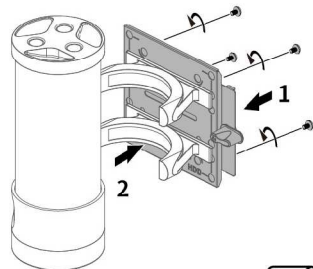
## Available positions

**A5**

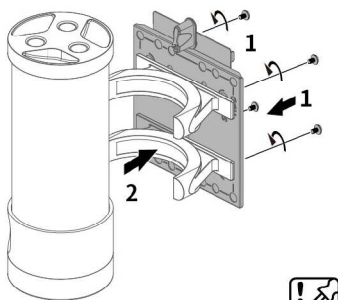


## B Parallel installation

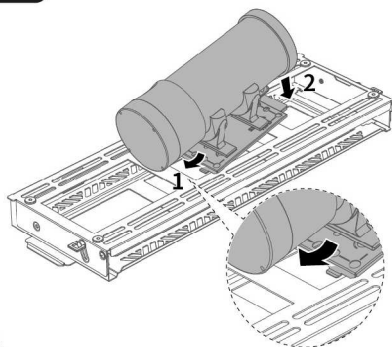
**B1a**



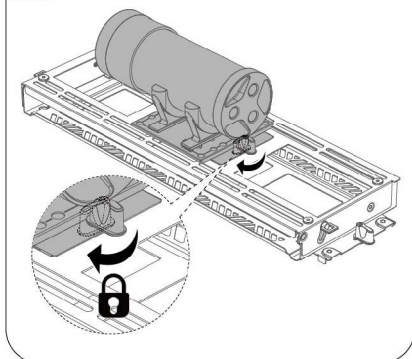
**B1b**



**B2**

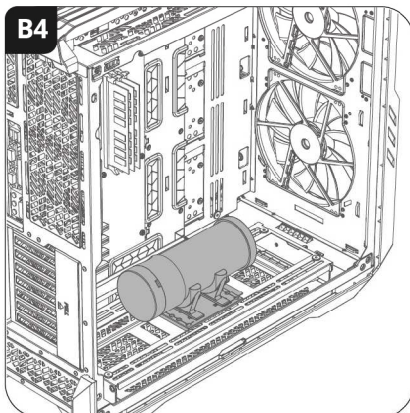


**B3**



Available positions

**B4**

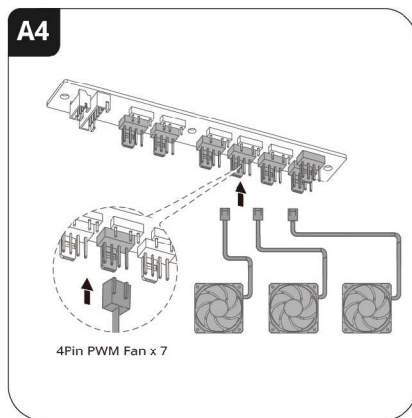
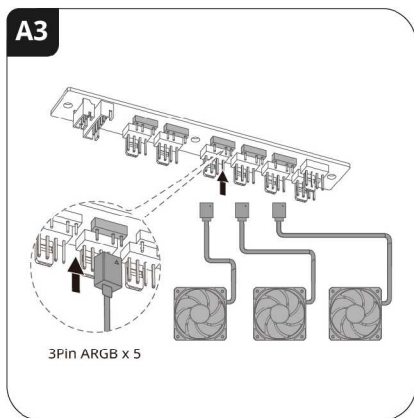
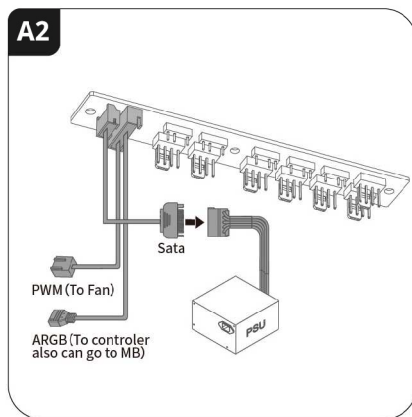
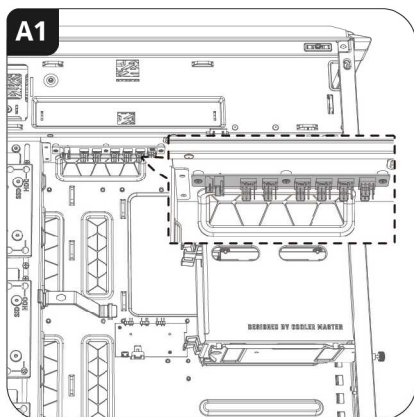


## 9 Connect ARGB and Fan PWM

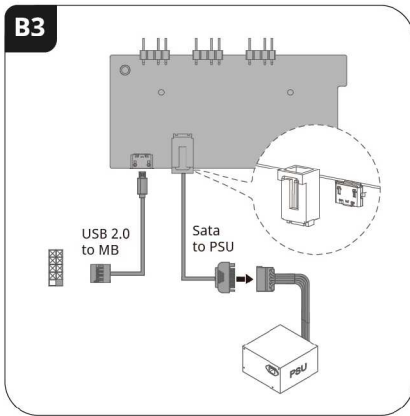
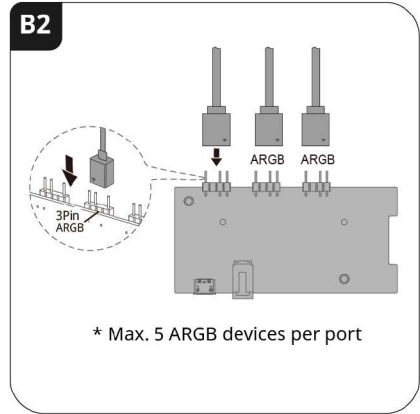
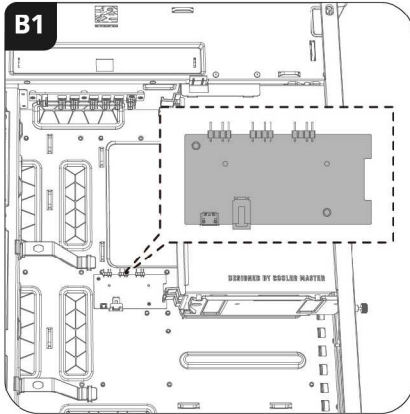
- [CHS]** 连接ARGB和风扇PWM
- [CHT]** 連接ARGB和風扇PWM
- [DE]** Anschluss von ARGB/PWM-Geräten an den Controller
- [ES]** Conexión de dispositivos ARGB/PWM al controlador
- [FR]** Connexion des dispositifs ARGB/PWM au contrôleur

- [IT]** Connettere dispositivi ARGB/PWM al controller
- [JP]** ARGBとファンPWMを接続します
- [NL]** Aansluiten van ARGB/PWM-apparaten op de controller
- [PL]** Podłączenie urządzeń ARGB/PWM do kontrolera
- [RU]** Подключение устройств ARGB/PWM к контроллеру

### A Fan/ARGB Hub



## B ARGB Controller Gen2



Download Master Plus :  
<https://masterplus.coolermaster.com>



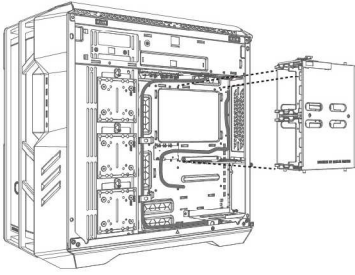
Master Plus software for controlling ARGB gen 2 lighting and Iris LCD display.

## 10 Cable management

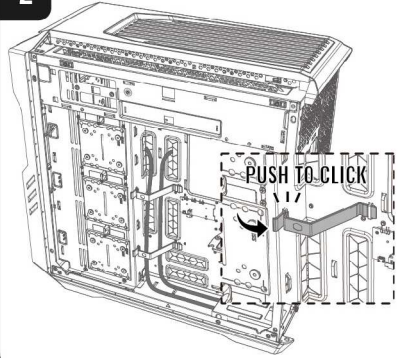
- CHS** 线缆整理
- CHT** 線纜整理
- DE** Kabel-management
- ES** Gestión de cable
- FR** Gestion des câbles

- IT** Cable Management
- JP** 配線収納
- NL** Kabel management
- PL** Zarządzanie kablami
- RU** Кабель менеджмент

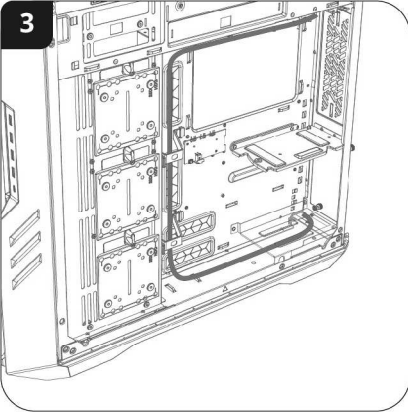
1



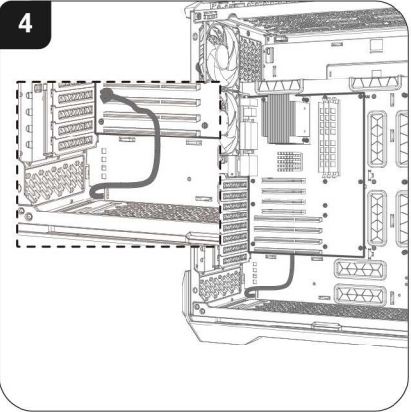
2



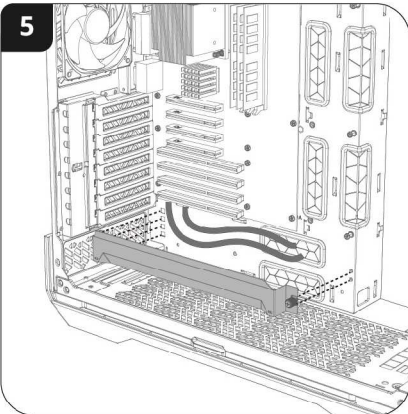
3



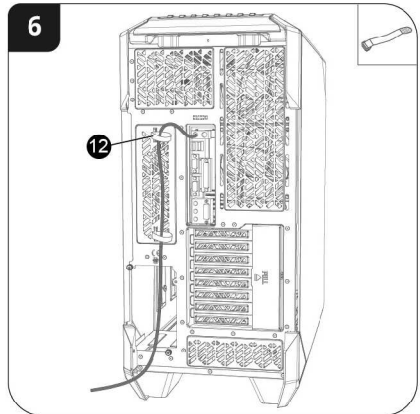
4



5



6

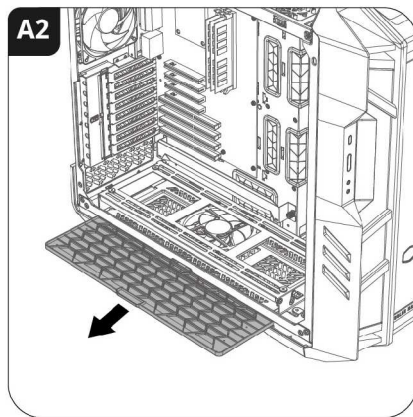
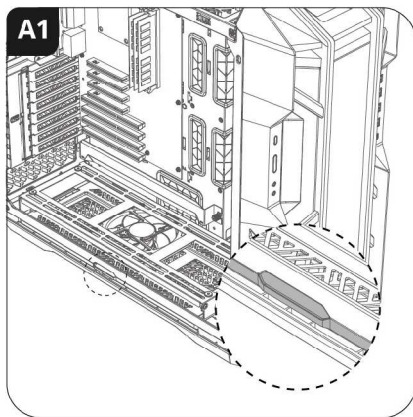


## 11 Cleaning dust filters

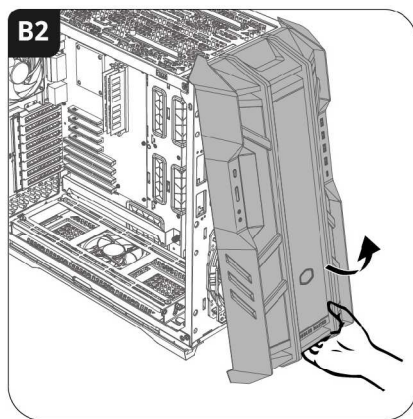
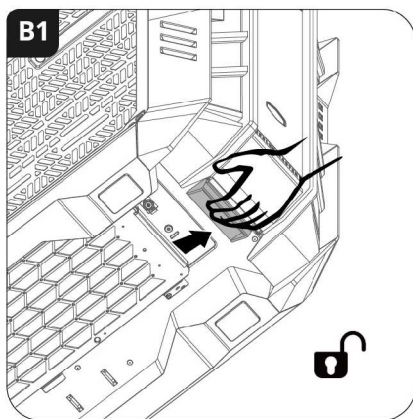
- CHS** 清洁防尘滤网
- CHT** 清潔防塵濾網
- DE** Filterreinigung
- ES** Limpieza de filtros
- FR** Nettoyage des filtres

- IT** Pulizia dei filtri
- JP** クリーニングダストフィルター
- NL** Stof filters schoonmaken
- PL** Czyszczenie filtra
- RU** Очистка фильтра

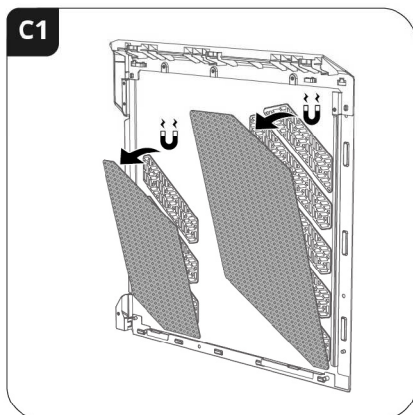
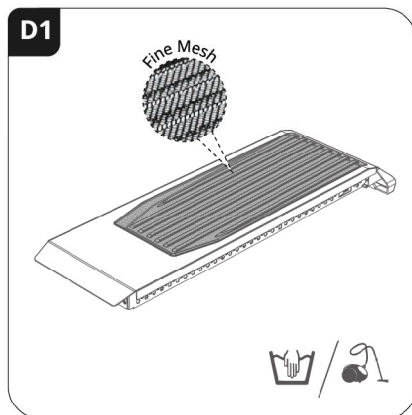
### A Bottom dust filter



### B Front fine mesh





**C** Side panel filters**D** Top panel fine mesh**12** Completing installation**CHS** 完成組裝**CHT** 完成組裝**DE** So schliessen Sie die Installation ab**ES** Completar la instalación**FR** Terminer l'installation**IT** Completamento dell'installazione**JP** 完成図**NL** Installatie voltooid**PL** Kończenie instalacji**RU** Завершение сборки

## WARRANTY INFORMATION

### English (EN)

Cooler Master guarantees that this device is free of defect in material and workmanship, and provides a two-year limited hardware warranty for the device commencing from the date of purchase. Please keep your receipt for proof of purchase. This product is designed for computer usage only. Using this device in any other capacity voids the warranty. If you are not familiar with computer hardware installation, please ask for professional assistance.

The warranty offered covers normal use. Defect or damage that result from improper operation, storage, misuse or abuse, accident or neglect, which are not the fault of Cooler Master, are excluded from warranty coverage.

Note: the warranty is voided by removal or alternation of product or parts identification labels.

- \*All OEM/bulk packaging product come with one year limited warranty
- \*In case of conflict between the warranty provided by the country of point of sale and this manual, the warranty of the actual country of point of sale shall be the prevailing document.
- \*In case of malfunction of electronic components or need of accessories purchase during the warranty period, please return to the original store of purchase.

### Türkçe (TR)

Cooler Master bu cihazda malzeme ve işçilik hatası bulunmadığını garanti eder ve cihaz için satın alma tarihinden başlanarak iki yıla sınırlı bir donanım garantisi verir. Alımı belgelemek için lütfen makbuzunuzu saklayın. Bu ürün yalnızca bilgisayar kullanımını için tasarlanmıştır. Bu cihazın başka bir kapsamda kullanılması garantiyi geçersiz kılar. Bilgisayar donanımı montajını bilmiyorsanız, lütfen profesyonel yardım talep edin.

Verilen garanti normal kullanım içindir. Cooler Master'ın hatası olmayan uygunsuz kullanım, depolama, yanlış kullanım veya kötü kullanım, kaza ya da ihmalden kaynaklanan arıza ya da hasarlar garanti kapsamının dışındadır. Dikkat: Ürün ya da parça tanıma etiketlerinin sökülmesi ya da değiştirilmesi garantiyi geçersiz kılar.

- \* Tüm OEM/ambalajsız ürünler bir yıl sınırlı garanti ile gelir
- \* Garanti verilen ülkedeki satış noktası ve bu kullanma
- \* kılavuzu arasında bir çelişki olursa, satış noktasının bulunduğu ülkedeki garanti hükümleri öncelik taşır. Elektronik bileşenlerin arızalanması ya da garanti süresinde aksesuarların satın alınması gerekirse, lütfen ürünü satın aldığınız mağazaya başvurunuz.

### 简体中文 (ZHS)

Cooler Master 保证本设备之材质及功能无瑕疵，并提供本设备二年之硬件有限保固服务，自购买日算起。请把您的收据放在安全之处，以免 Cooler Master 要求您提供本证明。本产品专为计算机设计。一旦将本设备用于其它用途，则保固无效。若您不熟悉硬件安装程序，请寻求专家之协助。保固服务仅适用于正常使用下之故障情形。若本公司发现设备毁损之原因为滥用、改造、误用、疏忽、电压供应错误、空气及水污染意外和自然灾害，则保固无效。

注意：重贴或条形码遭毁损而无法辨识保固期限者，则不在此限。

- \*所有 OEM 及工业包装的产品皆保固一年。
- \*如果销售国家所提供的保固与本说明互有冲突时，应以实际销售国家之保固为准。
- \*保固期内遇有电子零件故障或配件购买需求，请洽原购买商店。



## 繁體中文 (ZHT)

Cooler Master保證本設備之材質及做工無瑕疵，並提供本設備二年之硬體有限保固服務，自購買日算起。請把您的收據放在安全之處，以免Cooler Master要求您提供本證明。本產品專為電腦設計。一旦將本設備用於其他用途，則保固無效。若您不熟悉硬體安裝程式，請尋求專家之協助。保固服務僅適用於正常使用下之故障情形。若本公司發現設備毀損之原因為濫用、改造、誤用、疏忽、電壓供應錯誤、空氣及水污染意外和自然災害，則保固無效。

注意: 重貼或條碼遭毀損而無法辨識保固期限者，則不在此限。

\*所有OEM及工業包裝的產品皆保固一年。

\*如果銷售國家所提供的保固與本說明互有衝突時，應以實際銷售國家之保固為準。

\*保固期內遇有電子零件故障或配件購買需求，請洽原購買商店。

部件名稱	有毒有害物質或元素					
	鉛 (Pb)	汞 (Hg)	鎘 (Cd)	六價鉻 [Cr(VI)]	多溴聯苯 (PBB)	多溴二苯醚 (PBDE)
機箱組	×	○	○	○	○	○
面板組	×	○	○	○	○	○
I/O模組	×	○	○	○	○	○
風扇	×	○	○	○	○	○
零件包	×	○	○	○	○	○
電源	×	○	○	○	○	○

本表格依據SJ/T 11364的規定編制。  
○:表示該有害物質在該部件所有均質材料中的含量均在GB/T 26572規定的限量要求以下。  
×:表示該有害物質至少在該部件的某一均質材料中的含量超出GB/T 26572規定的限量要求。

Note: The form is only applied to China law.

## Cooler Master Products: Limited Warranty

This document describes the warranty terms for all Cooler Master product sold in Australia

## For Australia only:

Our goods come with guarantees that cannot be excluded under the Australian Consumer Law. You are entitled to a replacement or refund for a major failure and for compensation for any other reasonably foreseeable loss or damage. You are also entitled to have the goods repaired or replaced if the goods fail to be of acceptable quality and the failure does not amount to a major failure. (Cooler Master Technology Inc., 7F., No. 398, Xinhua 1st Rd., Neihu Dist., Taipei City 114065, Taiwan (R.O.C.).)

Telephone: +886-2-2225-3517 (standard international call charges apply)

## Who the Warranty Protects:

This Warranty is valid to the original purchaser only.

## What the warranty protects:

This warranty is valid only for the Cooler Master Products distributed by authorized dealer(s) in Australia. Please contact Cooler Master for warranty information and services:

• Cooler Master Support: [account.coolermaster.com](mailto:account.coolermaster.com)

## What Is and Is Not Covered

It is important to note that our warranty is not an unconditional guarantee for the duration of the Program. Any replaced parts become the property of Cooler Master. The Program does not apply to the software component of a product or a product which has been damaged due to accident, misuse, abuse, improper installation, usage not in accordance with product specifications and instructions, natural or personal disaster, or unauthorized alterations, repairs or modifications.

The Program does not cover any events such as below:

- Any damages unrelated to manufacturing defects.
- Any unsuitable environment or use of the product in Cooler Master Opinion.
- Any product which has been modified without official permission from Cooler Master, or on which the serial number or warranty sticker has been defaced, modified, or removed.

Damage, deterioration or malfunction resulting from:

- Accident, abuse, misuse, neglect, fire, water, lightning, or other acts of nature, commercial or industrial use, unauthorized product modification or failure to follow instructions included with the product.
- Third party products using Cooler Master Components will not be covered by warranty. See your vendor or the manufacturer for information about servicing.
- Repair or attempted repair by anyone not authorized by Cooler Master, Inc.

- Any shipment damages (claims must be made with the carrier).
- Unauthorized repairs to a Cooler Master product will void the warranty offered by the Program. Cooler Master reserves the right to refuse to service any product which has been altered, modified or repaired by non-Cooler Master Service personnel.
- Cooler Master does not warrant that this product will meet your requirements. It is your responsibility to determine the suitability of this product for your purpose.
- Removal or installation charges.
- You are responsible for the cost of shipping the product to Cooler Master. Cooler Master pays the cost of returning a product to you.
- Cooler Master reserves the right to replace the product with a service product at their sole discretion at any time.
- Product malfunction or damage resulting from liquids or moisture.
- All accessories that malfunction due to physical damage such as: USB cables, extension cables, adapter cables, adapters, power cords, screws, retention brackets, ear cups, and all other similar accessories.

**Limitation of implied warranties:**

THERE ARE NO WARRANTIES, EXPRESS OR IMPLIED, WHICH EXTEND BEYOND THE DESCRIPTION CONTAINED HEREIN INCLUDING THE IMPLIED WARRANTY OF MERCHANTABILITY AND FITNESS FOR A PARTICULAR PURPOSE.

**Exclusion of damages**

COOLER MASTER'S LIABILITY IS LIMITED TO THE COST OF REPAIR OR REPLACEMENT OF THE PRODUCT. COOLER MASTER SHALL NOT BE LIABLE FOR:

- DAMAGE TO OTHER PROPERTY CAUSED BY ANY DEFECT IN THE PRODUCT, DAMAGES BASED UPON INCONVENIENCE, LOSS OF USE OF THE PRODUCT, LOSS OF TIME, LOSS OF PROFITS, LOSS OF BUSINESS OPPORTUNITY, LOSS OF GOODWILL, INTERFERENCE WITH BUSINESS RELATIONSHIPS OR OTHER COMMERCIAL LOSS, EVEN IF ADVISED OF THEIR POSSIBILITY OF SUCH DAMAGES.
- ANY OTHER DAMAGES, WHETHER INCIDENTAL, CONSEQUENTIAL OR OTHERWISE
- ANY CLAIM AGAINST THE CUSTOMER BY ANY OTHER PARTY

**Warranty Information:**

If the goods is found with reasonable defect within the period of (refer to Table A,) starting on the first day of purchase (with proof of invoice), this is what you must do, to claim the warranty from the above address.

**Procedures:**

1. Consumers should return to the shop where he/she has bought the goods, After confirming with the shop with a valid invoice, they may approach the distributor for RMA claim.
2. After confirmed by the distributor that the goods was damaged due to natural causes, replacement and repair will be done by distributor (including brand new or refurbished goods)
3. All faulty goods must return to the distributor, expenses for returning the faulty goods will be covered by the consumer, and distributor will cover the cost involved in the transporting of parts or repaired goods to the consumer.

Regarding all the expenses incurred in making the claim, and this is how you would claim:

1. Within the valid warranty date, starting from the first day of issuing invoice, Retail shops will assist in confirmation with distributor for the consumer for the following.
  - A. If the damage was caused by the consumer, then the consumer should cover all expenses in fixing the product, if the product still can't be fixed, we would suggest consumer in buying a brand new product.
  - B. Product defect caused under natural use, expenses will be covered by the distributor.
2. Faulty products with expired warranty dates, we would suggest consumer to purchase a brand new products, without undergoing for repairs.

**Table A:**

Cooler Master Products

Please check your user manual for the exact warranty period terms for products that are not shown below.

For more warranty information, please visit our official website: <http://www.coolermaster.com/service/warranty.html>

**Chassis**

Product Name	Warranty Term
All Chassis Series (Only Electronic Parts)	2 year
C+P ( Chassis + PSU )	1 year

- (EN) Limited warranty period: <http://www.coolermaster.com/service/warranty.html>
- (AR) المحدد الضمان فترة : <http://www.coolermaster.com/service/warranty.html>
- (BG) Период на ограничена гаранция: <http://www.coolermaster.com/service/warranty.html>
- (CS) Období omezené záruky: <http://www.coolermaster.com/service/warranty.html>
- (DA) Begrænset garanti: <http://www.coolermaster.com/service/warranty.html>
- (DE) Beschränkter Garantiezeitraum: <http://www.coolermaster.com/service/warranty.html>
- (EL) Περίοδος περιορισμένης εγγύησης: <http://www.coolermaster.com/service/warranty.html>
- (ES) Periodo de garantía limitada: <http://www.coolermaster.com/service/warranty.html>
- (FA) مدت زمان گارانتی : <http://www.coolermaster.com/service/warranty.html>
- (FI) Rajoitettu takuujakso: <http://www.coolermaster.com/service/warranty.html>
- (FR) Période de garantie limitée: <http://www.coolermaster.com/service/warranty.html>
- (HU) Korlátozott jótállási időszak: <http://www.coolermaster.com/service/warranty.html>
- (HR) Razdoblje ograničenog jamstva: <http://www.coolermaster.com/service/warranty.html>
- (ID) Masa garansi terbatas: <http://www.coolermaster.com/service/warranty.html>
- (IT) Periodo di garanzia limitata: <http://www.coolermaster.com/service/warranty.html>
- (JA) 限定保証期間 : <http://www.coolermaster.com/service/warranty.html>
- (KO) 제한 보증 기간 : <http://www.coolermaster.com/service/warranty.html>
- (KK) Кенілдік мерзімі: <http://www.coolermaster.com/service/warranty.html>
- (NL) Beperkte garantieperiode: <http://www.coolermaster.com/service/warranty.html>
- (NO) Garantiperiode begrenset garanti: <http://www.coolermaster.com/service/warranty.html>
- (PL) Okres ograniczonej gwarancji: <http://www.coolermaster.com/service/warranty.html>
- (PT) Período de garantia limitada: <http://www.coolermaster.com/service/warranty.html>
- (RU) Ограниченный гарантийный срок: <http://www.coolermaster.com/service/warranty.html>
- (SR) Period ograničene garancije: <http://www.coolermaster.com/service/warranty.html>
- (SV) Begränsad garantiperiod: <http://www.coolermaster.com/service/warranty.html>
- (TR) Sınırlı garanti süresi: <http://www.coolermaster.com/service/warranty.html>
- (UK) Обмежений гарантійний термін: <http://www.coolermaster.com/service/warranty.html>
- (ZHT) 有限保固期間 : <http://www.coolermaster.com/service/warranty.html>



**Make It Yours.**

Asia Pacific - Cooler Master Technology Inc.  
7F., No. 398, Xinhu 1st Rd., Neihu Dist., Taipei  
City 114065 , Taiwan (R.O.C.)  
Tel: +886-2-2225-3517

China - Cooler Master China  
Room 112, Building 9, No. 327, Songjin Road, Jinshanwei Town,  
Jinshan Dist., Shanghai City, China  
Tel: +86-21-51872177

Europe - Cooler Master Europe B.V.  
Lodewijkstraat 1b, 5652AC Eindhoven, The Netherlands  
Tel: +31-(0)40-702-0900

North America - Cooler Master NA  
1 N Indian Hill Blvd Suite D200 Claremont, CA 91711 USA  
Tel: +1-888-624-5099


South America  
E-mail: [Soporte\\_Latam@coolermaster.com.tw](mailto:Soporte_Latam@coolermaster.com.tw)



**Product Page and Manual**  
Visit Product Page for information,  
manual and other downloads



**Technical Support**  
Just visit: [account.coolermaster.com](http://account.coolermaster.com)

512005170-GP Ver 1.0: 2022/05 

The color and specification are subject to be changed without further notification.  
Please visit our website for updated information: [www.coolermaster.com](http://www.coolermaster.com)

©2022 Cooler Master Technology Inc. All Rights Reserved. All trademarks are registered to their respective owners.