



# Ninebot eKickScooter **ZING A6** User Manual



Rysunek służy wyłącznie do celów ilustracyjnych. Faktyczny produkt może wyglądać inaczej.

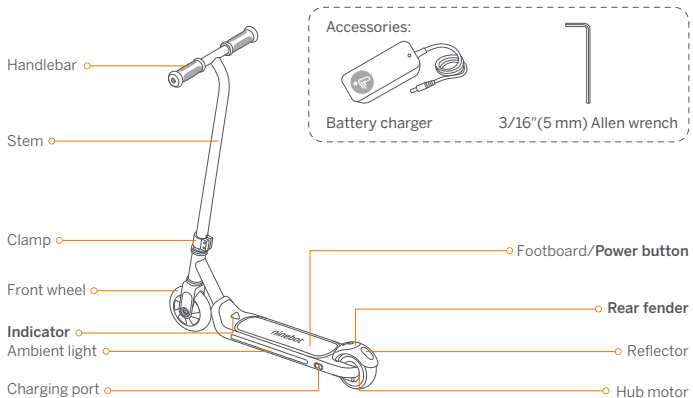
CE.00.0052.06-A

## ninebot®

To reduce the risk of injury, adult supervision is required. Before your first ride, for your safety there is a speed limit on the device. The initial speed is limited to 3.1 mph (5 km/h) with the indicator color red and a buzzer warning sound. Please be sure to scan the QR code on the kick scooter to learn how to fully activate it.

Thanks for choosing the Ninebot eKickScooter (referred to as the kick scooter in this manual)! The kick scooter is specially designed for smooth and safe riding. It combines the power of electricity and the style of a traditional kick scooter. Enjoy an effortless gliding experience on this cool kick scooter.

## 1. Parts and Functions



### Power button:

Place a single foot on the footboard to start the kick scooter, then you will hear one beep as the prompt. Take both feet off the footboard for 30 seconds and the kick scooter will automatically power off.

### Rear fender:

- **Switch speed mode:** In the power-on state, when the kick scooter is still, step the rear fender twice to switch the speed mode.
- **Brake:** When riding, step on the rear fender to brake.

### Indicator

The color of the indicator shows the battery level or abnormality.

Battery level	≥ 10%	< 10%	Not activated or abnormality alert
Indicator color	white	red	red

**Note:** When the battery level is below 10%, the indicator will stop flashing.

The flashing way of the indicator shows different speed mode.

Speed mode	First-gear speed	Second-gear speed	Third-gear speed
Max. speed	5.0 mph (8 km/h)	6.2 mph (10 km/h)	7.5 mph (12 km/h)
Indicator	solid, with 1 beep	blink slowly, with 2 beeps	blink fast, with 3 beeps

### Prompt Indication

State	Prompt
Not activated	3 short beeps (continuously)
Battery temperature too high	2 short beeps and 1 long beep (continuously)
Battery temperature too low	2 short beeps and 2 long beeps (continuously)
Speed > 7.5 mph (12 km/h)	2 long beeps (continuously)
Battery level: < 10%	2 short beeps
Pull out and plug in the charger	1 short beep
Power on	1 short beep
Power off	1 long beep

## 2. Riding Safety

- 1 The product is for recreation only. It is not intended for transportation. Do not modify the kick scooter in any way to change the purpose for which it was designed. In order to master riding skills, the rider needs to practice. Use with caution since skill is required to avoid falls or collisions causing injury to the user or third parties.
- 2 Segway parties are not responsible for any injuries, damages or legal disputes caused by a rider's inexperience or failure to follow the instructions in this manual.
- 3 Remember that whenever you ride the kick scooter, you risk injury from loss of control, collisions, and falls. To reduce the risk, you must read and follow all "CAUTION" and "⚠️ WARNING" notices. Please understand that you can reduce the risk by following the instructions and warnings in this manual, but you cannot eliminate all the risks. Please use common sense when riding.
- 4 The assembly and adjustment should ONLY be done by adults. The kick scooter contains small parts which can pose a choking hazard. To avoid suffocation, do not allow children to touch plastic covering. Children must always be under parental supervision.
- 5 DO NOT allow anyone to ride the kick scooter on his/her own unless the supervising adults, have carefully read this manual. It is the supervising adult's responsibility to assure the new rider's safety. Assist new riders until they are familiar with the basic operation of the kick scooter. The rider must wear a helmet and other protective gear. When you give the product to others, please deliver the User Manual together.

### ⚠️ WARNING

Protective equipment should be worn. Not to be used in traffic. Never hitch a ride with another vehicle. DO NOT ride in rain or through puddles. Not for children with a body mass of more than 40 kg.

#### Riding Surfaces and Environment:

- This kick scooter is designed for riding on flat, dry, paved surfaces. Please ride in an open outdoor space. Make sure there are no children, pedestrians, pets, skateboards, bikes, kick scooters, other riders or potential obstacles in your surroundings.

- Never use in roadways, near motor vehicles, near steep inclines or steps, swimming pools or other bodies of water. Avoid construction sites, sudden surface changes, drainage grates, potholes, cracks, hydrants, parked cars, speed bumps and other obstacles. Don't ride on loose grounds (such as rocks, gravel or sand).
- Do not ride in extreme temperature conditions or in low visibility, such as at dawn/dusk or at night. Do not ride in the snow or in the rain. Submersion in water may cause battery damage, catch fire or even explode.

### ⚠️ WARNING

If the kick scooter makes an abnormal sound or signals an alarm, stop riding immediately. When riding, keep your hands on the handlebar at ALL TIMES and DO NOT ride with one hand or one foot.

#### Before riding:

To avoid accidental injuries, the rider's guardian should check the following matters before each ride:

- Vehicle body and tire state, etc. Ensure that any part including handlebar, stem, rear fender, screws are not loose or damaged.
- Battery power: When the indicator light turns red, it means the kick scooter does not have enough power to maintain normal riding. Please charge in time to avoid possible danger.

#### When Riding:

- One rider ONLY!
- Always wear a helmet and other protective gear (such as elbow pads and knee pads) when riding the kick scooter. Use an approved bicycle or skateboard helmet that fits properly with the chin strap in place, and provides protection for the back of your head.
- DO NOT bypass. Slow down when entering unfamiliar areas. Use caution when riding in areas with trees, posts, or fences. Always slow down when turning.
- Be alert and aware of the surroundings both far ahead and in front of you when riding. Your eyes are your best tool for safely avoiding obstacles and low traction surfaces (including, but not limited to, wet ground, loose sand, loose gravel, and ice).

- Avoid sudden acceleration and deceleration. Never ride faster than the designed top speed (the top speed can be affected by rider weight, battery level, incline, etc.). As with other vehicles, faster speeds require longer braking distance. Sudden braking on low traction surfaces could lead to wheel slip or falls. Be cautious and always keep a safe distance between you and others when riding.
- Keep both hands on the handlebar and do not carry cargo of any kind. DO NOT use a cell phone, camera, headphones, earbuds or perform any other activities while riding. DO NOT ride downhill.
- Do not touch moving or spinning wheels. Keep your hair, clothing, or similar articles from coming in contact with the moving parts.
- Please get off the kick scooter and walk along with it when you encounter special road surfaces such as speed bumps and potholes.

### Who Should Not Ride:

- I. Anyone under the influence of alcohol, drugs, or intoxicants.
- II. Anyone who suffers from diseases (especially in the head, heart, back and neck) that put them at risk if they engage in strenuous physical activity.
- III. Anyone who has a health condition that would interfere with their ability to maintain balance.
- IV. Anyone whose age, height and weight is outside the stated limits (see *Specifications*).
- V. Those with compromised mental abilities who cannot understand the risks and proper operation of the vehicle.

### Safe Use:

- Do not ride the kick scooter when the ambient temperature exceeds the operating temperature of the product (see *Specifications*), because low/high temperatures can decrease vehicle performance and even lead to accidents.
- Always park with the kickstand on a flat and stable surface. Once the kick scooter is on its stand, check its stability to avoid any risk of falling (by slip, wind or slight jolt). Do not park in a busy area, but rather along a wall.

- It is recommended to conduct regular maintenance of the kick scooter (see *Maintenance* ).
- Please read the User Manual before charging the battery (see *How to Charge*).

## WARNING

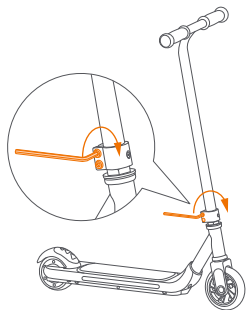
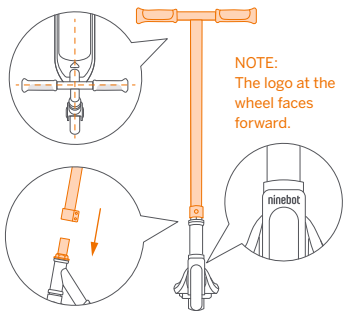
- Only use the original charger. Do not charge when the battery is wet or damaged.
- Never allow your child to touch any vehicle parts with gaps such as rear fender, wheels, etc. Do not touch the brake or hub motor after riding, so as to avoid burns due to increased temperature.

### 3. Assembly and Activation

#### ⚠ WARNING

Please check to make sure the kick scooter is powered off before assembly.

- 1 Insert the stem to the bottom and adjust the handlebar direction to be perpendicular to the front wheel.
- 2 Tighten the two screws on the clamp to make sure it is securely installed.



**Note:**  
The screw should be placed behind.

#### Activation

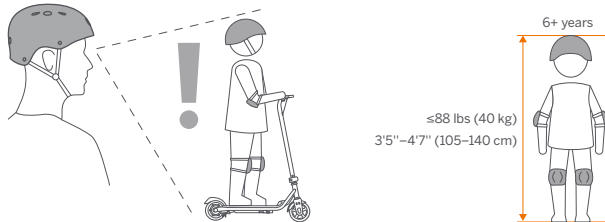
Please scan the QR code to learn how to activate the vehicle before riding, otherwise the vehicle speed will be limited to 3.1 mph (5km/h).

### 4. Learn to Ride

\* When the indicator light turns red, please charge immediately.

#### ⚠ WARNING

Always wear a helmet and other protective gear to minimize any possible injury in the learning process. To reduce the risk of injury, adult supervision is required.



- 1 Start up: Place a single foot on the footboard to start the kick scooter, then you will hear one beep as the prompt.
- 2 Cruise: Hold the handlebar firmly with both hands and kick to start up. During the cruising, place both feet on the footboard and keep your balance.



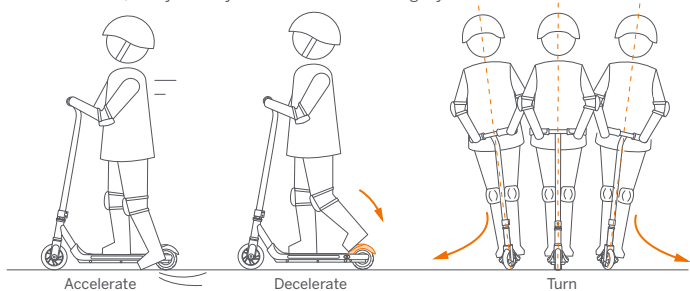
#### Switch Speed Mode

In the power-on state, when the kick scooter is still, you can step on the rear fender twice to switch the speed mode.

#### Note:

For your safety, the hub motor will not start if the speed is less than 1.2 mph (2 km/h).

- 3 Accelerate and decelerate: Within 7.5 mph (12 km/h), continuously kick to accelerate. Step on the rear fender to brake.
- 4 Turn: To turn, shift your body and turn the handlebar slightly.



## ⚠ WARNING

Stay alert and avoid abrupt acceleration or deceleration. Otherwise you risk serious injury due to imbalance, loss of traction and falls. DO NOT perform stunts of any kind. Both tires must remain on the ground at all times.



- 5 Get off: When the kick scooter has stopped cruising, step off one foot at a time. Be extra cautious when dismounting for the first time. Take both feet off the footboard for 30 seconds and with kick scooter will automatically power off.

## ⚠ WARNING

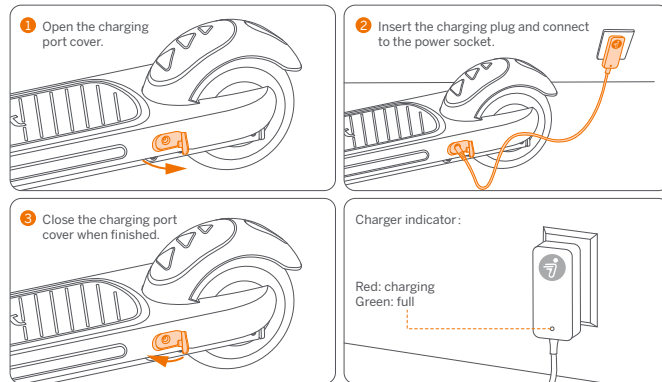
Stay calm and DO NOT jump off the kick scooter. DO NOT touch the hub motor to avoid scald.

## 5. How to Charge

### CAUTION

The charger is not a toy. Children should not be allowed to touch the charging device, the supervising adult needs to handle charging. Before and during charging, make sure the kick scooter is turned off.

### Charging steps



## ⚠ WARNING

- Use only the charger specified by the manufacturer. Other types can burst and catch fire.
- Do not attempt to charge your kick scooter if the charger or the power outlet is wet.
- When there is abnormal smell, sound or light display, stop charging immediately and contact after-sales service.
- Keep away from flammable and explosive materials when charging, and place the kick scooter in a place out of the reach of children.
- When not charging, disconnect the charger from the power socket.

## 6. Specifications

	Item	Ninebot eKickScooter ZING A6
Weight and Size	Net Weight	Approx. 10.1 lbs (4.6 kg)
	Length x Width x Height	Approx. 25.6 x 12.6 x 33.5 inch (650 x 320 x 850 mm)
Rider Requirement	Max. Payload	88 lbs (40 kg)
	Recommended Age	6+ yrs.
	Recommended Height	3'5"-4'7" (105-140 cm)
Vehicle Parameters	Speed Mode (Max Speed)	First-gear speed: 5.0 mph (8 km/h), second-gear speed: 6.2 mph (10 km/h), third-gear speed: 7.5 mph (12 km/h)
	Typical range <sup>[1]</sup>	Approx. 3.1 miles (5 km)
	Traversable Terrain	Flat surface, paved road; obstacles < 0.4 in (1 cm); gaps < 0.4 in (1 cm)
	Operating Temperature	14-104°F (-10-40°C)
	Storage Temperature	-4-122°F (-20-50°C); 41-86°F (5-30°C) recommended
	IP Rating	IPX4
	Charging Time	Approx. 3 h
Battery Pack	Battery Type	Lithium-ion battery
	Nominal Voltage	10.8 V ---
	Maximum Voltage	12.6 V ---
	Charging Temperature	32-113°F (0-45°C); 50-95°F (10-35°C) recommended
	Nominal Capacity / Energy	2500 mAh/27 Wh
Motor	Battery Management System	Over-heating, short circuit, over-current and over-charge protection
	Nominal Power	50 W
Battery Charger	Max. Power	80 W (0.08 kW)
	Input Voltage	100-240V-
	Rated Output	11.6 V ---, 1.0 A
Others	Output Power	11.6 W (0.01 kW)
	Braking Method	Rear-fender brake
	Tires	Front wheel: PU perfusion, Rear wheel: Rubber solid
	Frame Material	Steel
Others	Overcurrent protection value	7.5 A
	Handlebar Material	TPR

[1] Typical range: tested while riding with a full battery, 61 lbs (30 kg) load, 77°F (25°C), 60% of max. speed on average on pavement.

\* For the first ride, the default speed mode is the first-gear mode. When the kick scooter powers off, the speed mode setting will be kept till the next time you turn it on.

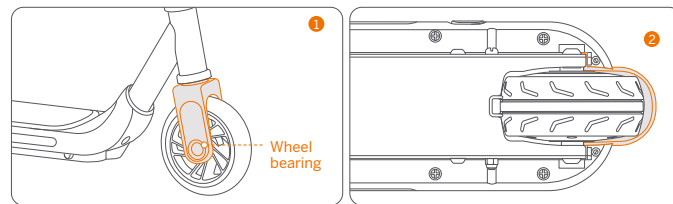
## 7. Maintenance

Maintenance should be carried out by an adult regularly.

### Cleaning

Use a soft and wet cloth to clean. Stains hard to remove can be scrubbed with a toothbrush and toothpaste, then wiped off with a soft and wet cloth.

To prevent jamming to the wheels, wheel bearings, or brakes, please clean and check these areas (as shown in the gray highlighted areas below) for dirt and other foreign objects.



First clean up the foreign objects, and then wipe clean with a soft wet cloth. Lubricate both sides of the bearing with lubricating oil or machine oil. If the problem still exists, please contact customer service. **CAUTION:** To avoid the accumulation of foreign objects, DO NOT ride on muddy, dusty, grassy or slippery roads. Do NOT clean your kick scooter with alcohol, gasoline, acetone, or other corrosive/volatile solvents. These substances may damage the appearance and internal structure of your kick scooter. Do NOT wash your kick scooter with a power washer or hose.

### ⚠ WARNING

- Do not dispose of this product in a landfill, by incineration, or by mixing with household trash. Serious danger/injury can occur because of the electrical components.
- Before cleaning, Please check to make sure the kick scooter is powered off, the power cord is unplugged, and the rubber cap on the charging port is tightly sealed; otherwise you may damage the electrical components.

## Storage

Before storage, please check to make sure the kick scooter is powered off and fully charge it to avoid over-discharge, which will cause permanent damage. Charge the kick scooter every 30 days for long-time storage. Store in a cool and dry place indoors. Exposure to sunlight and temperature extremes (both hot and cold) will accelerate the aging process of the vehicle components and may permanently damage the battery. If the temperature of the storage environment is lower than 32°F (0°C), do not charge it until after placing it in a warm environment, preferably over 50°F (10°C).

## WARNING

- Prolonged exposure to UV rays, rain and the elements may damage the enclosed materials.
- Store indoors when not in use.
- Keep away from fire!

## Battery

A well-maintained battery can perform well even after many miles of riding. Charge the battery after each ride and avoid draining the battery. When at 72°F (22°C), the battery performance is at its best and the vehicle can achieve a longer range. Electronics inside the battery record the charge-discharge condition of the battery; damage caused by over-charging or over-discharge will not be covered by the Limited Warranty.

## WARNING

- For information about battery and electrical waste, please contact your household waste disposal service, your local or regional waste management office, or your point-of-sale.
- The battery is not replaceable. Do not attempt to replace or disassemble the battery. Do not dismantle or puncture the casing. Keep away from metal objects to prevent short circuit.
- Risk of fire and electric shock. No user serviceable parts.
- Do not store or charge the battery at temperatures outside the stated limits (see Specifications).
- Never charge in areas forbidden by law.

## Battery Charger

Regularly examine the charger for damage to the cord, plug, enclosure and other parts. If any

damage is found, stop using until it is repaired or replaced.

## WARNING

Risk of electric shock. Do not disassemble the case or touch the metal contacts. Charge Li-ion batteries ONLY!

## Others

- Before lifting, moving, or otherwise transporting the kick scooter, please turn it off. Handle with care and avoid violent force, such as throwing and heavy pressure. Keep away from fire and water.
- Tires supplied with the product are to be mounted on the wheel by a professional repairer. Removing the wheels is complicated and incorrect assembly can lead to instability and malfunctions.

In case of accidents or breakdowns, contact an authorized repairer if the product is still under warranty. If it's not, you can contact any specialized repairer of your choice. You can ask for the list of the authorized repairers from customer service available at [www.segway.com](http://www.segway.com).

Efforts have been made to simplify wording in the user manual for users. Where an action appears too complicated for a user, he/she is advised to contact an authorized or a specialized repairer or customer service.

## NOTICE: INSURANCE

YOUR INSURANCE POLICIES MAY NOT PROVIDE COVERAGE FOR ACCIDENTS INVOLVING THE USE OF THIS KICKSCOOTER. TO DETERMINE IF COVERAGE IS PROVIDED, PLEASE CONTACT YOUR INSURANCE COMPANY OR AGENT.



## 8. Certifications

For Model: ZING A6

The battery complies with UN/DOT 38.3.

### European Union Compliance Statement

#### Important WEEE information



WEEE Disposal and Recycling Information Correct Disposal of this product. This marking indicates that this product should not be disposed with other household wastes throughout the EU.

To prevent possible harm to the environment or human health from uncontrolled waste disposal, recycle it responsibly to promote the sustainable reuse of materials resources. To return your used device, please use the return and collection systems or contact the retailer where the product was purchased. They can take this product for environmental safe recycling.

#### Battery recycling information for the European Union



Batteries or packaging for batteries are labeled in accordance with European Directive 2006/66/EC and amendment

2013/56/EU concerning batteries and accumulators and waste batteries and accumulators. The Directive determines the framework for the return and recycling of used batteries and accumulators as applicable throughout the European Union. This label is applied to various batteries to indicate that the battery is not to be thrown away, but rather reclaimed upon end of life per this Directive.

In accordance with the European Directive 2006/66/EC and amendment 2013/56/EU, batteries and accumulators are labeled to indicate that they are to be collected separately and recycled at end of life. The label on the battery may also include a chemical symbol for the metal concerned in the battery (Pb for lead, Hg for mercury, and Cd for cadmium). Users of batteries and accumulators must not dispose of batteries and accumulators as unsorted municipal waste, but use the collection

framework available to customers for the return, recycling, and treatment of batteries and accumulators. Customer participation is important to minimize any potential effects of batteries and accumulators on the environment and human health due to the potential presence of hazardous substances.

Before placing electrical and electronic equipment (EEE) in the waste collection stream or in waste collection facilities, the end user of equipment containing batteries and/or accumulators must remove those batteries and accumulators for separate collection.

#### Restriction of Hazardous Substances (RoHS) Directive

This Ninebot (Changzhou) Tech Co., Ltd. product, with included parts (cables, cords, and so on) meets the requirements of Directive 2011/65/EU on the restriction of the use of certain hazardous substances in electrical and electronic equipment ("RoHS recast" or "RoHS 2.0").

#### Electromagnetic Compatibility

Ninebot (Changzhou) Tech Co., Ltd. declares that the equipment listed in this section are in compliance with the essential requirements and other relevant provisions of the Electromagnetic Compatibility 2014/30/EU.



Segway-Ninebot EMEA

EU Representative: Dynamostraat 7, 1014 BN Amsterdam, The Netherlands

The declaration of conformity can be viewed at the following address:  
<http://eu-en.segway.com/support-instructions>

Hereby, Ninebot (Changzhou) Tech Co., Ltd. hereby declares that this device complies with the essential requirements and other relevant provisions of the Electromagnetic Compatibility 2014/30/EU, The Safety of Toy Directive 2009/48/EC and the RoHS Directive 2011/65/EU.

## 9. Trademark and Legal Statements

Ninebot is the registered trademark of Ninebot (Tianjin) Tech. Co., Ltd; Segway and the Rider Design are the registered trademarks of Segway Inc.; The respective owners reserve the rights of their trademarks referred to in this manual.

We have attempted to include description and instruction for all the functions of the Ninebot eKickScooter at the time of printing. However, due to constant improvement of product features and changes of design, your kick scooter may differ slightly from the one shown in this document. Visit [www.segway.com](http://www.segway.com) to download the latest user materials.

Please note that there are multiple Segway and Ninebot models with different functions, and some of the functions mentioned herein may not be applicable to your unit. The manufacturer reserves the right to change the design and functionality of the kick scooter product and documentation without prior notice.

©2021 Ninebot (Beijing) Tech Co., Ltd. All rights reserved.

### Legal Statement

**IMPORTANT: Ninebot eKickScooter (the “product” ) is an off-road product rather than a means for transportation. Be aware, the user shall agree to read the entire user manual and fully understand its content (especially the parts related to the safety riding).**

1. The “Segway parties” mentioned above and below is the Manufacture ( “Ninebot” ) Segway-Ninebot EMEA. ( “Segway” ) and their affiliates (including but not limited to their parent company, subsidiary, affiliated companies, predecessor, subsequent company, administrators, successors, assigns, officers, directors, managers, employees, members, shareholders, and agents, attorneys, insurers).
2. This product can be dangerous to a user, other persons, and property in proximity to that. The user shall assume all the risks and losses in connection with the product (especially for those related to and/or arising out of violation of the instructions about warnings and caution statements). Such risks include but not limited to loss of control, failure of the product, and/or

collision). The consequences for such an incident can be severe, including but not limited to injuries, bodily injuries, death, and/or damages to property. Segway parties shall not be liable for any claim, liability, and loss related to such consequences if it is due to the user's assumption of risk.

3. The product is a means of entertainment and play. The user may not have the necessary and sufficient experience and skills to ride it, especially in complex environments and/or undesirable roads. Such risk may increase if the user has physical and/or mental impairment or disability. Such risk may also increase if the user is not sufficiently familiar with the functions, features and performance of the product. Thus, new users shall learn and practice how to use this product properly and safely.
4. The user shall regularly and periodically, as the circumstance requires, inspect and maintain the product. The user shall also conduct reasonable examination and inspection of the product every time before riding it. For instance, every time before riding the product, the user shall check and examine tire performance, battery level, and all functional parts. If abnormality, discoloration or change of color of material (especially in an area that receives high stress when the product is in motion or junction), scratch, crack, loose fasteners, and/or missing parts (such as screw, bolts and/or nut) which strongly indicates that it is not safe to ride the product.
5. Since it is impossible to predict and/or anticipate all and every scenario, condition, and/or circumstances under which a product user may be exposed to risk and danger, the User Manual is not intended to be an exhaustive list on how to ride the product safely and/or avoid hazards related to the product. So, in addition, to adhere to the instructions, the user shall also ride and/or use the product with responsibility, carefulness, precaution, and best judgment.
6. The users shall check and obey the local laws or regulations over the product. The laws and regulations may be different in different jurisdictions. Apart from the others, such laws and regulations may include:
  - a. A helmet may be legally required by local law or regulation in your jurisdiction.
  - b. You may obtain more information related to legal requirements on the product from your local government.
7. The users shall immediately check whether the product and its accessories are in good condition upon receipt of the product.

8. All the separate components and parts of the products must be properly installed per the User Manual. Inappropriate installation and/or assembly may significantly increase the risk of loss of control, product failure, collisions, and falls. The product may contain removable components and small parts. Please keep them out of the reach of children to avoid choking hazards.
9. Do not dispose of this product in a landfill, by incineration, or by mixing with household trash.  
Serious danger/ injury can occur because of the electrical components and the battery. For information about battery and electrical waste, please contact your household waste disposal service, your local or regional waste management office, or your point-of-sale. The user shall not use any non-original accessories or dismantle or modify the product without authorization. All damages, injuries, and damages to property arising from that place will be your sole responsibility and risk.
10. Segway parties reserve the right to make changes to the product, release firmware updates, and update this manual at any time. Segway parties may make improvements and changes to this user manual necessitated by typographical errors, inaccuracies of current information, or modifications to programs and/or equipment at any time and without notice. Such changes will, however, be incorporated into new editions of this user manual. All illustrations are for illustration purposes only and may not accurately depict the actual device. Actual product and functions may vary. Due to the update of the product, there may be some deviations in color, appearance, and other aspects between the product listed in this manual and the product you purchased. Please refer to the actual product.
11. This document should be considered as a permanent part of the product, and it shall be provided to the user together with the product all the time.

**Thank you again for choosing Ninebot eKickScooter!**

## 10. Contact

Contact us if you experience issues relating to riding, maintenance and safety, or errors/faults with your scooter.

Europe, Middle East and Africa:

Segway-Ninebot EMEA, Dynamostraat 7, 1014 BN Amsterdam, The Netherlands

Website: [www.segway.com](http://www.segway.com)

Have your scooter serial number on hand when contacting Segway.

You can find the serial number on the underside of your scooter.



# Ninebot eKickScooter **ZING A6**

## Manuel de l'utilisateur



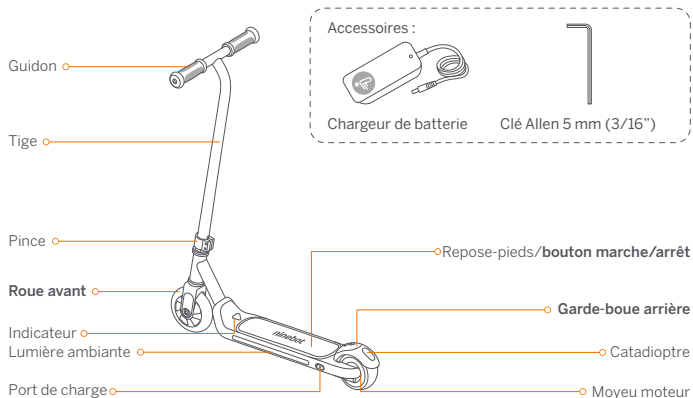
The picture is for illustration purposes only. The actual product may vary.

# ninebot®

Pour réduire le risque de blessure, la surveillance d'un adulte est requise. Avant votre première sortie, pour votre sécurité, il y a une limite de vitesse sur l'appareil. La vitesse initiale est limitée à 5 km/h (3,1 mph) avec l'indicateur allumé en rouge et un avertissement sonore. Assurez-vous de scanner le code QR sur la trottinette pour savoir comment l'activer complètement.

Merci d'avoir choisi le Ninebot eKickScooter (appelé la trottinette dans ce manuel) !  
 La trottinette est spécialement conçue pour une conduite en douceur et en toute sécurité. Il combine la puissance de l'électricité et le style d'une trottinette traditionnelle. Profitez d'une expérience de glisse sans effort sur cette trottinette super cool.

## 1. Pièces et fonctions



### Bouton marche/arrêt:

Placez un seul pied sur le repose-pieds pour démarrer la trottinette, puis vous entendrez un bip. Retirez les deux pieds du repose-pieds pendant 30 secondes et la trottinette s'éteindra automatiquement.

### Garde-boue arrière:

- **Changer de mode de vitesse:** À la mise sous tension, lorsque la trottinette est immobile, appuyez deux fois avec le pied sur le garde-boue arrière pour changer le mode de vitesse.
- **Frein:** Lorsque vous roulez, appuyez sur le garde-boue arrière pour freiner.

### Indicateur

La couleur de l'indicateur indique le niveau de la batterie ou toute anomalie.

Niveau de batterie	≥ 10 %	< 10 %	Non activé ou alerte d'anomalie
Couleur de l'indicateur	blanc	rouge	rouge

**Remarque:** Lorsque le niveau de la batterie est inférieur à 10 %, l'indicateur s'arrête de clignoter.

La manière dont l'indicateur clignote indique le mode de vitesse.

Mode de vitesse	Vitesse de première vitesse	Vitesse de seconde vitesse	Vitesse de troisième vitesse
Vitesse max.	8 km/h (5 mph)	10 km/h (6,2 mph)	12 km/h (7,5 mph)
Indicateur	fixe, avec 1 bip	clignote lentement, avec 2 bips	clignote rapidement, avec 3 bips

### Indication

État	Invite
Non activé	3 bips courts (en continu)
Température de la batterie trop élevée	2 bips courts et 1 bip long (en continu)
Température de la batterie trop basse	2 bips courts et 2 bips longs (en continu)
Vitesse > 12 km/h (7,5 mph)	2 bips longs (en continu)
Niveau de batterie : < 10 %	2 bips courts
Descendre et brancher le chargeur	1 bip court
Mise sous tension	1 bip court
Mise hors tension	1 bip long

## 2. Sécurité de conduite

- 1 Le produit est pour les loisirs seulement. Il n'est pas destiné au transport. Ne modifiez en aucun cas la trottinette pour changer l'usage pour lequel elle a été conçue. Afin de maîtriser les compétences de pilotage, l'utilisateur doit s'entraîner. Soyez prudent. Une certaine maîtrise est nécessaire pour éviter les chutes ou les collisions pouvant causer des blessures à l'utilisateur ou à des tiers.
- 2 Les parties Segway ne sont pas responsables des blessures, dommages ou litiges légaux causés par l'inexpérience d'un conducteur ou le non-respect des consignes de ce manuel.
- 3 Souvenez-vous que quand vous êtes sur la trottinette, vous êtes exposé(e) à un risque de perte de contrôle, de collision et de chute. Pour réduire le risque, vous devez lire et suivre tous les avis « MISE EN GARDE » et « ⚠️ AVERTISSEMENT ». Vous pouvez réduire le risque en suivant les instructions et avertissements dans ce manuel, mais vous ne pouvez pas éliminer tous les risques. Veuillez faire preuve de bon sens lors de l'utilisation de la trottinette.
- 4 L'assemblage et l'ajustement doivent être effectués UNIQUEMENT par des adultes. La trottinette contient de petites pièces pouvant créer un risque d'étouffement. Pour éviter l'étouffement, ne laissez pas les enfants toucher l'emballage en plastique. Les enfants doivent toujours être sous la surveillance des parents.
- 5 NE permettez à PERSONNE de monter sur la trottinette seul(e) à moins d'avoir attentivement lu ce manuel, ainsi que les adultes chargés de la surveillance. Il est de la responsabilité de l'adulte superviseur d'assurer la sécurité du nouveau conducteur. Aidez les nouveaux conducteurs jusqu'à ce qu'ils soient à l'aise avec le fonctionnement de la trottinette. Le conducteur doit porter un casque et d'autres équipements de protection. Lorsque vous donnez le produit à d'autres personnes, veuillez également fournir le Manuel de l'utilisateur.

### ⚠️ AVERTISSEMENT

Un équipement de protection doit être porté. Ne pas utiliser dans la circulation. Ne jamais se laisser tracter par un autre véhicule. Ne pas rouler sous la pluie ou dans les flaques d'eau. Ne convient pas aux enfants avec une masse corporelle de plus de 40 kg.

### Surfaces de conduite et environnement :

- Cette trottinette est conçue pour rouler sur des surfaces pavées plates et sèches. Roulez dans des espaces extérieurs ouverts. Assurez-vous qu'il n'y a pas d'enfants, de piétons, d'animaux de compagnie, de planches à roulettes, de vélos, de trottinettes, d'autres cyclistes ou d'obstacles potentiels dans votre environnement.

- N'utilisez jamais sur des routes, près des véhicules à moteur, près de pentes ou escaliers abrupts, de piscines ou autres plans d'eau. Évitez les chantiers de construction, les changements soudains de surface, les grilles d'égouts, les nids-de-poule, les fissures, les bornes incendie, les voitures stationnées, les ralentisseurs et autres obstacles. Ne roulez pas sur des terrains meubles (comme du gravier ou du sable).
- Ne roulez pas dans des conditions de températures extrêmes ou de faible visibilité, comme à l'aube/au crépuscule ou la nuit. Ne roulez pas dans la neige ou sous la pluie. L'immersion dans l'eau peut endommager la batterie, lui faire prendre feu, voire la faire exploser.

### ⚠️ AVERTISSEMENT

Si la trottinette fait un bruit anormal ou déclenche une alarme, arrêtez de rouler immédiatement. Lorsque vous roulez, gardez vos mains sur le guidon EN TOUT TEMPS et NE ROULEZ PAS avec une seule main ou un seul pied.

### Avant de rouler :

Pour éviter les blessures accidentelles, l'adulte responsable doit vérifier les points suivants avant chaque sortie :

- Carrosserie du véhicule et état des pneus, etc. Assurez-vous qu'aucune pièce, y compris le guidon, la tige, le garde-boue arrière et les vis ne sont desserrées ou endommagées.
- Puissance de la batterie : Lorsque l'indicateur lumineux devient rouge, cela signifie que la trottinette n'a pas assez de puissance pour maintenir une conduite normale. Veuillez charger à temps pour éviter tout danger éventuel.

### Lorsque vous roulez :

- Un seul conducteur uniquement.
- Portez toujours un casque et d'autres équipements de protection (tels que des coudières et des genouillères) lorsque vous conduisez la trottinette. Utilisez un casque de vélo ou de skateboard homologué qui s'adapte correctement, en mettant la mentonnière et qui protège l'arrière de votre tête.
- NE PAS court-circuiter. Ralentissez lorsque vous entrez dans des zones inconnues. Soyez prudent lorsque vous circulez dans des zones arborées, avec des poteaux ou clôturées. Ralentissez toujours lorsque vous tournez.
- Soyez conscient de votre environnement, tant juste devant vous que loin devant lorsque vous utilisez la trottinette. Vos yeux sont votre meilleur outil pour éviter les obstacles en toute sécurité et les surfaces à faible traction (y compris, mais sans s'y limiter, sol humide, sable meuble, gravier meuble et glace).

- Évitez les accélérations et décélérations soudaines. Ne roulez jamais plus vite que la vitesse de pointe prévue (la vitesse de pointe peut être affectée par le poids du conducteur, le niveau de la batterie, l'inclinaison, etc.). Tout comme avec d'autres véhicules, des vitesses plus élevées nécessitent une plus longue distance de freinage. Le freinage soudain sur des surfaces à faible traction peut entraîner des dérapages ou chutes. Maintenez toujours une distance de sécurité entre vous et les autres usagers.
- Gardez les deux mains sur le guidon et ne transportez aucune cargaison. N'utilisez pas de téléphone portable, caméra, casque ou écouteurs et ne vous laissez pas distraire pendant la conduite. Ne roulez pas en descente.
- Ne touchez pas les roues en mouvement. Veillez à ce que vos cheveux, vêtements ou autres ne se prennent pas dans les pièces mobiles.
- Veuillez descendre de la trottinette et marcher à ses côtés lorsque vous rencontrez des surfaces routières spéciales telles que des ralentisseurs et des nids-de-poule.

### Qui ne devrait pas utiliser la trottinette:

- I. Toute personne sous l'emprise de l'alcool ou de stupéfiants.
- II. Toute personne qui souffre de maladies (en particulier de la tête, du cœur, du dos et de la nuque) et qui se mettrait en danger si elle se livre à une activité physique intense.
- III. Toute personne qui a un état de santé qui interférerait avec sa capacité à garder l'équilibre.
- IV. Toute personne dont la taille ou le poids excède les limites indiquées (voir *Spécifications*).
- V. Les personnes aux capacités mentales réduites qui ne peuvent pas comprendre les risques et le bon fonctionnement du véhicule.

### Utilisation sûre:

- Ne roulez pas lorsque la température ambiante est en dehors de la température de fonctionnement de l'appareil (voir *Spécifications*) car une température élevée/basse limite la puissance/le couple maximum. Cela pourrait causer des blessures ou des dommages matériels en cas de glissades ou de chutes.
- Garez toujours la trottinette avec la béquille sur une surface plate et stable. Une fois que la trottinette est sur sa béquille, vérifiez sa stabilité pour éviter tout risque de chute (par glissade, coup de vent ou légère secousse). Ne vous garez pas dans une zone très fréquentée, mais plutôt le long d'un mur.

- Il est recommandé d'effectuer un entretien régulier de la trottinette (voir *Entretien*).
- Veuillez lire le Manuel de l'utilisateur avant de charger la batterie (voir *Comment charger*).

## AVERTISSEMENT

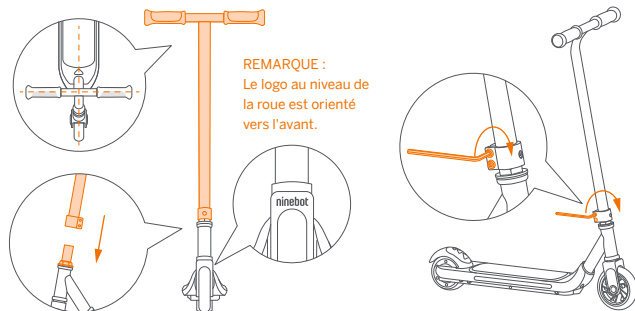
- N'utilisez que le chargeur d'origine. Ne chargez pas lorsque la batterie est mouillée ou endommagée.
- Ne laissez jamais votre enfant toucher des pièces du véhicule présentant des espaces tels que l'arrière, le garde-boue, les roues, etc. Ne touchez pas le frein ou le moyeu moteur après la conduite afin d'éviter des brûlures dues à l'augmentation de la température.

### 3. Montage et activation

#### ⚠ AVERTISSEMENT

Veillez vérifier que la trottinette est éteinte avant le montage.

- 1 Insérez la tige vers le bas et ajustez la direction du guidon pour qu'elle soit perpendiculaire à la roue avant.
- 2 Serrez les deux vis de la pince pour vous assurer qu'elle est correctement installée.



#### Remarque :

La vis doit être placée derrière.

#### Activation

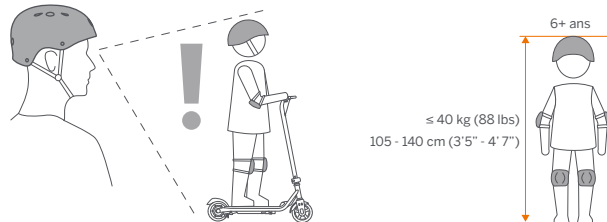
Veillez scanner le code QR pour savoir comment activer le véhicule avant de rouler, sinon la vitesse du véhicule sera limitée à 5 km/h (3,1 mph).

### 4. Apprendre à utiliser la trottinette

\* Lorsque l'indicateur lumineux devient rouge, veuillez charger immédiatement.

#### ⚠ AVERTISSEMENT

Portez toujours un casque et tout autre équipement de protection pour réduire le risque de blessure pendant l'apprentissage. Pour réduire le risque de blessure, la surveillance d'un adulte est requise.



- 1 Démarrer : placez un seul pied sur repose-pieds pour démarrer la trottinette, puis vous entendrez un bip.
- 2 Croisière : tenez fermement le guidon à deux mains et poussez avec le pied pour démarrer. Pendant la croisière, placez les deux pieds sur le repose-pieds et gardez votre équilibre.



#### Changer de mode de vitesse

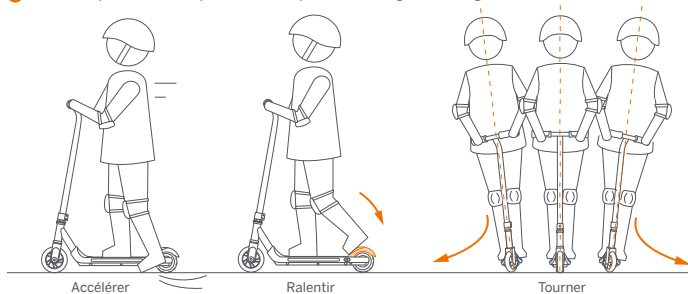
À la mise sous tension, lorsque la trottinette est immobile, vous pouvez appuyer deux fois avec le pied sur le garde-boue arrière pour changer le mode de vitesse.

#### Remarque :

Pour votre sécurité, le moyeu moteur ne démarrera pas si la vitesse est inférieure à 2 km/h (1,2 mph).



- 3 Accélérer et décélérer : à moins de 12 km/h (7,5 mph), poussez plusieurs fois avec le pied pour accélérer. Appuyez avec le pied sur le garde-boue arrière pour freiner.
- 4 Tourner : pour tourner, déplacez votre corps et tournez légèrement le guidon.



## ⚠️ AVERTISSEMENT

Restez vigilant et évitez une accélération ou une décélération brusque. Sinon, vous risquez des blessures graves dues au déséquilibre, à la perte de traction et aux chutes. Ne faites pas d'acrobaties. Les deux pneus doivent rester au sol à tout moment.



- 5 Descendre : lorsque la trottinette ne roule plus, descendez un pied à la fois. Soyez très prudent lorsque vous descendez pour la première fois. Retirez les deux pieds du repose-pieds pendant 30 secondes et la trottinette s'éteindra automatiquement.

## ⚠️ AVERTISSEMENT

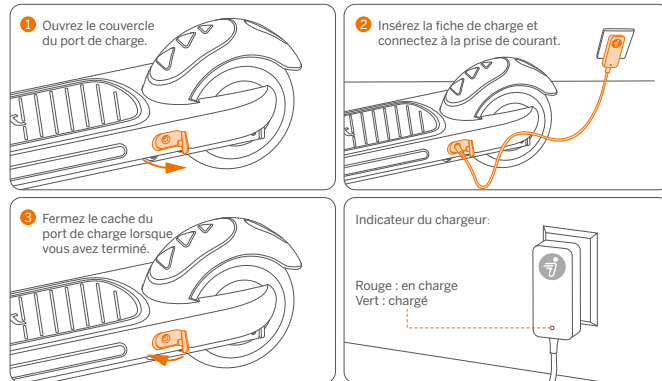
Restez calme et NE SAUTEZ PAS de la trottinette.  
NE TOUCHEZ PAS le moyeu moteur pour éviter les brûlures.

## 5. Comment charger

### MISE EN GARDE

Le chargeur n'est pas un jouet. Les enfants ne doivent pas être autorisés à toucher le dispositif de charge, l'adulte surveillant doit gérer la charge. Avant et pendant la charge, assurez-vous que la trottinette est éteinte.

### Étapes de charge



## ⚠️ AVERTISSEMENT

- Utilisez uniquement le chargeur spécifié par le fabricant. D'autres types peuvent exploser et prendre feu.
- Ne tentez pas de charger votre trottinette si elle est humide ou que le chargeur ou la prise est humide.
- En cas d'odeur anormale ou de signal sonore ou lumineux, arrêtez de charger immédiatement et contactez le service après-vente.
- Tenir à l'écart des matières inflammables et explosives lors de la charge, et placez la trottinette dans un endroit hors de la portée des enfants.
- Lorsque vous ne chargez pas, débranchez le chargeur.

## 6. Spécifications

	Élément	Ninebot eKickScooter ZING A6
Poids et dimensions	Poids net	Environ 4,6 kg (10,1 lbs)
	Longueur x Largeur x Hauteur	Environ 650 x 320 x 850 mm (25,6 x 12,6 x 33,5 po)
Exigences relatives à l'utilisateur	Charge utile max.	40 kg (88 lbs)
	Âge recommandé	6+ ans.
	Taille recommandée	105 - 140 cm (3'5" - 4'7")
Paramètres du véhicule	Vitesse de mode (vitesse maximale)	Vitesse de première vitesse : 8 km/h (5 mph), vitesse de deuxième vitesse : 10 km/h (6,2 mph), vitesse de troisième vitesse : 12 km/h (7,5 mph)
	Autonomie moyenne <sup>[1]</sup>	Environ 5 km (3,1 miles)
	Terrain traversable	Surface plane, route pavée ; obstacles < 1 cm ; interstices < 1 cm
	Température de fonctionnement	-10 - 40 °C (14 - 104 °F)
	Température de stockage	-20 - 50 °C (-4 - 122 °F) ; 5 - 30 °C (41 - 86 °F) recommandé
	Protection IP	IPX4
	Temps de charge	Environ 3 h
Pack batterie	Type de batterie	Batterie lithium-ion
	Tension nominale	10,8 V ---
	Tension maximum	12,6 V ---
	Température de charge	0 - 45 °C (32 - 113 °F) ; 10 - 35 °C (50 - 95 °F) recommandé
	Capacité nominale/énergie	2500 mAh/27 Wh
	Système de gestion de la batterie	Protection surchauffe, court-circuit, surintensité et surcharge
Moteur	Puissance nominale	50 W
	Puissance max.	80 W (0,08 kW)
	Tension d'entrée	100-240 V ~
Chargeur de batterie	Puissance nominale	11,6 V ---, 1,0 A
	Puissance de sortie	11,6 W (0,01 kW)
Autres	Méthode de freinage	Frein de garde-boue arrière
	Pneus	Roue avant : perfusion PU, roue arrière : caoutchouc plein
	Matériau du cadre	Acier
	Valeur de protection contre les surintensités	7,5 A
	Matériau du guidon	TPR

[1] Autonomie moyenne : testé pendant la conduite avec la batterie pleine, chargement de 30 kg (61 lbs), 25 °C (77 °F), 60 % de la vitesse de pointe moyenne sur trottoir.

\* Pour le premier trajet, le mode de vitesse par défaut est le mode de première vitesse. Lorsque la trottinette s'éteint, le réglage du mode de vitesse sera conservé jusqu'à la prochaine fois que vous l'allumerez.

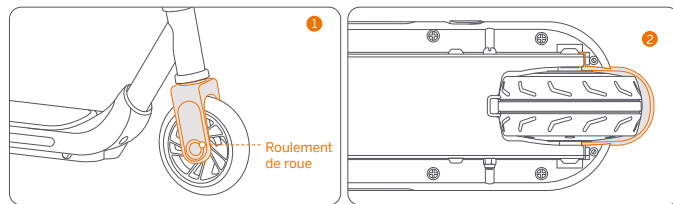
## 7. Maintenance

L'entretien doit être effectué régulièrement par un adulte.

### Nettoyage

Utilisez un chiffon doux et humide pour nettoyer. La saleté difficile à enlever peut être frottée avec une brosse à dents et un dentifrice, puis nettoyé avec un chiffon doux et humide.

Pour éviter tout blocage des roues, des roulements ou des freins, veuillez nettoyer et vérifier ces zones (comme indiqué dans les zones grisées ci-dessous) pour une éventuelle présence de saleté et autres objets étrangers.



Nettoyez d'abord les corps étrangers, puis essuyez avec un chiffon doux et humide. Lubrifiez les deux côtés du roulement avec de l'huile de graissage ou de l'huile de machine. Si le problème persiste, veuillez contacter le service client. **MISE EN GARDE** : pour éviter l'accumulation d'objets étrangers, NE roulez PAS sur des routes boueuses, poussiéreuses, herbeuses ou glissantes. Ne nettoyez pas votre trottinette avec de l'alcool, de l'essence, de l'acétone ou tout autre solvant corrosif/volatile. Ces substances peuvent endommager l'aspect et la structure interne de votre trottinette. Ne lavez pas votre trottinette avec un nettoyeur haute pression ou un tuyau d'arrosage.

### ⚠ AVERTISSEMENT

- Ne vous débarrassez pas de ce produit dans une décharge, par incinération ou en le mêlant aux ordures ménagères. Un accident grave peut être provoqué par les composants électriques.
- Avant le nettoyage, assurez-vous que la trottinette est éteinte, que le câble de chargement est débranché, et que le capuchon en caoutchouc sur le port de charge est hermétiquement fermé ; autrement vous pourriez endommager les composants électriques.

## Rangement

Avant le stockage, assurez-vous que la trottinette est éteinte et chargez-la complètement pour éviter une décharge excessive, ce qui causera des dommages permanents. Chargez la trottinette tous les 30 jours pour un stockage de longue durée. Ranger dans un endroit frais et sec à l'intérieur. Une exposition à la lumière du soleil et à des températures extrêmes (qu'elles soient chaudes ou froides) va accélérer le processus de vieillissement des composants en plastique et peut réduire la durée de vie de la batterie. Si la température de stockage est inférieure à 0 °C (32 °F), ne le chargez pas avant de l'avoir placée dans un environnement chaud : plus de 10 °C (50 °F).

## ⚠️ AVERTISSEMENT

- Une exposition prolongée aux rayons UV, à la pluie et aux éléments peut endommager les composants.
- Entreposez-la à l'intérieur lorsque vous ne l'utilisez pas.
- Tenir à l'écart du feu !

## Batterie

Une batterie bien entretenue peut bien fonctionner même après de nombreux kilomètres de conduite. Chargez la batterie après chaque trajet et évitez de décharger complètement la batterie. À 22 °C (72 °F), les performances de la batterie sont optimales et le véhicule peut atteindre une autonomie plus longue. L'électronique à l'intérieur de la batterie enregistre l'état de charge-décharge de la batterie ; les dommages causés par une décharge excessive ou une décharge insuffisante ne seront pas couverts par la garantie limitée.

## ⚠️ AVERTISSEMENT

- Pour de plus amples informations sur la, batterie et les déchets électriques, veuillez contacter le service de traitement des déchets ménagers, votre bureau local ou régional de gestion des déchets ou votre point de vente.
- La batterie n'est pas remplaçable. Ne tentez pas de démonter la batterie. Ne touchez pas les contacts de la batterie. Tenez-vous à l'écart des objets métalliques pour éviter les courts-circuits.
- Risque d'incendie et d'électrocution. Pas de pièces remplaçables par l'utilisateur.
- Ne stockez pas et ne chargez pas la batterie à des températures en dehors des limites indiquées (voir Spécifications).
- Ne la chargez jamais dans les zones interdites par la loi.

## Chargeur de batterie

Examinez régulièrement le chargeur pour vérifier que le cordon, la prise, le boîtier et les autres pièces ne sont pas endommagés. Si des dommages sont détectés, arrêtez de l'utiliser jusqu'à ce qu'il soit réparé ou remplacé.

## ⚠️ AVERTISSEMENT

Risque de choc électrique. Il est strictement interdit de démonter ou de toucher le contact métallique. Chargez UNIQUEMENT les batteries Li-ion !

## Autres

- Avant de soulever, déplacer ou transporter la trottinette, veuillez l'éteindre. Manipulez-la avec soin et évitez les chocs violents, par exemple en la lançant ou en appliquant une forte pression sur elle. Tenir à l'écart du feu et de l'eau.
- Les pneus fournis avec le produit doivent être montés sur la roue par un réparateur professionnel. Contactez un centre de dépannage agréé si le produit est encore sous garantie.

Vous pouvez demander la liste des réparateurs agréés au service client accessible via le lien suivant : [www.segway.com](http://www.segway.com). A défaut, vous pouvez contacter un centre de dépannage spécialisé de votre choix. Pour en savoir plus, vous pouvez contacter le service clientèle via le lien suivant : [www.segway.com](http://www.segway.com).

Des efforts ont été faits pour simplifier la rédaction du Manuel d'utilisation pour les utilisateurs. Lorsqu'une action semble complexe pour l'utilisateur, il est conseillé de contacter un réparateur agréé ou spécialisé ou le service client.

AVIS : ASSURANCE

VOS POLICES D'ASSURANCE PEUVENT NE PAS FOURNIR DE COUVERTURE POUR LES ACCIDENTS IMPLIQUANT CETTE TROTTINETTE. POUR DÉTERMINER SI UNE COUVERTURE EST FOURNIE, VEUILLEZ CONTACTER VOTRE COMPAGNIE D'ASSURANCE.

## 8. Certifications

Pour le modèle : ZING A6

La batterie est conforme à UN/DOT 38.3

### Déclaration de conformité Union européenne

#### Informations importantes sur les DEEE



Informations sur l'élimination et le recyclage des DEEE Elimination correcte de ce produit. Ce marquage indique que ce produit ne doit pas être éliminé avec d'autres déchets ménagers dans l'ensemble de l'UE.

Pour éviter tout risque d'atteinte à l'environnement ou à la santé humaine dû à une élimination incontrôlée des déchets, recyclez-le afin de promouvoir la réutilisation durable des ressources en matériaux. Pour retourner votre appareil usagé, veuillez utiliser les systèmes de retour et de collecte ou contacter le détaillant où l'appareil a été acheté. Ils peuvent prendre ce produit pour un recyclage sans danger pour l'environnement.

#### Information de recyclage de la batterie pour l'Union européenne



Emballage de piles ou batteries sont étiquetés conformément à la directive 2006/66/CE et l'amendement 2013/56/UE relatif aux piles et accumulateurs ainsi qu'aux déchets de piles et d'accumulateurs. La Directive établit un cadre pour la collecte et le recyclage des batteries et piles usagées applicable dans l'ensemble de l'Union européenne. Cet étiquetage est appliqué à diverses batteries pour indiquer que la batterie ne doit pas être jetée mais récupérée en fin de vie conformément à cette Directive.

Conformément à la Directive européenne 2006/66/CE et l'amendement 2013/56/UE, les batteries et piles sont étiquetées de manière à indiquer qu'elles doivent être recueillies séparément et recyclées en fin de vie. L'étiquetage de la batterie peut également inclure le symbole chimique du métal contenu dans la batterie (Pb pour le plomb, Hg pour le mercure et Cd pour le cadmium). Les utilisateurs de batteries et piles ne doivent pas les jeter comme déchets ménagers non triés, mais utiliser les infrastructures mises à disposition des consommateurs en vue de leur collecte, recyclage et traitement. La participation des consommateurs est

importante afin minimiser les effets potentiels des batteries et piles sur l'environnement et la santé en raison de la présence de substances dangereuses.

Avant de placer des équipements électriques et électroniques (EEE) dans le flux de collecte des déchets ou dans des installations de collecte des déchets, l'utilisateur final des équipements contenant des piles et / ou des accumulateurs doit retirer ces piles et ces accumulateurs pour une collecte séparée.

#### Directive relative à la limitation des substances dangereuses (RoHS)

Ce produit Ninebot (Changzhou) Tech Co., Ltd., avec les pièces incluses (câbles, cordons, etc.) est conforme aux exigences de la directive 2011/65/UE relative à la limitation de l'utilisation de certaines substances dangereuses dans les équipements électriques et électroniques ("Refonte RoHS" ou "RoHS 2.0").

#### Compatibilité électromagnétique

Ninebot (Changzhou) Tech Co., Ltd. déclare que les équipements répertoriés dans cette section sont conformes aux exigences essentielles et aux autres dispositions pertinentes de la compatibilité électromagnétique 2014/30/UE.



Segway-Ninebot EMEA

EU Representative: Dynamostraat 7, 1014 BN Amsterdam, The Netherlands

La déclaration de conformité peut être consultée sur <http://eu-en.segway.com/support-instructions>

Ninebot (Changzhou) Tech Co., Ltd. déclare par la présente que cet appareil est conforme aux exigences essentielles et aux autres dispositions pertinentes de la compatibilité électromagnétique 2014/30/UE, de la directive relative à la sécurité des jouets 2009/48/CE et de la directive RoHS 2011/65 UE.

## 9. Marque commerciale et déclaration légale

Ninebot est une marque déposée de Ninebot (Tianjin) Tech. Co., Ltd ;Segway et Rider Design sont les marques déposées de Segway Inc. ; Les propriétaires respectifs se réservent les droits de leurs marques commerciales mentionnées dans ce manuel.

Nous avons tenté d'inclure des descriptions et des instructions pour toutes les fonctions du Ninebot eKickScooter au moment de l'impression. Cependant, en raison de l'amélioration constante des fonctionnalités de l'appareil et des modifications de conception, votre trottinette peut différer légèrement de celle présentée dans ce document. Visitez [www.segway.com](http://www.segway.com) pour télécharger les derniers documents utilisateur.

Veuillez noter qu'il existe de multiples modèles Segway et Ninebot possédant des fonctionnalités différentes, et certaines des fonctionnalités mentionnées ici peuvent ne pas s'appliquer à votre unité. Le fabricant se réserve le droit de modifier l'apparence et la fonctionnalité du produit et de la documentation de la trottinette sans préavis.

©2021 Ninebot (Beijing) Tech Co., Ltd. Tous droits réservés.

### Déclaration légale

**IMPORTANT : Ninebot eKickScooter (le « produit ») est un produit tout-terrain plutôt qu'un moyen de transport. Attention, l'utilisateur doit accepter de lire l'intégralité du manuel de l'utilisateur et de bien comprendre son contenu (en particulier les parties liées à la conduite de sécurité).**

1. Les « Parties Segway » mentionnées ci-dessus et ci-dessous sont le fabricant (« Ninebot ») Segway Ninebot EMEA. (« Segway ») et leurs sociétés affiliées (y compris, mais sans s'y limiter, leur société mère, filiale, sociétés affiliées, prédécesseur, société ultérieure, administrateurs, successeurs, ayants droit, dirigeants, administrateurs, dirigeants, employés, membres, actionnaires et agents, avocats, assureurs).
2. Ce produit peut être dangereux pour un utilisateur, d'autres personnes et des biens à proximité. L'utilisateur doit assumer tous les risques et pertes liés au produit (en particulier ceux liés et/ou découlant du non-respect des instructions relatives aux avertissements et aux mises en garde). Ces risques comprennent, mais sans s'y limiter, la perte de contrôle, la défaillance du produit et/ou la collision.

Les conséquences d'un tel incident peuvent être graves, y compris, mais sans s'y limiter, des blessures, des blessures corporelles, la mort et/ou des dommages matériels. Les parties Segway ne pourront être tenues responsables d'aucune réclamation, responsabilité ou perte liée à de telles conséquences si elle est due à la prise de risque par l'utilisateur.

3. Le produit est un moyen de divertissement et de jeu. L'utilisateur peut ne pas avoir l'expérience et les compétences nécessaires et suffisantes pour le conduire, en particulier dans des environnements complexes et/ou sur route inadaptée. Un tel risque peut augmenter si l'utilisateur a une déficience ou un handicap physique et/ou mental. Ce risque peut également augmenter si l'utilisateur n'est pas suffisamment familiarisé avec les fonctions, les caractéristiques et les performances du produit. Ainsi, les nouveaux utilisateurs doivent apprendre et s'exercer à utiliser ce produit correctement et en toute sécurité.
4. L'utilisateur doit régulièrement et périodiquement, selon les circonstances, inspecter et entretenir le produit. L'utilisateur doit également effectuer un examen et une inspection raisonnables du produit à chaque utilisation. Par exemple, à chaque fois avant d'utiliser le produit, l'utilisateur doit vérifier et examiner les performances des pneus, le niveau de la batterie et toutes les pièces fonctionnelles. En cas d'anomalie, de décoloration ou de changement de couleur du matériau (en particulier dans une zone soumise à des contraintes élevées lorsque le produit est en mouvement ou en fonctionnement), rayures, fissures, fixations desserrées et/ou pièces manquantes (telles que vis, boulons et/ou écrous) il est fortement indiqué qu'il n'est pas sûr d'utiliser le produit.
5. Puisqu'il est impossible de prévoir et/ou d'anticiper tous les scénarios, conditions et/ou circonstances dans lesquels un utilisateur du produit peut être exposé à des risques et des dangers, le Manuel de l'utilisateur n'est pas destiné à constituer une liste exhaustive sur la façon de conduire le produit en toute sécurité et/ou éviter les dangers liés au produit. Ainsi, en plus de respecter les instructions, l'utilisateur doit également conduire et/ou utiliser le produit avec responsabilité, prudence, précaution et faire preuve de son meilleur jugement.
6. Les utilisateurs doivent vérifier et respecter les lois ou réglementations locales relatives au produit. Les lois et réglementations peuvent être différentes selon les juridictions. Entre autres, ces lois et réglementations peuvent inclure :
  - a. **Un casque peut être légalement exigé par la loi ou la réglementation locale de votre juridiction.**
  - b. **Vous pouvez obtenir plus d'informations relatives aux exigences légales sur le produit auprès des autorités locales.**
7. Les utilisateurs vérifieront immédiatement si le produit et ses accessoires sont en bon état à la réception du produit.

8. Tous les composants et pièces séparés des produits doivent être correctement installés conformément au Manuel de l'utilisateur. Une installation et/ou un assemblage inappropriés peuvent augmenter considérablement le risque de perte de contrôle, de défaillance du produit, de collision et de chute. Le produit peut contenir des pièces amovibles et de petites pièces. Veuillez les tenir hors de la portée des enfants pour éviter les risques d'étouffement.
9. Ne vous débarrassez pas de ce produit dans une décharge, par incinération ou en le mêlant aux ordures ménagères.  
  
Des dangers ou des blessures graves peuvent survenir en raison des composants électriques et de la batterie. Pour de plus amples informations sur la, batterie et les déchets électriques, veuillez contacter le service de traitement des déchets ménagers, votre bureau local ou régional de gestion des déchets ou votre point de vente. L'utilisateur ne doit pas utiliser d'accessoires non originaux ni démonter ou modifier le produit sans autorisation. Tous les dommages, blessures et dégâts matériels découlant d'une telle utilisation relèveront de votre seule responsabilité et seront à vos propres risques.
10. Les Parties Segway se réserve le droit d'apporter des modifications au produit, de publier des mises à jour du firmware et de mettre à jour ce manuel à tout moment. Les Parties Segway peuvent apporter des améliorations et des modifications à ce Manuel de l'utilisateur en raison d'erreurs typographiques, d'inexactitudes des informations actuelles ou de modifications apportées aux programmes et/ou à l'équipement, et cela à tout moment et sans préavis. Ces changements seront toutefois incorporés dans les nouvelles éditions de ce manuel de l'utilisateur. Toutes les illustrations ne sont qu'à des fins d'illustration et peuvent ne pas représenter avec précision l'appareil réel. Le produit réel et les fonctions peuvent varier. En raison de la mise à jour du produit, des différences de couleur, d'apparence et d'autres aspects entre le produit répertorié dans ce manuel et le produit que vous avez réellement acheté peuvent se produire. Veuillez vous référer au produit réel.
11. Ce document doit être considéré comme une partie permanente du produit et il doit être fourni à l'utilisateur avec le produit à tout moment.

**Merci encore d'avoir choisi le Ninebot eKickScooter !**

## 10. Contact

Contactez-nous si vous rencontrez des problèmes associés à l'utilisation, l'entretien et la sécurité ou en cas d'erreurs / de fautes en lien avec le Ninebot eKickScooter.

Europe, Moyen-Orient et Afrique :

Segway-Ninebot EMEA, Dynamostraat 7, 1014 BN Amsterdam, Pays-Bas

Site web : [www.segway.com](http://www.segway.com)

Assurez-vous de disposer du numéro de série de votre Ninebot eKickScooter lorsque vous contactez Segway.

Vous trouverez ce numéro de série au-dessous de votre Ninebot eKickScooter.



# Ninebot eKickScooter **ZING A6** Benutzerhandbuch



L'image est fournie uniquement à des fins d'illustration. Le produit réel peut varier.

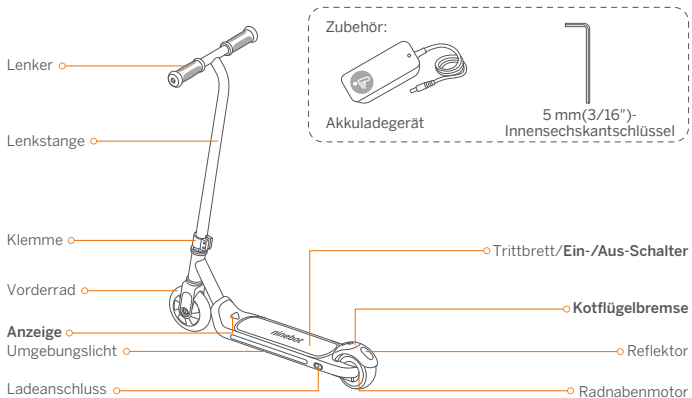
## ninebot®

Zur Minimierung des Verletzungsrisikos ist die Aufsicht eines Erwachsenen erforderlich. Vor Ihrer ersten Fahrt gibt es zu Ihrer Sicherheit eine Geschwindigkeitsbegrenzung am Gerät. Die Anfangsgeschwindigkeit ist auf 5 km/h (3.1 mph) begrenzt, wobei die Anzeigefarbe rot ist und ein Summerwarnton ertönt. Bitte scannen Sie unbedingt den QR-Code am Kickscooter, um zu erfahren, wie Sie ihn vollständig aktivieren können.

Vielen Dank, dass Sie sich für den Ninebot eKickScooter entschieden haben (in diesem Handbuch als Kickscooter bezeichnet)!

Der Kickscooter ist speziell für ruhiges und sicheres Fahren konzipiert. Er kombiniert die Kraft der Elektrizität mit dem Stil eines traditionellen Kickscooters. Dieser coole Kickscooter sorgt für ein müheloses Fahrerlebnis.

## 1. Teile und Funktionen



### Ein-/Aus-Schalter:

Einen Fuß auf das Trittbrett stellen, um den Kickscooter zu starten. Daraufhin erfolgt ein Signalton als Bedienerhinweis. Beide Füße 30 Sekunden lang vom Trittbrett nehmen, dann schaltet sich der Kickscooter automatisch aus.

### Kotflügelbremse:

- **Geschwindigkeitsmodus wechseln:** Wenn der Kickscooter im eingeschalteten Zustand still steht, können Sie durch zweimaliges Treten auf die Kotflügelbremse den Geschwindigkeitsmodus wechseln.
- **Bremse:** Beim Fahren auf die Kotflügelbremse treten, um zu bremsen.

## Anzeige

Die Farbe der Anzeige zeigt den Akkuladestand oder eine Anomalie an.

Akkuladestand	≥ 10 %	< 10 %	Nicht aktiviert oder Alarm bei Unregelmäßigkeit
Anzeigefarbe	weiß	rot	rot

**Hinweis:** Wenn der Akkustand unter 10 % liegt, blinkt die Anzeige nicht mehr.

Die Blinkweise der Anzeige zeigt verschiedene Geschwindigkeitsmodi an.


Geschwindigkeitsmodus	Geschwindigkeit im ersten Gang	Geschwindigkeit im zweiten Gang	Geschwindigkeit im dritten Gang
Max. Geschwindigkeit	8 km/h (5.0 mph)	10 km/h (6.2 mph)	12 km/h (7.5 mph)
Anzeige	Dauerlicht, mit 1 Signalton	Langsames Blinken, mit 2 Signaltonen	Schnelles Blinken, mit 3 Signaltonen

## Bedienerhinweisanzeige

Zustand	Bedienerhinweis
Nicht aktiviert	3 kurze Signaltone (ständig)
Akkutemperatur zu hoch	2 kurze Signaltonen und 1 langer Signalton (ständig)
Akkutemperatur zu niedrig	2 kurze Signaltonen und 2 lange Signaltonen (ständig)
Geschwindigkeit >12 km/h (7.5 mph)	2 lange Signaltonen (ständig)
Akkuladestand: <10 %	2 kurze Signaltonen
Das Ladegerät abziehen und anschließen	1 kurzer Signalton
Einschalten	1 kurzer Signalton
Ausschalten	1 langer Signalton



## 2. Fahrsicherheit

- 1 Das Produkt ist nur für Freizeit Zwecke vorgesehen. Es darf nicht für Transportzwecke verwendet werden. Verändern Sie den Kickscooter nicht in irgendeiner Weise, um den Zweck zu ändern, für den er konstruiert wurde. Bis es mit dem Fahren einwandfrei klappt, ist etwas Übung erforderlich. Achten Sie darauf, vorsichtig zu fahren, da es Geschicklichkeit erfordert, um Stürze oder Kollisionen zu vermeiden, durch die der Fahrer oder andere Personen verletzt werden könnten.
- 2 Die Segway-Parteien sind nicht verantwortlich für Verletzungen, Schäden oder Rechtsstreitigkeiten, die durch die Unerfahrenheit eines Fahrers oder die Nichtbeachtung der Anweisungen in diesem Handbuch verursacht werden.
- 3 Bitte denken Sie daran, dass bei jeder Fahrt mit dem Kickscooter Verletzungen durch Kontrollverlust, Kollisionen und Stürze möglich sind. Zur Reduzierung des Risikos bitte unbedingt alle unter „VORSICHT“ und „ WARNHINWEIS“ aufgeführten Hinweise lesen und beachten. Durch Befolgung aller Anweisungen und Warnhinweise in diesem Handbuch lässt sich das Verletzungsrisiko zwar reduzieren, jedoch nicht vollständig ausschließen. Beim Fahren bitte gesunden Menschenverstand walten lassen.
- 4 Der Zusammenbau und die Einstellung darf NUR von Erwachsenen durchgeführt werden. Der Kickscooter enthält Kleinteile, die eine Erstickungsgefahr darstellen können. Um eine Erstickungsgefahr zu vermeiden, Kinder die Kunststoffabdeckung nicht berühren lassen. Kinder müssen immer unter elterlicher Aufsicht stehen.
- 5 Lassen Sie KEINE Person den Kickscooter alleine fahren, es sei denn, die beaufsichtigenden Erwachsenen haben dieses Handbuch sorgfältig gelesen. Es liegt in der Verantwortung des beaufsichtigenden Erwachsenen, die Sicherheit des neuen Fahrers zu gewährleisten. Assistieren Sie neuen Fahrern, bis sie sich mit der grundlegenden Bedienung des Kickscooters vertraut gemacht haben. Der Fahrer muss einen Helm sowie weitere Schutzausrüstung tragen. Das Produkt bitte mit dem Benutzerhandbuch an andere weitergeben.

### **WARNHINWEIS**

Schutzausrüstung tragen. Nicht im Straßenverkehr verwenden. Lassen Sie sich niemals von einem anderen Fahrzeug ziehen. NICHT im Regen oder durch Pfützen fahren. Nicht für Kinder mit einem Körpergewicht von mehr als 40 kg.

### Fahrflächen und Umgebung:

- Dieser Kickscooter ist für das Fahren auf flachen, trockenen und gepflasterten Flächen vorgesehen. Nur im Freien fahren. Stellen Sie sicher, dass sich keine Kinder, Fußgänger, Haustiere, Skateboards, Fahrräder, Kickscooter, andere Fahrer oder potentielle Hindernisse in der Nähe befinden.

- Niemals auf Fahrwegen, in der Nähe von Kraftfahrzeugen, in der Nähe von starken Gefällen oder Stufen, Schwimmbädern oder anderen Gewässern verwenden. Baustellen, plötzliche Oberflächenveränderungen, Abwassergitter, Schlaglöcher, rissige Oberflächen, Hydranten, geparkte Autos, Schwellen zur Geschwindigkeitsbegrenzung und andere Hindernisse vermeiden. Nicht auf lockerem Boden (wie Steine, Kies oder Sand) fahren.
- Nicht unter extremen Temperaturbedingungen oder bei schlechter Sicht fahren, wie z. B. bei Dämmerung oder nachts. Nicht bei Schnee oder Regen fahren. Wenn der Kickscooter in Wasser getaucht wird, kann dies dazu führen, dass der Akku beschädigt wird, Feuer fängt oder sogar explodiert.

### **WARNHINWEIS**

Wenn der Kickscooter ungewöhnliche Geräusche macht oder einen Alarm signalisiert, sofort anhalten. Halten Sie beim Fahren die Hände IMMER am Lenker und fahren Sie NICHT mit einer Hand oder auf einem Fuß.

### Vor dem Fahren:

Um ungewollte Verletzungen zu vermeiden, sollte die Aufsichtsperson des Fahrers vor jeder Fahrt die folgenden Punkte überprüfen:

- Zustand der Karosserie und der Reifen usw. Stellen Sie sicher, dass keine Teile, einschließlich Lenker, Lenkstange, Kotflügelbremse, Schrauben, lose oder beschädigt sind.
- Akkuleistung: Wenn die Anzeige rot leuchtet, bedeutet dies, dass der Kickscooter nicht genug Leistung hat, um normal weiterzufahren. Bitte rechtzeitig aufladen, um mögliche Gefahren zu vermeiden.

### Beim Fahren:

- NUR ein Fahrer!
- Beim Fahren mit dem Kickscooter immer einen Helm und weitere Schutzausrüstung (wie Ellbogen- und Knieschützer) tragen. Benutzen Sie einen zugelassenen Fahrrad- oder Skateboardhelm der richtigen Helmgröße, der Ihren Hinterkopf schützt, und legen Sie den Kinnriemen an.
- Überholen Sie NICHT und reduzieren Sie die Geschwindigkeit in unbekannter Umgebung. In Gebieten mit Bäumen, Pfosten oder Zäunen vorsichtig fahren. Bei einer Richtungsänderung stets langsam fahren.
- Seien Sie wachsam! Schauen Sie sowohl in die Ferne als auch auf das, was direkt vor dem Kickscooter liegt. Ihre Augen sind das beste Hilfsmittel, um Hindernisse und rutschige Oberflächen zu vermeiden (insbesondere nasse Böden, losen Sand, losen Kies und Eis).

- Plötzliches Beschleunigen oder Verlangsamten vermeiden. Niemals schneller als die zugelassene Höchstgeschwindigkeit fahren (die Höchstgeschwindigkeit kann durch Fahrgewicht, Akkuladestand, Gefälle usw. beeinflusst werden). Wie bei anderen Fahrzeugen auch erfordern höhere Geschwindigkeiten einen längeren Bremsweg. Ein plötzliches Abbremsen auf glatten Flächen kann zu Radschlupf oder Stürzen führen. Fahren Sie vorsichtig und halten Sie stets einen angemessenen Sicherheitsabstand zu Personen und Fahrzeugen ein.
- Halten Sie den Lenker mit beiden Händen und transportieren Sie nichts mit dem Kickscooter. Verwenden Sie während der Fahrt KEIN Handy, KEINE Kamera, Kopfhörer oder Ohrhörer oder üben irgendwelche sonstigen Tätigkeiten aus. NICHT bergab fahren.
- Berühren Sie keine sich bewegenden oder drehenden Räder. Verhindern Sie, dass Haare, Kleidung oder ähnliche Gegenstände mit den beweglichen Teilen in Kontakt kommen.
- Bitte steigen Sie vom Kickscooter ab und schieben Sie ihn, wenn Sie besondere Fahrbahnoberflächen wie Schwellen zur Geschwindigkeitsbegrenzung und Schlaglöcher feststellen.

### Wer sollte nicht fahren:

- I. Personen, die unter dem Einfluss von Alkohol, Drogen oder Rauschmitteln stehen.
- II. Personen, die an Krankheiten (vor allem am Kopf, Herz, Rücken und Hals) leiden, die sie bei anstrengenden körperlichen Aktivitäten einer Gefahr aussetzen.
- III. Personen mit eingeschränkter Fähigkeit, das Gleichgewicht halten zu können.
- IV. Personen, deren Alter, Körpergröße und Gewicht außerhalb der angegebenen Grenzen liegen (siehe *Technische Daten*).
- V. Personen mit beeinträchtigten geistigen Fähigkeiten, die die Risiken und die ordnungsgemäße Verwendung des Fahrzeugs nicht verstehen können.

### Sichere Verwendung:

- Fahren Sie den Kickscooter nicht bei Temperaturen, die außerhalb des Betriebstemperaturbereichs des Produkts liegen (siehe *Technische Daten*), weil niedrige/hohe Temperaturen die maximale Leistung/das maximale Drehmoment einschränken, was sogar zu Unfällen führen kann.
- Der Ständer muss sich beim Abstellen des Kickscooters immer auf einer flachen, stabilen Fläche befinden. Nachdem der Kickscooter mit dem Ständer abgestellt wurde, ist zu prüfen, dass er nicht leicht umfallen kann (z. B. durch Rutschen, Wind oder einen leichten Ruck). Den Kickscooter nicht an einem belebten Ort abstellen, sondern entlang einer Mauer.

- Es wird empfohlen, den Kickscooter regelmäßig zu warten (siehe *Wartung*).
- Bitte vor dem Aufladen des Akkus (siehe *Aufladen*) das Benutzerhandbuch lesen.

## WARNHINWEIS

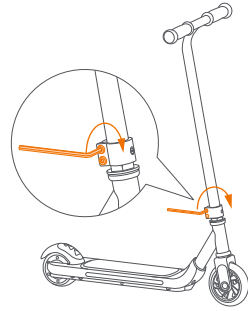
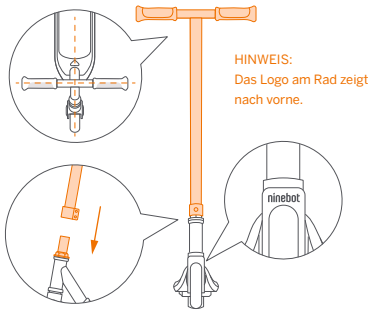
- Nur das Original-Ladegerät verwenden. Keinen Ladevorgang durchführen, wenn der Akku nass oder beschädigt ist.
- Erlauben Sie Ihrem Kind niemals, Fahrzeugteile mit Spalt zu berühren, wie beispielsweise Kotflügelbremse, Räder usw. Nach dem Fahren die Bremse oder den Radnabenmotor nicht berühren, um Verbrennungen durch erhöhte Temperatur zu vermeiden.

### 3. Zusammenbau und Aktivierung

#### ⚠️ WARNHINWEIS

Bitte vergewissern Sie sich vor dem Zusammenbau, dass der Kickscooter ausgeschaltet ist.

- 1 Die Lenkstange nach unten einsetzen und die Richtung des Lenkers so einstellen, dass er senkrecht zum Vorderrad steht.
- 2 Die beiden Schrauben an der Klemme anziehen, um sicherzustellen, dass sie fest montiert ist.



#### Aktivierung

Bitte scannen Sie den QR-Code, um zu erfahren, wie Sie das Fahrzeug vor dem Fahren aktivieren. Andernfalls wird die Fahrzeuggeschwindigkeit auf 5 km/h (3.1 mph) begrenzt.

### 4. Fahren lernen

\* Wenn die Anzeigeleuchte rot leuchtet, den Akku bitte sofort aufladen.

#### ⚠️ WARNHINWEIS

Immer einen Helm und andere Schutzausrüstung tragen, um mögliche Verletzungen im Lernprozess zu minimieren. Zur Minimierung des Verletzungsrisikos ist die Aufsicht eines Erwachsenen erforderlich.



- 1 In Betrieb nehmen: Einen Fuß auf das Trittbrett stellen, um den Kickscooter zu starten. Daraufhin erfolgt ein Signalton als Bedienerhinweis.
- 2 Fahren: Den Lenker mit beiden Händen festhalten und mit einem Bein abstoßen, um zu starten. Während der Fahrt beide Füße auf das Trittbrett stellen und das Gleichgewicht halten.



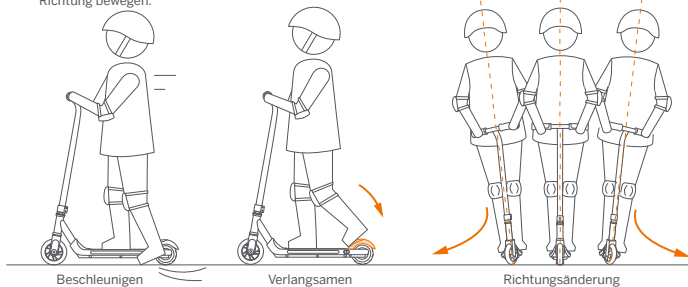
#### Geschwindigkeitsmodus wechseln

Wenn der Kickscooter im eingeschalteten Zustand still steht, können Sie durch zweimaliges Treten auf die Kotflügelbremse den Geschwindigkeitsmodus wechseln.

#### Hinweis:

Zu Ihrer Sicherheit startet der Radnabenmotor nicht, wenn die Geschwindigkeit weniger als 2 km/h (1.2 mph) beträgt.

- 3 Beschleunigen und verlangsamen: Innerhalb von 12 km/h (7.5 mph) kontinuierlich mit einem Bein abstoßen, um zu beschleunigen. Auf die Kotflügelbremse treten, um zu bremsen.
- 4 Richtungsänderung: Zur Richtungsänderung das Körpergewicht verlagern und den Lenker leicht in eine Richtung bewegen.



## ⚠️ WARNHINWEIS

Aufmerksam fahren und ein abruptes Beschleunigen oder Verlangsamen vermeiden. Andernfalls besteht das Risiko ernsthafter Verletzungen durch Ungleichgewicht, Verlust der Bodenhaftung und Stürze. Versuchen Sie NICHT, irgendwelche Kunststücke auszuführen. Beide Reifen müssen immer am Boden bleiben.



- 5 Absteigen: Wenn der Kickscooter angehalten hat, mit einem Fuß nach dem anderen absteigen. Beim ersten Absteigen besonders vorsichtig sein. Beide Füße 30 Sekunden lang vom Trittbrett nehmen, dann schaltet sich der Kickscooter automatisch aus.

## ⚠️ WARNHINWEIS

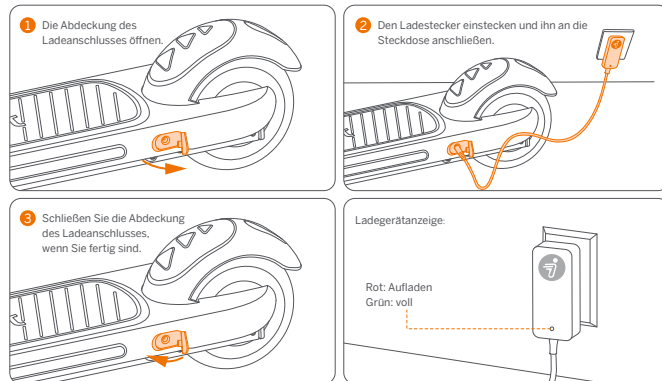
Ruhige Bewegungen ausführen und NICHT vom Kickscooter springen. Den Radnabenmotor NICHT berühren, um Verbrennungen zu vermeiden.

## 5. Aufladen

### VORSICHT

Das Ladegerät ist kein Spielzeug. Kinder dürfen das Ladegerät nicht berühren, der beaufsichtigende Erwachsene muss den Ladevorgang durchführen. Vor und während des Ladevorgangs sicherstellen, dass der Kickscooter ausgeschaltet ist.

### Ladeschritte



## ⚠️ WARNHINWEIS

- Nur das vom Hersteller angegebene Ladegerät verwenden. Andere Typen können explodieren und Feuer fangen.
- Versuchen Sie nicht, Ihren Kickscooter aufzuladen, wenn das Ladegerät oder die Steckdose feucht ist.
- Bei ungewöhnlichen Gerüchen, Geräuschen oder Lichtanzeigen das Aufladen sofort stoppen und den Kundendienst kontaktieren.
- Den Akku nicht in der Nähe von entflammaren oder explosiven Materialien aufladen und den Kickscooter an einem Ort aufbewahren, der außer Reichweite von Kindern ist.
- Wenn der Akku nicht aufgeladen wird, das Ladegerät ausstecken.

## 6. Technische Daten

Element	Ninebot eKickScooter ZING A6	
Gewicht und Größe	Nettogewicht	Ca. 4,6 kg (10.1 lbs)
	Länge × Breite × Höhe	Ca. 650 × 320 × 850 mm (25.6 × 12.6 × 33.5 inch)
Anforderungen bezüglich des Fahrers	Traglast	40 kg (88 lbs)
	Empfohlenes Alter	6+ Jahre
	Empfohlene Körpergröße	105-140 cm (3'5" - 4'7")
Fahrzeugparameter	Geschwindigkeitsmodus (Max. Geschwindigkeit)	Geschwindigkeit im ersten Gang: 8 km/h (5.0 mph), Geschwindigkeit im zweiten Gang: 10 km/h (6.2 mph), Geschwindigkeit im dritten Gang: 12 km/h (7.5 mph)
	Typische Reichweite <sup>[1]</sup>	Ca. 5 km (3.1 miles)
	Befahrbares Terrain	Flache Oberfläche, gepflasterte Straße; Hindernisse < 1 cm (0.4 in); Risse und Löcher < 1 cm (0.4 in)
	Betriebstemperatur	-10-40 °C (14-104°F)
	Lagerungstemperatur	-20-50 °C (-4-122°F); 5-30 °C (41-86°F) empfohlen
	IP-Schutzklasse	IPX4
	Ladezeit	Ca. 3 h
Akkusatz	Akkutyp	Lithium-Ionen-Akku
	Nennspannung	10,8 V ---
	Maximale Spannung	12,6 V ---
	Ladetemperatur	0-45 °C (32-113°F); 10-35 °C (50-95°F) empfohlen
	Nennleistung/Energie	2500 mAh/27 Wh
	Akkumanagementsystem	Überhitzungs-, Kurzschluss-, Überstrom- und Überladungsschutz
Motor	Nennleistung	50 W
	Max. Leistung	80 W (0,08 kW)
Akkuladegerät	Eingangsspannung	100-240 V~
	Nennleistung	11,6 V --- 1,0 A
	Ausgangsleistung	11,6 W (0,01 kW)
Sonstiges	Bremsverfahren	Kotflügelbremse
	Reifen	Vorderrad: PU-Rad, Hinterrad: Vollgummi
	Rahmenmaterial	Stahl
	Überstromschutzwert	7,5 A
	Material des Lenkers	TPR

[1] Typische Reichweite: getestet während der Fahrt mit vollem Akku, 30 kg (61 lbs) Last, bei 25 °C (77°F), 60 % der Höchstgeschwindigkeit im Durchschnitt auf Gehweg.

\* Für die erste Fahrt ist der Erste Gang-Modus der Standardgeschwindigkeitsmodus. Wenn der Kickscooter ausgeschaltet wird, bleibt die Einstellung des Geschwindigkeitsmodus bis zum nächsten Einschalten erhalten.

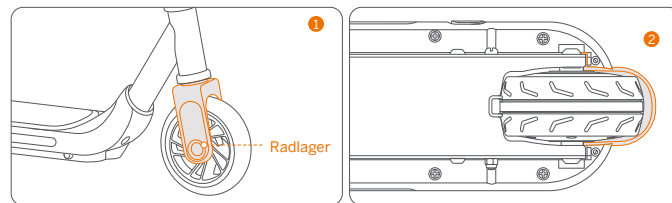
## 7. Wartung

Die Wartung sollte regelmäßig von einem Erwachsenen durchgeführt werden.

### Reinigung

Wischen Sie das Hauptgestell mit einem weichen, feuchten Tuch sauber. Schwer zu entfernende Flecken können mit einer Zahnbürste und Zahnpasta geschrubbt und anschließend mit einem weichen, feuchten Tuch abgewischt werden.

Um ein Verkleben der Räder, Radlager oder Bremsen zu vermeiden, reinigen und überprüfen Sie bitte diese Bereiche (wie in den grau unterlegten Bereichen unten dargestellt) auf Schmutz und andere Fremdkörper.



Entfernen Sie zuerst die Fremdkörper und wischen Sie dann mit einem weichen, feuchten Tuch nach. Beide Seiten des Lagers mit Schmieröl oder Maschinenöl schmieren. Wenn das Problem weiterhin besteht, wenden Sie sich bitte an den Kundendienst. **VORSICHT:** Fahren Sie NICHT auf schlammigen, staubigen, grasigen oder rutschigen Straßen, um die Ansammlung von Fremdkörpern zu vermeiden. Reinigen Sie Ihren Kickscooter nicht mit Alkohol, Benzin, Aceton oder anderen ätzenden/flüchtigen Lösungsmitteln. Diese Stoffe können das Aussehen und die Innenstruktur Ihres Kickscooters beschädigen. Waschen Sie Ihren Kickscooter nicht mit einem Hochdruckreiniger oder Schlauch.

### ⚠️ WARNHINWEIS

- Dieses Produkt nicht auf einer Deponie, durch Verbrennen oder mit dem Hausmüll entsorgen. Aufgrund der elektrischen Bauteile kann es zu gefährlichen Situationen/ernsthaften Verletzungen kommen.
- Vergewissern Sie sich vor der Reinigung, dass der Kickscooter ausgeschaltet, das Ladekabel ausgesteckt ist und die Gummikappe sicher auf dem Ladeanschluss aufsitzt. Andernfalls können Sie die elektrischen Bauteile beschädigen.

## Aufbewahrung

Vor der Lagerung überprüfen, ob der Kickscooter ausgeschaltet ist, und den Akku ganz aufladen, um eine Überentladung zu vermeiden, die zu permanenten Schäden führt. Bei Langzeitlagerung den Kickscooter alle 30 Tage aufladen. An einem kühlen und trockenen Ort im Innenbereich aufbewahren. Sonnenlicht und extreme Temperaturen (sowohl heiß als auch kalt) beschleunigen den Alterungsprozess der Fahrzeugkomponenten und können die Akkulebensdauer reduzieren. Wenn die Temperatur der Lagerumgebung unter 0 °C (32°F) liegt, laden Sie erst, nachdem Sie ihn in eine warme Umgebung gebracht haben, vorzugsweise über 10 °C (50°F).

## ⚠️ WARNHINWEIS

- Ist der Kickscooter längere Zeit UV-Strahlen, Regen oder anderen Witterungsverhältnissen ausgesetzt, können Schäden am Material entstehen.
- Lagern Sie Ihren Kickscooter bei Nichtbenutzung innen.
- Von Feuer fernhalten!

## Akku

Ein gut gewarteter Akku kann auch nach vielen Fahrkilometern eine gute Leistung bieten. Laden Sie den Akku nach jeder Fahrt und achten Sie darauf, den Akku nicht vollständig zu entladen. Bei einer Temperatur von 22 °C (72°F) sind Akkureichweite und -leistung optimal und das Fahrzeug kann eine größere Reichweite erzielen. Die Elektronik im Akku zeichnet den Lade- und Entladezustand des Akkus auf. Schäden, die durch ein übermäßiges Entladen oder unzureichendes Aufladen verursacht werden, fallen nicht unter die beschränkte Garantie.

## ⚠️ WARNHINWEIS

- Wenden Sie sich für Informationen über Akku- und Elektroschrott an Ihre Müllabfuhr, an Ihre örtliche oder regionale Abfallwirtschaft oder an Ihre Verkaufsstelle.
- Der Akku ist nicht austauschbar. Versuchen Sie nicht, den Akku auszutauschen oder zu zerlegen. Das Gehäuse darf nicht demontiert oder durchbohrt werden. Von Metallgegenständen fernhalten, um einen Kurzschluss zu vermeiden.
- Es besteht Feuer- und Stromschlaggefahr. Keine vom Benutzer zu wartenden Teile.
- Lagern oder laden Sie den Akku nicht bei Temperaturen außerhalb der angegebenen Grenzwerte (siehe Technische Daten).
- Niemals in gesetzlich verbotenen Bereichen aufladen.

## Akkuladegerät

Das Ladegerät regelmäßig auf Beschädigungen des Kabels, des Steckers, des Gehäuses und anderer Teile prüfen. Bei Beschädigungen den Gebrauch einstellen, bis die jeweiligen Teile repariert oder ausgetauscht wurden.

## ⚠️ WARNHINWEIS

Gefahr eines Stromschlags. Zerlegen Sie nicht das Gehäuse und berühren Sie keine Metallkontakte. NUR Lithium-Ionen-Akkus laden!

## Sonstiges

- Schalten Sie den Kickscooter aus, bevor Sie ihn anheben, bewegen oder auf andere Weise transportieren. Mit dem Kickscooter vorsichtig umgehen, keine Gewalt anwenden, wie beispielsweise durch Werfen oder starken Druck. Von Feuer und Wasser fernhalten.
- Im Lieferumfang des Produkts enthaltene Ersatzreifen müssen durch einen Fachreparateur am Rad befestigt werden. Das Entfernen von Rädern ist ein komplizierter Vorgang und eine unsachgemäße Montage kann zu Instabilitäten und Fehlfunktionen führen.

Bei Unfällen oder Störungen: Bitte kontaktieren Sie einen autorisierten Reparatuer, falls das Produkt noch unter die Garantie fällt. Falls das Produkt nicht mehr unter die Garantie fällt, können Sie einen Fachreparateur Ihrer Wahl kontaktieren. Sie können beim Kundenservice unter [www.segway.com](http://www.segway.com) eine Liste der autorisierten Reparaturwerkstätten erfragen.

Es wurden Anstrengungen unternommen, um die Formulierungen im Benutzerhandbuch für Fahrer verständlicher zu machen. Wir empfehlen Fahrern, sich an einen autorisierten Reparatuer bzw. Fachreparateur oder an den Kundenservice zu wenden, falls ein Reparatur- oder Einstellungsvorgang zu kompliziert erscheint.

## HINWEIS: VERSICHERUNG

IHRE VERSICHERUNGSPOLICEN BIETEN MÖGLICHERWEISE KEINEN VERSICHERUNGSSCHUTZ FÜR UNFÄLLE, DIE BEI VERWENDUNG DIESES KICKSCOOTERS AUFTRETEN KÖNNEN. UM FESTZUSTELLEN, OB EIN VERSICHERUNGSSCHUTZ ANGEBOTEN WIRD, WENDEN SIE SICH BITTE AN IHRE VERSICHERUNGSGESELLSCHAFT ODER IHREN -AGENTEN.

## 8. Zertifizierungen

Für das Modell: ZING A6

Der Akku entspricht den UN/DOT 38.3-Vorschriften.

### Übereinstimmungserklärung der Europäischen Union

#### Wichtige WEEE-Informationen



WEEE-Entsorgungs- und Recycling-Informationen. Korrekte Entsorgung dieses Produkts. Diese Kennzeichnung besagt, dass dieses Produkt innerhalb der gesamten EU nicht zusammen mit anderen Haushaltsabfällen entsorgt werden darf.

Um mögliche Schäden für die Umwelt oder die menschliche Gesundheit durch unkontrollierte Abfallentsorgung zu vermeiden, sollten Sie dieses Produkt recyceln und die nachhaltige Wiederverwendung von Materialressourcen unterstützen. Um Ihr Altprodukt zurückzugeben, verwenden Sie bitte die Rückgabe- und Sammelsysteme, oder wenden Sie sich an den Händler, bei dem das Produkt gekauft wurde. Sie können dieses Produkt für ein umweltfreundliches Recycling verwenden.

#### Informationen zum Batterierecycling in der Europäischen Union



Batterien oder Verpackungen für Batterien sind gemäß der Europäischen Richtlinie 2006/66/EG und der Änderung 2013/56/EU in Bezug auf Batterien und Akkumulatoren sowie Altbatterien und -akkumulatoren gekennzeichnet. Diese Richtlinie legt die Rahmenbedingungen für die Rückgabe und das Recycling benutzter Batterien und Akkumulatoren gemäß der Anwendung in der Europäischen Union fest. Dieser Aufkleber wird für unterschiedliche Batterien verwendet, um anzuzeigen, dass die Batterie nicht weggeworfen werden darf, sondern gemäß dieser Richtlinie an ihrem Lebensende zwecks Wiederverwertung eingesammelt werden muss.

In Übereinstimmung mit der Europäischen Richtlinie 2006/66/EG und der Änderung 2013/56/EU sind Batterien und Akkumulatoren gekennzeichnet, um anzugeben, dass diese gesondert eingesammelt und an ihrem Lebensende recycelt werden müssen. Auf dem Batterieaufkleber kann sich auch ein chemisches Symbol für das in der Batterie verwendete Metall befinden (Pb für Blei, Hg für Quecksilber und Cd für Kadmium). Benutzern von Batterien und

Akkumulatoren ist es untersagt, Batterien und Akkumulatoren als unsortierten Haushaltsabfall zu entsorgen. Diese sind vielmehr in das den Kunden für die Rückgabe, das Recycling und die Verarbeitung von Batterien und Akkumulatoren zur Verfügung stehende Entsorgungsnetzwerk zu überführen. Das Engagement des Kunden ist dabei von Bedeutung, um alle potentiellen Auswirkungen von Batterien und Akkumulatoren auf die Umwelt und die menschliche Gesundheit aufgrund darin enthaltener potentiell gefährlicher Substanzen zu minimieren.

Bevor elektrische und elektronische Geräte (EEE) in den Abfallsammelstrom oder in Abfallsammelanlagen gebracht werden, muss der Endverbraucher von Geräten, die Batterien und/oder Akkumulatoren enthalten, diese Batterien und Akkumulatoren zur getrennten Sammlung entfernen.

#### Richtlinie zur Einschränkung der Verwendung bestimmter gefährlicher Stoffe (RoHS)

Dieses Produkt von Ninebot (Changzhou) Tech Co., Ltd. mit den beiliegenden Teilen (Kabel, Leitungen usw.) erfüllt die Anforderungen der Richtlinie 2011/65/EU zur Einschränkung der Verwendung bestimmter gefährlicher Stoffe in Elektro- und Elektronikgeräten („RoHS-Neufassung“ oder „RoHS 2.0“).

#### Elektromagnetische Verträglichkeit

Ninebot (Changzhou) Tech Co., Ltd. erklärt hiermit, dass die in diesem Abschnitt aufgeführten Geräte den grundlegenden Anforderungen und anderen relevanten Bestimmungen der elektromagnetischen Verträglichkeit 2014/30/EU entsprechen.



Segway-Ninebot EMEA

EU Representative: Dynamostraat 7, 1014 BN Amsterdam, The Netherlands

Die Konformitätserklärung kann unter folgender Adresse eingesehen werden:

<http://eu-en.segway.com/support-instructions>

Hiermit erklärt Ninebot (Changzhou) Tech Co., Ltd., dass dieses Gerät den grundlegenden Anforderungen und anderen relevanten Bestimmungen der elektromagnetischen Verträglichkeit 2014/30/EU, der Richtlinie über die Sicherheit von Spielzeug 2009/48/EG und der RoHS-Richtlinie 2011/65/EU entspricht.

## 9. Marken- und Rechtshinweise

Ninebot ist eine eingetragene Marke von Ninebot (Tianjin) Tech. Co., Ltd; Segway und das Rider Design sind eingetragene Warenzeichen von Segway Inc.; die jeweiligen Eigentümer behalten sich die Rechte an ihren in diesem Handbuch genannten Marken vor.

Wir haben versucht, Beschreibungen und Anweisungen für alle Funktionen des Ninebot eKickScooter zum Zeitpunkt des Drucks aufzunehmen. Aufgrund ständiger Verbesserung der Produkteigenschaften und von Designänderungen kann Ihr Kickscooter jedoch leicht von dem in diesem Dokument beschriebenen Produkt abweichen. Besuchen Sie [www.segway.com](http://www.segway.com), um die neuesten Benutzermaterialien herunterzuladen.

Bitte beachten Sie, dass es zahlreiche Segway- und Ninebot-Modelle mit unterschiedlichen Funktionen gibt und dass einige der hier genannten Funktionen für Ihr Modell nicht zutreffend sind. Der Hersteller behält sich das Recht vor, Design und Funktionalität des Kickscooter-Produkts sowie die Dokumentation ohne vorherige Mitteilung zu ändern.

©2021 Ninebot (Beijing) Tech Co., Ltd. Alle Rechte vorbehalten.

### Rechtshinweis

**WICHTIG: Der Ninebot eKickScooter (das „Produkt“) ist eher ein Offroad-Produkt als ein Transportmittel. Der Benutzer muss sich verpflichten, das gesamte Benutzerhandbuch zu lesen und dessen Inhalt vollständig zu verstehen (insbesondere die Abschnitte, die sich auf das sichere Fahren beziehen).**

1. Die oben und unten genannten „Segway-Parteien“ sind der Hersteller („Ninebot“) Segway-Ninebot EMEA („Segway“) und seine verbundenen Unternehmen (einschließlich, aber nicht beschränkt auf ihre Muttergesellschaft, Tochtergesellschaft, verbundenen Unternehmen, Vorgänger, Nachfolgeunternehmen, Verwalter, Nachfolger, Abtretungsempfänger, leitenden Angestellten, Direktoren, Manager, Mitarbeiter, Mitglieder, Anteilseigner sowie Vertreter, Anwälte, Versicherer).
2. Dieses Produkt kann eine Gefahr für den Benutzer, andere Personen und in der Nähe befindliche Gegenstände darstellen. Der Benutzer übernimmt alle Risiken und Verluste im Zusammenhang mit dem Produkt (insbesondere für solche, die mit der Missachtung von Warnhinweisen und Vorsichtsmaßnahmen zusammenhängen und/oder daraus entstehen). Zu diesen Risiken gehören unter anderem, aber nicht ausschließlich: Kontrollverlust, Ausfall des Produkts und/oder Kollision.

Die Folgen eines solchen Vorfalles können schwerwiegend sein, einschließlich, aber nicht beschränkt auf Verletzungen, Körperverletzungen, Tod und/oder Sachschäden. Die Segway-Parteien haften nicht für Ansprüche, Haftung und Verluste im Zusammenhang mit solchen Folgen, wenn diese auf die Risikoübernahme durch den Benutzer zurückzuführen sind.

3. Das Produkt ist ein Mittel zur Unterhaltung und zum Spielen. Der Benutzer verfügt möglicherweise nicht über die nötige und ausreichende Erfahrung und Fähigkeit, um damit zu fahren, insbesondere in komplexen Umgebungen und/oder auf unerwünschten Straßen. Dieses Risiko kann sich erhöhen, wenn der Benutzer eine körperliche und/oder geistige Beeinträchtigung oder Behinderung hat. Ein solches Risiko kann sich auch erhöhen, wenn der Benutzer mit den Funktionen, Merkmalen und der Leistung des Produkts nicht ausreichend vertraut ist. Daher müssen neue Benutzer lernen und üben, wie dieses Produkt richtig und sicher verwendet wird.
4. Der Benutzer muss das Produkt regelmäßig und von Zeit zu Zeit, wie es die Umstände erfordern, prüfen und warten. Der Benutzer muss außerdem jedes Mal vor dem Fahren eine angemessene Prüfung und Inspektion des Produkts durchführen. Beispielsweise muss der Benutzer jedes Mal vor dem Fahren des Produkts die Reifenleistung, den Akkustand und alle Funktionsteile überprüfen. Wenn Anomalien, Verfärbungen oder Farbveränderungen des Materials (insbesondere in einem Bereich, der bei Bewegung des Produkts oder an einer Verbindungsstelle stark beansprucht wird), Kratzer, Risse, lockere Befestigungselemente und/oder fehlende Teile (wie Schrauben, Bolzen und/oder Muttern) festzustellen sind, weist dies stark darauf hin, dass das Produkt nicht sicher zu fahren ist.
5. Da es unmöglich ist, alle Szenarien, Bedingungen und/oder Umstände, unter denen ein Produktbenutzer Risiken und Gefahren ausgesetzt sein kann, vorherzusagen und/oder vorherzusehen, erhebt das Benutzerhandbuch nicht den Anspruch, eine umfassende Liste zu sein, wie das Produkt sicher zu fahren ist und/oder Gefahren im Zusammenhang mit dem Produkt vermieden werden können. Der Benutzer muss also nicht nur die Anweisungen befolgen, sondern das Produkt auch verantwortungsbewusst, vorsichtig und nach bestem Wissen und Gewissen fahren und/oder benutzen.
6. Die Benutzer müssen die örtlichen Gesetze oder Vorschriften für das Produkt prüfen und befolgen. Die Gesetze und Vorschriften können in verschiedenen Gerichtsbarkeiten unterschiedlich sein. Zu diesen Gesetzen und Vorschriften können u. a. gehören:
  - a. Ein Helm kann durch lokale Gesetze oder Vorschriften in Ihrer Gerichtsbarkeit gesetzlich vorgeschrieben sein.
  - b. Weitere Informationen zu den gesetzlichen Anforderungen an das Produkt erhalten Sie möglicherweise von Ihrer Kommunalverwaltung.
7. Die Benutzer sollten sofort nach Erhalt des Produkts prüfen, ob das Produkt und sein Zubehör in gutem Zustand sind.



8. Alle separaten Komponenten und Teile des Produkts müssen dem Benutzerhandbuch entsprechend ordnungsgemäß installiert werden. Eine unsachgemäße Installation und/oder Montage kann das Risiko von Kontrollverlust, Produktversagen, Kollisionen und Stürzen erheblich erhöhen. Das Produkt kann abnehmbare Komponenten und Kleinteile enthalten. Bitte bewahren Sie diese außerhalb der Reichweite von Kindern auf, um die Gefahr des Verschluckens zu vermeiden.
9. Dieses Produkt nicht auf einer Deponie, durch Verbrennen oder mit dem Hausmüll entsorgen.  
Aufgrund der elektrischen Komponenten und des Akkus kann es zu ernsthaften Gefahren/Verletzungen kommen. Wenden Sie sich für Informationen über Akku- und Elektroschrott an Ihre Müllabfuhr, an Ihre örtliche oder regionale Abfallwirtschaft oder an Ihre Verkaufsstelle. Der Benutzer darf nur Originalzubehör verwenden oder das Produkt nicht ohne Genehmigung zerlegen bzw. modifizieren. Alle Schäden, Verletzungen und Sachbeschädigungen, die daraus entstehen, liegen in Ihrer alleinigen Verantwortung und erfolgen auf Ihr Risiko.
10. Die Segway-Parteien behalten behält sich das Recht vor, jederzeit Änderungen am Produkt vorzunehmen, Firmware-Updates zu veröffentlichen und dieses Handbuch zu aktualisieren. Die Segway-Parteien können jederzeit und ohne Vorankündigung Verbesserungen und Änderungen an diesem Benutzerhandbuch vornehmen, die aufgrund von Druckfehlern, Ungenauigkeiten der aktuellen Informationen oder Änderungen an Programmen und/oder Ausstattung erforderlich sind. Solche Änderungen werden jedoch in neue Ausgaben dieses Benutzerhandbuchs eingefügt. Alle Abbildungen dienen nur zur Veranschaulichung und stellen das tatsächliche Gerät möglicherweise nicht genau dar. Das tatsächliche Produkt und seine Funktionen können davon abweichen. Aufgrund der Aktualisierung des Produkts kann es zu Abweichungen hinsichtlich Farbe, Aussehen und anderen Aspekten zwischen dem in diesem Handbuch aufgeführten und dem von Ihnen erworbenen Produkt kommen. Bitte beziehen Sie sich auf das tatsächliche Produkt.
11. Dieses Dokument ist als fester Bestandteil des Produkts zu betrachten und sollte dem Benutzer stets zusammen mit dem Produkt zur Verfügung gestellt werden.

**Nochmals vielen Dank, dass Sie sich für den Ninebot eKickScooter entschieden haben!**

## 10. Kontakt

Bitte wenden Sie sich an uns, wenn Probleme im Zusammenhang mit der Benutzung, Wartung und Sicherheit oder wenn

Fehler/Probleme mit Ihrem Ninebot eKickScooter auftreten sollten.

Europa, Nahost und Afrika:

Segway-Ninebot EMEA, Dynamostraat 7, 1014 BN Amsterdam, The Netherlands

Website: [www.segway.com](http://www.segway.com)

Bitte halten Sie die Seriennummer Ihres Ninebot eKickScooter bereit, wenn Sie Segway kontaktieren.

Die Seriennummer finden Sie auf der Unterseite Ihres Rollers.



# Ninebot eKickScooter **ZING A6** Manuale Utente



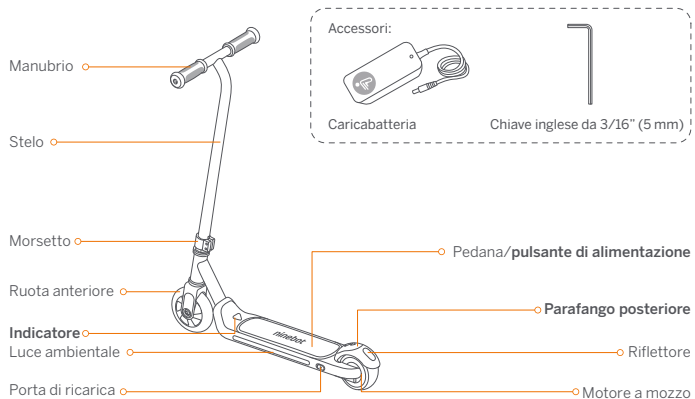
**ninebot**<sup>®</sup>

Per ridurre il rischio di lesioni, è richiesta la supervisione di un adulto. Prima di iniziare la prima corsa, è presente un limite di velocità sul dispositivo ai fini della sicurezza dell'utente. La velocità iniziale è limitata a 3.1 mph (5 km/h) con la spia di colore rosso e un avvisatore acustico. Assicurarsi di scansionare il codice QR per imparare ad azionare a pieno regime il monopattino.

Die Abbildung dient nur zur Veranschaulichung. Das tatsächliche Produkt kann davon abweichen.

Grazie per aver scelto il Ninebot eKickScooter (indicato come il monopattino in questo manuale)!  
 Il monopattino è appositamente progettato per una guida fluida e sicura. Combina la potenza dell'elettricità e lo stile di un monopattino tradizionale. Goditi un'agevole esperienza di guida su questo fantastico monopattino.

## 1. Parti e funzioni



### Pulsante di alimentazione:

Posizionare un singolo piede sulla pedana per avviare il monopattino, quindi si udirà un segnale acustico come richiesto. Togliere entrambi i piedi dalla pedana per 30 secondi e il monopattino si spegnerà automaticamente.

### Parafango posteriore:

- **Interruttore modalità velocità:** se il monopattino è fermo ed è in stato di accensione, muovere due volte il parafango posteriore per cambiare la modalità di velocità.
- **Freno:** Durante la guida, salire sul parafango posteriore per frenare.

## Indicatore

Il colore dell'indicatore mostra il livello della batteria o anomalie:

Livello della batteria	≥ 10%	< 10%	Avviso non attivato o anomalia
Colore dell'indicatore	bianco	rosso	rosso

**NOTA:** Se il livello della batteria è inferiore al 10%, l'indicatore smetterà di lampeggiare.

Il tipo di lampeggiamento dell'indicatore mostra diverse modalità di velocità.

Modalità velocità	Velocità prima marcia	Velocità seconda marcia	Velocità terza marcia
Max. velocità	5,0 mph (8 km/h)	6,2 mph (10 km/h)	7,5 mph (12 km/h)
Indicatore	fisso, con 1 segnale acustico	lampeggia lentamente, con 2 segnali acustici	lampeggia lentamente, con 3 segnali acustici

## Indicazione rapida

Stato	Richiesta
Non attivato	3 segnali acustici brevi (continuamente)
La temperatura della batteria è troppo alta	2 segnali acustici brevi e 1 segnale acustico lungo (continuamente)
La temperatura della batteria è troppo bassa	2 segnali acustici brevi e 2 segnali acustici lunghi (continuamente)
Velocità > 7,5 mph (12 km/h)	2 segnali acustici lunghi (continuamente)
Livello della batteria: <10%	2 segnali acustici brevi
Estrarre e collegare il caricabatteria	1 segnale acustico breve
Accensione	1 segnale acustico breve
Spegnimento	1 segnale acustico lungo

## 2. Sicurezza durante la guida

- 1 Il prodotto viene utilizzato solo per motivi di svago. Non è destinato al trasporto. Non modificare in alcun modo il monopattino per scopi diversi per il quale è stato progettato. Per padroneggiare le abilità di guida, il pilota ha bisogno di fare pratica. Utilizzare il prodotto con cautela poiché è necessaria abilità per evitare cadute o collisioni che possono causare lesioni all'utente o a terze parti.
- 2 Le parti Segway non sono responsabili di eventuali lesioni o danni causati dall'inesperienza dell'utente o dall'inosservanza delle istruzioni riportate nel presente manuale.
- 3 Tenere presente che ogni volta che si guida il monopattino si rischiano lesioni a causa di perdita di controllo, collisioni e cadute. Per ridurre rischi, è necessario leggere e seguire tutti gli avvisi "PRUDENZA" e "⚠ ATTENZIONE". Si prega di comprendere che è possibile ridurre i rischi seguendo le istruzioni e le avvertenze in questo manuale, ma non è possibile eliminare tutti i rischi. Si prega di utilizzare il buon senso durante la guida.
- 4 L'assemblaggio e la regolazione devono essere eseguiti SOLO da adulti. Il monopattino contiene piccole parti che possono costituire un rischio di soffocamento. Per evitare il soffocamento, non permettere ai bambini di accedere alla copertura in plastica. I bambini devono essere sempre sorvegliati dai genitori.
- 5 NON consentire a nessuno di guidare il monopattino da solo a meno che lui/lei e la persona adulta che sorveglia non abbiano letto attentamente questo manuale. È responsabilità dell'adulto supervisore garantire la sicurezza del nuovo utente. Assistere i nuovi utenti fino al momento in cui abbiano preso dimestichezza con il funzionamento basilare del monopattino. Assicurarsi che i nuovi utenti indossino un casco e le altre attrezzature protettive. Quando si lascia il prodotto ad altri, consegnarlo insieme al Manuale Utente.

### ⚠ ATTENZIONE

**Indossare attrezzature protettive. Non guidare nel traffico. Non attaccarsi mai ad un altro veicolo. NON guidare sotto la pioggia o nelle pozzanghere. Non adatto a bambini con una massa corporea superiore a 40 kg.**

### Superfici e ambiente di guida:

- Questo monopattino è progettato per la guida su superfici piane, asciutte e asfaltate. Guidare in uno spazio esterno all'aria aperta. Assicurarsi che non vi siano bambini, pedoni, animali domestici, skateboard, biciclette, monopattini, altri ciclisti o potenziali ostacoli nelle vicinanze.

- Non usarlo mai su strade, in prossimità di veicoli a motore e vicino a pendenze o gradini ripidi, piscine o altri sorgenti d'acqua. Evitare cantieri edili, improvvisi cambi di superficie, griglie di drenaggio, buche, crepe, idranti, auto parcheggiate, dossi di velocità e altri ostacoli. Non guidare su terreni dissestati (con pietre, ghiaia o sabbia).
- Non guidare in condizioni di temperatura estreme o in condizioni di scarsa visibilità, ad esempio all'alba/al tramonto o di notte. Non guidare sulla neve o sotto la pioggia. L'immersione in acqua potrebbe causare danni alla batteria, incendio o addirittura esplosione.

### ⚠ ATTENZIONE

**Se il monopattino emette suoni anomali o segnala un allarme, interrompere immediatamente la guida. Durante la guida, tenere sempre le mani sul manubrio e NON guidare con una mano o un piede.**

### Prima di guidare:

per evitare lesioni accidentali, la persona che sorveglia l'utente dovrebbe controllare i seguenti aspetti prima di ogni corsa:

- Stato della carrozzeria e dello pneumatico del veicolo, ecc. Assicurarsi che qualsiasi parte, inclusi manubrio, stelo, parafango posteriore o viti, non sia allentata o danneggiata.
- Ricarica della batteria: Se la spia s'illumina di rosso, significa che il monopattino non ha abbastanza potenza per garantire la normale guida. Ricaricare in tempo per evitare possibili pericoli.

### Durante la guida:

- Deve esserci SOLO un pilota.
- Indossare sempre un casco e altri indumenti protettivi (come gomitiere e ginocchiere) quando si guida il monopattino. Utilizzare un casco da bicicletta o skateboard omologato della giusta dimensione con una cinghia sotto mento e in grado di fornire protezione alla nuca.
- NON sorpassare. Rallentare quando si guida in aree sconosciute. Usare cautela quando si guida in aree con alberi, pali o recinti. Rallentare sempre in curva.
- Prestare attenzione e controllare sempre, preventivamente, ciò che si trova dinanzi a sé e in lontananza. Gli occhi sono il mezzo migliore per evitare in sicurezza ostacoli e superfici a basso attrito (inclusi, ma non solo, pavimento bagnato, sabbia, ghiaia e ghiaccio).

- Evitare accelerazioni e decelerazioni improvvise. Non guidare mai a una velocità superiore a quella massima prevista (la velocità massima può essere influenzata dal peso del ciclista, dal livello della batteria, dall'inclinazione, ecc.). Come per ogni altro veicolo, velocità superiori richiedono distanze di frenata maggiori. Una frenata improvvisa su superfici a bassa trazione potrebbe causare slittamenti o cadute. Occorre usare cautela e mantenere sempre una distanza di sicurezza tra il monopattino e gli altri quando si guida.
- Tenere entrambe le mani sul manubrio e non trasportare carichi di alcun tipo. NON utilizzare accessori come cellulare, fotocamera, cuffie, auricolari, né eseguire altre attività durante la guida. NON guidare in discesa.
- Non toccare le ruote in movimento. Evitare che capelli, indumenti o oggetti simili entrino a contatto con le parti in movimento.
- Scendere dal monopattino e portarlo con sé quando si percorrono superfici stradali particolari come dossi e buche.

### Chi non deve guidare:

- I. Chiunque sia sotto l'influsso di alcol, droghe o sostanze intossicanti.
- II. Chiunque soffra di malattie (soprattutto alla testa, al cuore, alla schiena e al collo) che lo mettono a rischio se intraprende un'attività fisica faticosa.
- III. Chiunque abbia una condizione di salute che interferisce con la sua capacità di mantenere l'equilibrio.
- IV. Chiunque abbia età, altezza e peso al di fuori dei limiti indicati (vedere *Specifiche*).
- V. Persone con capacità mentali compromesse che non sono in grado di comprendere i rischi e il corretto funzionamento del veicolo.

### Uso sicuro

- Non guidare il monopattino quando la temperatura ambiente supera la temperatura di esercizio del prodotto (vedere *lespecifiche*), poiché le temperature basse/alte possono ridurre le prestazioni del veicolo e persino causare incidenti.
- Parcheggiare sempre con il cavalletto su una superficie piana e stabile. Una volta che il monopattino è sul suo cavalletto, controllarne la stabilità per evitare il rischio di caduta (da scivolamento, vento o leggera scossa). Non parcheggiare in una zona trafficata, bensì è preferibile appoggiarlo a un muro.

- Si consiglia di eseguire una regolare manutenzione del monopattino (vedere *Manutenzione*).
- Leggere il Manuale Utente prima di caricare la batteria (vedere *Come caricare l'unità*).

## ATTENZIONE

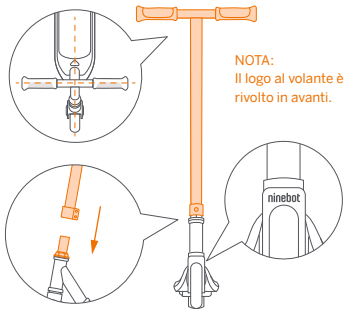
- Utilizzare solo il caricabatteria originale. Non caricare se la batteria è bagnata o danneggiata.
- Non permettere mai al proprio figlio, se minorenne, di toccare parti del veicolo con spazi vuoti come la parte posteriore, il paraurti, le ruote, ecc. Non toccare il freno o il motore a mozzo dopo la guida, per evitare ustioni dovute all'aumento della temperatura.

### 3. Assemblaggio e attivazione

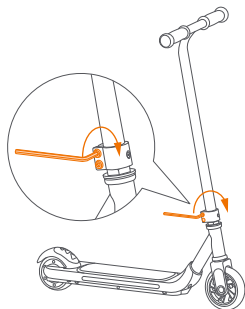
#### ⚠ ATTENZIONE

Verificare che il monopattino sia spento prima del montaggio.

- 1 Inserire lo stelo verso il basso e regolare la direzione del manubrio in modo che sia perpendicolare alla ruota anteriore.



- 2 Stringere le due viti sul morsetto per assicurarsi che sia installato saldamente.



#### NOTA:

La vite deve essere posizionata dietro.

#### Attivazione

Scansionare il codice QR per sapere come attivare il veicolo prima di mettersi alla guida, o in caso contrario la velocità del veicolo sarà limitata a 3,1 mph (5 km/h).

### 4. Imparare a guidare

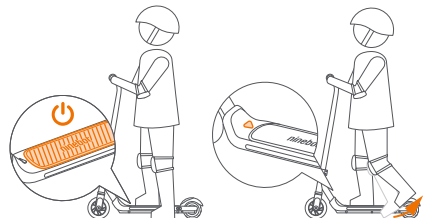
\* Se la spia l'illumina di rosso, caricare immediatamente.

#### ⚠ ATTENZIONE

Indossare sempre un casco e altri dispositivi di protezione per limitare ogni possibile lesione durante il processo di apprendimento. Per ridurre il rischio di lesioni, è richiesta la supervisione di un adulto.



- 1 Avvia: Posiziona un singolo piede sulla pedana per avviare il monopattino, quindi si udirà un segnale acustico come richiesto.
- 2 Guida: Tenere saldamente il manubrio con entrambe le mani e dare una spinta per l'avvio. Durante la navigazione, posizionare entrambi i piedi sulla pedana e mantenere l'equilibrio.



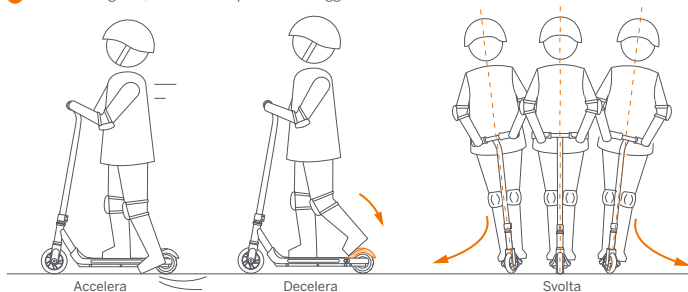
#### Interruttore modalità velocità

Nello stato di accensione, quando il monopattino è fermo, è possibile salire due volte sul parafrangente posteriore per cambiare la modalità di velocità.

#### Nota:

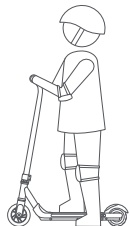
Per la sicurezza dell'utente, il motore a mozzo non si avvierà se la velocità è inferiore a 1,2 mph (2 km/h).

- 3 Accelerare e decelerare: Se si guida a una velocità inferiore a 7,5 mph (12 km/h), spingere di continuo con il piede per accelerare. Salire sul parafrangente posteriore per frenare.
- 4 Svolta: Per girare, muovere il corpo e ruotare leggermente il manubrio.



## ⚠ ATTENZIONE

Rimanere all'erta ed evitare accelerazioni o decelerazioni brusche. Altrimenti si rischiano lesioni gravi a causa di perdita dell'equilibrio, perdita di trazione e cadute. Non tentare acrobazie di alcun tipo. Entrambi gli pneumatici devono rimanere sempre a terra.



- 5 Scendi: Una volta terminata la guida con il monopattino, scendere con un piede alla volta. Prestare particolare attenzione quando si scende per la prima volta. Togliere entrambi i piedi dalla pedana e attendere 30 secondi fino a quando il monopattino non si spegnerà automaticamente.

## ⚠ ATTENZIONE

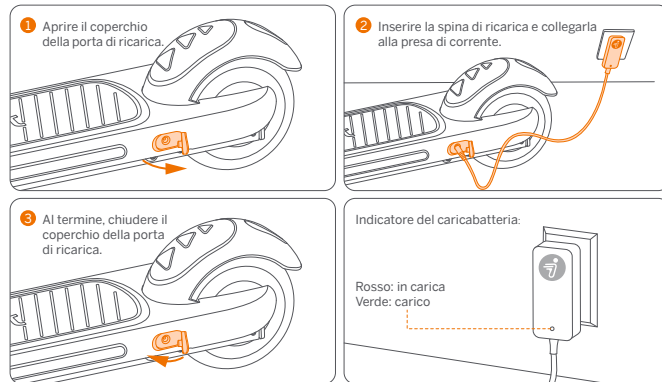
Rimanere calmi e non saltare dal monopattino.  
NON toccare il motore a mozzo per evitare scottature.

## 5. Come caricare l'unità

### PRUDENZA

Il caricabatteria non è un giocattolo. I bambini non dovrebbero essere autorizzati a toccare il dispositivo di ricarica, pertanto la persona adulta che li sorveglia è tenuto a gestire la ricarica. Prima e durante la ricarica, assicurarsi che il monopattino sia spento.

### Fasi di ricarica



## ⚠ ATTENZIONE

- Utilizzare solo il caricabatteria specificato dal produttore. Altri tipi possono esplodere e prendere fuoco.
- Non tentare di ricaricare il monopattino se il caricabatteria o la presa di corrente è bagnata.
- In caso di odore, rumore o display luminoso anomali, interrompere la ricarica immediatamente e contattare il servizio post-vendita.
- Tenere lontano da materiali infiammabili ed esplosivi durante la ricarica e posizionare il monopattino in un luogo fuori dalla portata dei bambini.
- Quando non si sta effettuando la carica, scollegare il caricabatteria dalla presa di corrente.

## 6. Specifiche

	Voce	Ninebot eKickScooter ZING A6
Peso e dimensioni	Peso netto	Ca. 10,1 libbre (4,6 kg)
	Lunghezza × larghezza × altezza	Ca. 25,6 × 12,6 × 33,5 pollici (650 × 320 × 850 mm)
Requisito del pilota	Max. carico utile	88 libbre (40 kg)
	Età consigliata	6+ anni
	Altezza consigliata	105–140 cm (3'5"–4'7")
Parametri del veicolo	Modalità velocità (velocità massima)	Velocità prima marcia: 5,0 mph (8 km/h), velocità seconda marcia: 6,2 mph (10 km/h), velocità terza marcia: 7,5 mph (12 km/h)
	Autonomia media <sup>[1]</sup>	Ca. 3,1 miglia (5 km)
	Terreno percorribile	Superficie piana, strada asfaltata; ostacoli < 0,4 pollici (1 cm); distanze < 0,4 pollici (1 cm)
	Temperatura di esercizio	14–104 °F (-10–40 °C)
	Temperatura di stoccaggio	-4–122 °F (-20–50 °C); consigliato 41–86 °F (5–30 °C)
	Grado di protezione IP	IPX4
	Tempo di ricarica	ca 3 h
Pacco batteria	Tipo di batteria	Batteria agli ioni di litio
	Tensione nominale	10,8 V ---
	Tensione massima	12,6 V ---
	Temperatura di ricarica	32–113 °F (0–45 °C); consigliato 50–95 °F (10–35 °C)
	Capacità nominale/Energia	2500 mAh/27 Wh
	Sistema di gestione della batteria	Surriscaldamento, cortocircuito, protezione sovracorrente e sovraccarico
Motore	Potenza nominale	50 W
	Max. alimentazione	80 W (0,08 kW)
	Tensione di ingresso	100-240V ~
Caricabatteria	Uscita nominale	11,6 V --- 1,0 A
	Potenza erogata	11,6 W (0,01 kW)
Altri	Metodo di frenata	Freno parafango posteriore
	Pneumatici	Ruota anteriore: perfusione in PU, ruota posteriore: solido in gomma
	Materiale telaio	Acciaio
	Valore di protezione da sovracorrente	7,5 A
	Materiale manubrio	TPR

[1] Autonomia media: testato durante la guida con batteria a piena carica, carico di 61 libbre (30 kg), 77 °F (25 °C), 60% di max. velocità media sul marciapiede.

\* Per la prima corsa, la modalità di velocità predefinita è la modalità di prima marcia. Quando il monopattino si spegne, l'impostazione della modalità di velocità verrà mantenuta fino alla successiva accensione.

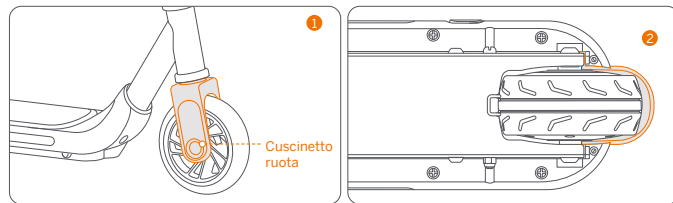
## 7. Manutenzione

La manutenzione deve essere eseguita regolarmente da un adulto.

### Pulizia

Utilizzare un panno morbido e umido per pulire la struttura principale. Le macchie difficili da rimuovere possono essere strofinate con uno spazzolino da denti e un dentifricio, quindi asciugate con un panno morbido e umido.

Per evitare inceppamenti alle ruote, ai cuscinetti delle ruote o ai freni, pulire e controllare queste zone (come mostrato di seguito nelle aree evidenziate in grigio) per individuare la presenza di sporco e altri oggetti estranei.



Per prima cosa pulire gli oggetti estranei, quindi pulire con un panno morbido umido. Lubrificare entrambi i lati del cuscinetto con olio lubrificante od olio per macchine. Se il problema persiste, contattare il servizio clienti.

**PRUDENZA:** Per evitare l'accumulo di corpi estranei, NON guidare su strade fangose, polverose, erbose o scivolose. Non pulire il monopattino con alcol, benzina, acetone o altri solventi corrosivi/volatili. Tali sostanze potrebbero danneggiare l'aspetto esterno e la struttura interna del monopattino. Prima di eseguire la pulizia, assicurarsi che il monopattino sia spento.

### ⚠ ATTENZIONE

- Non smaltire il presente prodotto in una discarica, mediante incenerimento o mescolandolo con i rifiuti domestici. A causa dei componenti elettrici possono verificarsi gravi pericoli/lesioni.
- Prima di pulire, accertarsi che il monopattino sia spento, che il cavo di alimentazione sia scollegato e che il cappuccio in gomma sulla porta di ricarica sia ben sigillato; in caso contrario potrebbero danneggiarsi i componenti elettrici.



## Stoccaggio

Prima di riparlo, eseguire un controllo per accertarsi che il monopattino sia spento e caricarlo completamente per evitare uno scaricamento eccessivo che causerà danni permanenti. Ricaricare il monopattino ogni 30 giorni per una conservazione a lungo termine. Riporre in un luogo fresco e asciutto al chiuso. L'esposizione alla luce del sole e a temperature estreme (sia calde sia fredde) accelererà il processo di invecchiamento dei componenti di plastica e potrebbe ridurre la durata della batteria. Se la temperatura dell'ambiente di stoccaggio è inferiore a 32 °F (0 °C), effettuare la ricarica solo dopo avere posizionato il monopattino in un ambiente caldo, preferibilmente oltre i 50 °F (10 °C).

## ⚠ ATTENZIONE

- L'esposizione prolungata ai raggi UV, alla pioggia e agli agenti atmosferici può danneggiare i materiali dell'involucro.
- Conservare al chiuso quando non in uso.
- Tenere lontano dal fuoco!

## Batteria

Una batteria con una manutenzione corretta può garantire molti chilometri di utilizzo. Ricaricare la batteria dopo ciascun utilizzo ed evitare di scaricarla completamente. Se utilizzata a temperatura ambiente 72 °F (22 °C), la batteria garantirà i livelli massimi di autonomia e prestazioni; Il sistema elettronico all'interno della batteria registra la condizione di ricarica/scarica della batteria; gli eventuali danni causati da uno scaricamento eccessivo non saranno coperti dalla Garanzia Limitata.

## ⚠ ATTENZIONE

- Per informazioni sulla batteria e sui rifiuti elettrici, contattare il servizio di smaltimento dei rifiuti domestici, l'ufficio locale o regionale per la gestione dei rifiuti o il punto vendita.
- La batteria non è sostituibile. Non tentare di sostituire o smontare la batteria. Non smontare o perforare il rivestimento. Tenere lontano da oggetti metallici per evitare cortocircuiti.
- Rischio di incendio e scosse elettriche. Nessun componente riparabile dall'utente.
- Non conservare o caricare la batteria a temperature al di fuori dei limiti indicati (vedere Specifiche).
- Non caricare mai in aree vietate ai sensi della legge.

## Caricabatteria

Esaminare regolarmente il caricabatteria per rilevare eventuali danni al cavo, alla spina, alla custodia e ad altre parti. In caso di danni, smettere di utilizzare il mezzo fino a quando non viene riparato o sostituito.

## ⚠ ATTENZIONE

Pericolo di scossa elettrica. Non smontare la custodia né toccare i contatti metallici. Ricaricare solo con batterie agli ioni di litio.

## Altri

- Prima di sollevare, spostare o trasportare in altro modo il monopattino, spegnerlo. Maneggiare con cura ed evitare azioni violente, come il lancio e la pressione pesante. Tenere lontano da fuoco e acqua.
- Gli pneumatici forniti con il prodotto devono essere montati sulla ruota da un riparatore professionista. La rimozione delle ruote/della batteria rappresenta un intervento complicato e il montaggio errato può determinare instabilità e malfunzionamenti.

In caso di incidente o guasto: Se il prodotto è ancora coperto da garanzia, rivolgersi a un riparatore autorizzato. In caso contrario, è possibile rivolgersi a qualsiasi riparatore specializzato di propria scelta. È possibile richiedere l'elenco dei riparatori autorizzati al servizio clienti disponibile su [www.segway.com](http://www.segway.com).

Sono stati compiuti notevoli sforzi per semplificare le istruzioni per gli utenti. Se un'operazione dovesse risultare troppo complicata per l'utente, si consiglia di contattare un riparatore autorizzato o specializzato oppure il servizio clienti.

## AVVISO: ASSICURAZIONE

LE POLIZZE ASSICURATIVE POTREBBERO NON FORNIRE COPERTURA PER GLI INFORTUNI CHE COMPORTANO L'USO DI MONOPATTINI. PER DETERMINARE SE LA COPERTURA È FORNITA, SI PREGA DI CONTATTARE LA PROPRIA COMPAGNIA DI ASSICURAZIONE O UN AGENTE DI RIFERIMENTO.

## 8. Certificazioni

Per il modello: ZING A6

La batteria è conforme alla norma UN/DOT 38.3.

### Dichiarazione di conformità dell'Unione europea

#### Importanti informazioni in materia di rifiuti di apparecchiature elettriche ed elettroniche (RAEE)



Informazioni di smaltimento e riciclo dei rifiuti di apparecchiature elettriche ed elettroniche per il corretto smaltimento di questo prodotto. Questo marchio indica che il prodotto non deve essere smaltito insieme agli altri rifiuti domestici nell'Unione Europea.

Per evitare possibili danni all'ambiente o alla salute umana derivanti dallo smaltimento incontrollato dei rifiuti, riciclare il prodotto responsabilmente per promuovere il riutilizzo sostenibile delle risorse materiali. Per restituire un dispositivo usato, utilizzare i sistemi di restituzione e raccolta oppure rivolgersi al rivenditore presso il quale è stato acquistato il prodotto. Possono prendere questo prodotto per il riciclaggio sicuro per l'ambiente.

#### Informazioni sul riciclaggio della batteria per l'Unione europea



Le batterie o gli imballaggi per le batterie sono etichettati in conformità con la Direttiva europea 2006/66/CE e la modifica 2013/56/UE relativa a batterie e accumulatori e ai rifiuti di pile e accumulatori. La Direttiva definisce il quadro per la resa e il riciclaggio di batterie e accumulatori usati, applicabile in tutta l'Unione europea. Questa etichetta è applicata a diverse batterie per indicare che la batteria non deve essere gettata, ma recuperata dopo la fine della vita in base a questa direttiva.

Conformemente alla Direttiva europea 2006/66/CE e la modifica 2013/56/UE, le batterie e gli accumulatori sono etichettati per indicare che devono essere raccolti separatamente e riciclati alla fine della vita. L'etichetta sulla batteria potrebbe anche includere un simbolo chimico per il metallo interessato nella batteria (Pb per piombo, Hg per mercurio e Cd per cadmio). Gli utenti di batterie e accumulatori non devono smaltire le batterie e gli accumulatori come rifiuti urbani non differenziati, ma utilizzare il quadro di raccolta disponibile per i clienti

per i resi, il riciclaggio e il trattamento delle batterie e degli accumulatori. La partecipazione del cliente è importante per ridurre al minimo gli effetti potenziali delle batterie e degli accumulatori sull'ambiente e sulla salute umana a causa della potenziale presenza di sostanze pericolose.

Prima di collocare apparecchiature elettriche ed elettroniche (EEE) nel flusso o negli impianti di raccolta dei rifiuti, l'utente finale di apparecchiature contenenti batterie e/o accumulatori deve rimuovere tali batterie e accumulatori per la raccolta separata.

#### Direttiva sulla restrizione di sostanze pericolose (RoHS)

Il presente prodotto Ninebot (Changzhou) Tech Co., Ltd., con le parti incluse (cavi e altro ancora) soddisfa i requisiti della Direttiva 2011/65/UE sulla restrizione dell'uso di determinate sostanze pericolose nelle apparecchiature elettriche ed elettroniche ("Direttiva di rifusione RoHS" o "RoHS 2.0").

#### Compatibilità elettromagnetica

Ninebot (Changzhou) Tech Co., Ltd. dichiara che le apparecchiature elencate nel presente paragrafo sono conformi ai requisiti essenziali e ad altre disposizioni pertinenti della Compatibilità elettromagnetica 2014/30/UE.



Segway-Ninebot EMEA

EU Representative: Dynamostraat 7, 1014 BN Amsterdam, The Netherlands

La dichiarazione di conformità può essere visualizzata al seguente indirizzo:

<http://eu-en.segway.com/support-instructions>

Con la presente, Ninebot (Changzhou) Tech Co., Ltd. dichiara che questo dispositivo è conforme ai requisiti essenziali e ad altre disposizioni pertinenti della Compatibilità elettromagnetica 2014/30/UE, della Direttiva sulla sicurezza dei giocattoli 2009/48/CE e della Direttiva RoHS 2011/65/UE.

## 9. Marchio e dichiarazione legale

Ninebot è un marchio registrato di Ninebot (Tianjin) Tech. Co., Ltd; Segway e Rider Design sono marchi registrati di Segway Inc.; i rispettivi proprietari si riservano i diritti dei loro marchi citati in questo manuale.

Abbiamo tentato di includere la descrizione e le istruzioni per tutte le funzioni del Ninebot eKickScooter al momento della stampa. Tuttavia, a causa del costante miglioramento delle caratteristiche del prodotto e dei cambiamenti di progettazione, il monopattino acquistato dall'utente potrebbe differire leggermente da quello descritto in questo documento. Visitare [www.segway.com](http://www.segway.com) per scaricare i materiali utente più recenti.

Si prega di notare che esistono diversi modelli Segway e Ninebot con diverse funzioni e alcune delle funzioni menzionate in questo documento potrebbero non essere applicabili all'unità. Il produttore si riserva il diritto di modificare la progettazione e la funzionalità del prodotto kick scooter e della documentazione senza preavviso.

©2021 Ninebot (Beijing) Tech Co., Ltd. Tutti i diritti riservati.

### Dichiarazione legale

**IMPORTANTE: Ninebot eKickScooter (il "prodotto") è un prodotto fuoristrada piuttosto che un mezzo di trasporto. Importante: l'utente accetta di leggere il manuale per intero e di comprenderne appieno il contenuto (in particolare le parti relative alla sicurezza di guida).**

1. Le "parti Segway" sopra menzionate e riportate di seguito corrispondono all'industria Segway-Ninebot EMEA ("Ninebot"). ("Segway") e alle loro società affiliate (incluse, a titolo esemplificativo ma non esaustivo, società madre, sussidiaria, affiliata, predecessore, società successiva, amministratori, successori, cessionari, funzionari, direttori, dirigenti, dipendenti, soci, azionisti e agenti, avvocati e assicuratori).
2. Questo prodotto può essere pericoloso per un utente nonché per altre persone o beni nelle immediate vicinanze. L'utente si assume tutti i rischi e le perdite connesse al prodotto (in particolare per quelli relativi e/o derivanti dalla violazione delle istruzioni di avvertenza e precauzione). Tali rischi includono, a titolo esemplificativo ma non esaustivo, perdita di controllo, guasto del prodotto e /o collisione.

Le conseguenze di un tale incidente possono essere gravi, inclusi, non in via limitativa, lesioni personali, decesso e/o danni alla proprietà. Le parti Segway non saranno responsabili per qualsiasi reclamo, responsabilità e perdita correlata a tali conseguenze se ciò è dovuto all'assunzione del rischio da parte dell'utente.

3. Il prodotto è un mezzo di intrattenimento e svago. L'utente potrebbe non avere l'esperienza e le capacità necessarie e sufficienti per guidarlo, specialmente in ambienti complessi e/o strade indesiderate. Tale rischio può aumentare se l'utente ha menomazioni o disabilità fisiche e/o mentali. Tale rischio può anche aumentare se l'utente non ha acquisito sufficiente familiarità con le funzioni, le caratteristiche e le prestazioni del prodotto. Pertanto, i nuovi utenti dovranno imparare come utilizzare questo prodotto in modo corretto e sicuro e poi fare pratica.
4. L'utente deve ispezionare e mantenere il prodotto regolarmente e a cadenza periodica, a seconda delle circostanze. L'utente deve inoltre condurre un esame e un'ispezione ragionevoli del prodotto ogni volta prima di utilizzarlo. Ad esempio, ogni volta prima di utilizzare il prodotto, l'utente è tenuto a controllare ed esaminare le prestazioni dello pneumatico, il livello della batteria e tutte le parti funzionali. In caso di anomalie, scolorimento o cambio di colore del materiale (specialmente in un'area sottoposta a forte sollecitazione quando il prodotto è in movimento o si trova nei punti di giunzione), graffi, crepe, elementi di fissaggio allentati e/o parti mancanti (come viti, bulloni e /o dadi), si evince chiaramente che il prodotto non è sicuro.
5. Poiché è impossibile prevedere e/o anticipare tutte le situazioni, le condizioni e/o le circostanze in cui un utente del prodotto può essere esposto a rischi e pericoli, il Manuale Utente non ha la pretesa di essere esaustivo su come guidare il prodotto in modo sicuro e/o evitare pericoli correlati allo stesso. Pertanto, in aggiunta, per attenersi alle istruzioni, l'utente è anche tenuto a guidare e/o utilizzare il prodotto con responsabilità, attenzione, precauzione e giudizio.
6. Gli utenti devono attenersi alle leggi o ai regolamenti locali sul prodotto nonché verificarle. Le leggi e i regolamenti possono discostarsi nelle diverse giurisdizioni. In aggiunta alle altre disposizioni, tali leggi e regolamenti possono includere quanto segue:
  - a. L'uso di un casco potrebbe essere richiesto a livello giuridico o secondo i regolamenti locali nella giurisdizione dell'utente.
  - b. L'utente ha la possibilità di ricevere ulteriori informazioni relative ai requisiti legali del prodotto dalla propria amministrazione locale.
7. Gli utenti dovranno controllare immediatamente se il prodotto e i suoi accessori sono in buone condizioni al momento in cui li riceve.

8. Tutte le parti e i componenti separati dei prodotti devono essere installati correttamente secondo il Manuale Utente. Un'installazione e/o un assemblaggio inappropriati possono aumentare in maniera significativa il rischio di perdita di controllo, guasto del prodotto, collisioni e cadute. Il prodotto può contenere componenti rimovibili e piccole parti. Tenerli fuori dalla portata dei bambini per evitare rischi di soffocamento.
9. Non smaltire il presente prodotto in una discarica, mediante incenerimento o mescolandolo con i rifiuti domestici.  
  
Potrebbero verificarsi gravi pericoli/lesioni a causa dei componenti elettrici e della batteria. Per informazioni sulla batteria e sui rifiuti elettrici, contattare il servizio di smaltimento dei rifiuti domestici, l'ufficio locale o regionale per la gestione dei rifiuti o il punto vendita. L'utente non deve utilizzare accessori non originali né smontare o modificare il prodotto senza autorizzazione. Per tutti i danneggiamenti, lesioni e danni alla proprietà derivanti da quel luogo, l'utente si assume la propria responsabilità e gli eventuali rischi.
10. Le Parti Segway si riservano si riserva il diritto di apportare modifiche al prodotto, rilasciare aggiornamenti del firmware e aggiornare il presente manuale in qualsiasi momento. Le Parti Segway potrebbero potrebbe apportare miglioramenti e modifiche a questo manuale utente resi necessari da errori tipografici, inesattezze delle informazioni correnti o modifiche ai programmi e/o alle apparecchiature in qualsiasi momento e senza preavviso. Tali modifiche verranno, tuttavia, incorporate nelle nuove edizioni di questo manuale utente. Tutte le illustrazioni servono solo a scopo illustrativo e potrebbero non rappresentare con esattezza il dispositivo reale. Prodotto e funzioni effettivi potrebbero variare. In base all'aggiornamento del prodotto, potrebbero esserci alcune differenze di colore, aspetto e altre caratteristiche tra il prodotto elencato in questo manuale e il prodotto acquistato. Fare riferimento al prodotto reale.
11. Questo documento è da considerarsi parte integrante del prodotto e deve essere fornito all'utente insieme allo stesso in ogni momento.

**Grazie ancora per aver scelto Ninebot eKickScooter!**

## 10. Contatto

Contattateci se si riscontrano problemi relativi alla guida, alla manutenzione e alla sicurezza o errori/guasti con il proprio

Ninebot eKickScooter.

Europa, Medio Oriente e Africa:

Segway-Ninebot EMEA, Dynamostraat 7, 1014 BN Amsterdam, Paesi Bassi

Sito internet: [www.segway.com](http://www.segway.com)

Tenere a portata di mano il proprio numero di serie Ninebot eKickScooter quando si contatta Segway.

È possibile trovare il proprio numero di serie sul lato inferiore del monopattino.



# Ninebot eKickScooter **ZING A6** Manual del Usuario



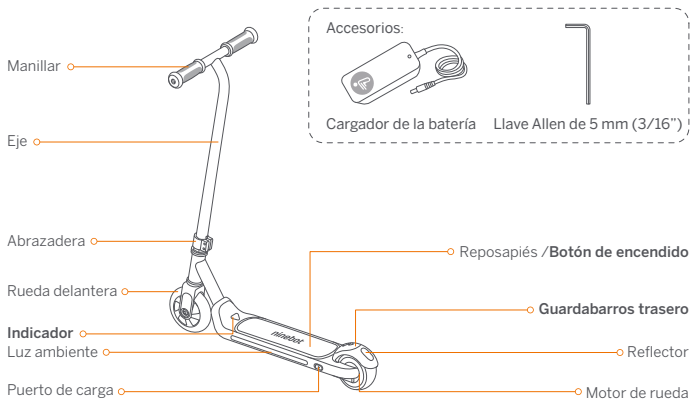
L'immagine serve solo a scopo illustrativo. Il prodotto effettivo può subire variazioni.

## ninebot®

Para reducir el riesgo de lesiones, se requiere la supervisión de un adulto. Antes de su primer viaje, por su seguridad, está establecido un límite de velocidad en el dispositivo. La velocidad inicial está limitada a 5 km/h (3,1 mph) con la luz indicadora de color rojo y un zumbador de advertencia. Asegúrese de escanear el código QR del patinete para poder activarlo por completo.

¡Gracias por elegir el Ninebot eKickScooter (denominado patinete en este manual)! El patinete está especialmente diseñado para una conducción suave y segura. Combina la potencia de la electricidad y el estilo de un patinete tradicional. Disfrute de una experiencia de desplazamiento sin esfuerzo con este genial patinete.

## 1. Partes y funciones



### Botón de encendido:

Coloque un pie en el reposapiés para iniciar el patinete, entonces oír un pitido de aviso. Quite ambos pies del reposapiés durante 30 segundos y el patinete se apagará automáticamente.

### Guardabarros trasero:

- **Cambiar modo de velocidad:** En el estado de encendido, cuando el patinete esté quieto, pise el guardabarros trasero dos veces para cambiar el modo de velocidad.
- **Freno:** Al conducir, pise el guardabarros trasero para frenar.

### Indicador

El color del indicador muestra el nivel de la batería:

Nivel de batería	≥ 10%	< 10%	Alerta no activada o anormal
Color del indicador	blanco	rojo	rojo

**Nota:** Cuando el nivel de la batería esté por debajo del 10%, el indicador dejará de parpadear.

La forma intermitente del indicador muestra un modo de velocidad diferente.

Modo de velocidad	Velocidad de primera marcha	Velocidad de segunda marcha	Velocidad de tercera marcha
Velocidad máxima	8 km/h (5,0 mph)	10 km/h (6,2 mph)	12 km/h (7,5 mph)
Indicador	fija, con 1 pitido	parpadeo lento, con 2 pitidos	parpadeo rápido, con 3 pitidos

### Indicación

Estado	Indicación
No activado	3 pitidos cortos (continuamente)
Temperatura de la batería demasiado alta	2 pitidos cortos y 1 pitido largo (continuamente)
Temperatura de la batería demasiado baja	2 pitidos cortos y 2 pitidos largos (continuamente)
Velocidad > 12 km/h (7,5 mph)	2 pitidos largos (continuamente)
Nivel de la batería: < 10%	2 pitidos cortos
Saque y enchufe el cargador	1 pitido corto
Encendido	1 pitido corto
Apagado	1 pitido largo

## 2. Seguridad de uso

- 1 El producto es sólo para recreación. No está destinado al transporte. No modifique el patinete de ninguna manera para cambiar el propósito para el que ha sido diseñado. Con el fin de dominar las habilidades de conducción, el conductor necesita practicar. Úselo con precaución ya que se requiere habilidad para evitar caídas o colisiones que causen lesiones al usuario o a terceros.
- 2 El Grupo Segway no se hace responsable de las lesiones, daños o disputas legales causados por la inexperiencia de un conductor o por no seguir las instrucciones de este manual.
- 3 Recuerde que, cada vez que conduce el patinete, se arriesga a sufrir lesiones por pérdida de control, colisiones y caídas. Para reducir el riesgo, debe leer y seguir todos los avisos de "PRECAUCIÓN" y "⚠️ ADVERTENCIA". Tenga en cuenta que puede reducir el riesgo al seguir las instrucciones y advertencias en este manual, pero no puede eliminar todos los riesgos. Por favor, utilice el sentido común al conducir el patinete.
- 4 El montaje y ajuste SOLO lo deben realizar los adultos. El patinete contiene piezas pequeñas que pueden provocar el ahogamiento. Para evitar la asfixia, no permita que los niños toquen la cubierta de plástico. Los niños siempre deben estar bajo la supervisión de sus padres.
- 5 NO permita que nadie conduzca el patinete por su cuenta a menos que él/ella y los adultos supervisores hayan leído cuidadosamente este manual. Es responsabilidad del adulto supervisor garantizar la seguridad del nuevo conductor. Asista a los nuevos conductores hasta que estén familiarizados con el funcionamiento básico del patinete. El conductor debe utilizar casco y demás equipo de protección. Cuando entregue el producto a otras personas, incluya también su manual del usuario.

### ⚠️ ADVERTENCIA

Debe usar equipo de protección. No debe utilizarse en vías con tráfico. No conduzca nunca unido a otro vehículo. NO conduzca bajo la lluvia o donde haya charcos. No apto para niños con una masa corporal superior a 40 kg.

### Superficies y entorno de conducción:

- Este patinete está diseñado para su uso en superficies pavimentadas planas y secas. Conduzca el patinete en un espacio al aire libre. Asegúrese de que no haya niños, peatones, mascotas, monopatines, bicicletas, patinetes, otros ciclistas u obstáculos potenciales en sus alrededores.

- Nunca lo utilice en carreteras, cerca de vehículos de motor, cerca de pendientes o escalones, piscinas u otras masas de agua. Evite los sitios de construcción, cambios repentinos en la superficie, rejillas de drenaje, baches, grietas, bocas de riego, coches estacionados, baches de velocidad y otros obstáculos. No conduzca el patinete en terrenos sueltos (como rocas, grava o arena).
- No conduzca el patinete en condiciones de temperatura extrema o en baja visibilidad, como al amanecer/anoche o por la noche. No conduzca el patinete cuando haya nieve o bajo la lluvia. La inmersión en el agua puede causar daños a la batería, hacer que se incendie o incluso que explote.

### ⚠️ ADVERTENCIA

Si el patinete emite un sonido anormal o indica una alarma, deje de conducir inmediatamente. Cuando conduzca, mantenga las manos en el manillar EN TODO MOMENTO y NO conduzca solo con una mano o un pie.

### Antes de conducir

Para evitar lesiones accidentales, el tutor del conductor debe tener en cuenta los problemas de espacio y verificar los siguientes aspectos antes de cada viaje:

- Estado de la carrocería y los neumáticos, etc. Asegúrese de que ninguna pieza, incluido el manillar, el eje, el guardabarros trasero y los tornillos, no estén sueltos ni dañados.
- Potencia de la batería: Cuando la luz indicadora se pone roja, significa que el patinete no tiene suficiente potencia para mantener una conducción normal. Cargue a tiempo para evitar posibles peligros.

### Al conducir el patinete:

- ¡SOLO un conductor!
- Utilice siempre casco y otro equipo de protección (como coderas y rodilleras) cuando conduzca el patinete. Utilice un casco homologado para bicicleta o monopatín que ajuste correctamente con la correa atada bajo la barbilla y que proteja la parte posterior de la cabeza.
- NO eluda. Reduzca la velocidad al entrar en áreas desconocidas. Tenga cuidado al desplazarse por zonas con árboles, postes o vallas. Reduzca siempre la velocidad en las curvas.
- ¡Esté alerta! Explore tanto a lo lejos como al frente de su Ninebot eKickScooter: Sus ojos son su mejor herramienta para evitar obstáculos y superficies con poca tracción (como suelo mojado, arena suelta, grava suelta y hielo, entre otros).

- Evite las aceleraciones y desaceleraciones repentinas. Nunca viaje más rápido que la velocidad máxima programada (la velocidad máxima puede verse afectada por el peso del piloto, el nivel de la batería, la inclinación, etc.). Al igual que sucede con otros vehículos, una velocidad mayor requiere una distancia de frenado mayor. El frenado repentino en superficies con poca tracción podría provocar el derrape de las ruedas o caídas. Tenga cuidado y mantenga siempre una distancia segura entre usted y otros al conducir el patinete.
- Mantenga ambas manos en el manillar y no lleve carga de ningún tipo. NO use teléfono móvil, cámara ni auriculares, ni realice ninguna otra actividad mientras conduce. NO conduzca cuesta abajo.
- No toque las ruedas cuando estén en movimiento o girando. Evite que su cabello, ropa o artículos similares entren en contacto con el piezas móviles.
- Bájese del patinete y camine con él cuando existan superficies especiales en la carretera, como badenes y baches.

### Quién no debería llevarlo:

- I. Cualquiera bajo la influencia de alcohol, drogas o estupefacientes.
- II. Cualquier persona que sufra enfermedades (especialmente en la cabeza, el corazón, la espalda y el cuello) que supongan riesgo si realiza una actividad física extenuante.
- III. Cualquier persona que tenga un estado de salud que interfiera con su capacidad para mantener el equilibrio.
- IV. Personas con edad, altura o peso fuera de los límites indicados (consulte *Especificaciones*).
- V. Aquellos con capacidades mentales limitadas que no puedan comprender bien los riesgos y el funcionamiento adecuado del vehículo.

### Uso seguro:

- No conduzca el patinete cuando la temperatura ambiente esté fuera del rango de temperatura de funcionamiento de la máquina (consulte *Especificaciones*), debido a que una temperatura alta/baja limitará la potencia o incluso provocar accidentes.
- Aparque siempre con la pata de apoyo sobre una superficie plana y estable. Una vez que el patinete esté en su soporte, compruebe su estabilidad para evitar riesgo de caída (por resbalón, viento o ligera sacudida). No estacione en una zona concurrida, mejor en una pared.

- Se recomienda llevar a cabo un mantenimiento regular del patinete (consulte *Mantenimiento*).
- Por favor, lea el manual del usuario antes de cargar la batería (consulte *Cómo cargar*).

## ADVERTENCIA

- Utilice únicamente el cargador original. No cargue cuando la batería esté mojada o dañada.
- Nunca permita que su hijo toque las partes del vehículo con huecos como el guardabarros trasero, las ruedas, etc. No toque el freno o el motor de rueda después de conducir el patinete, para evitar quemaduras debido al aumento de la temperatura.

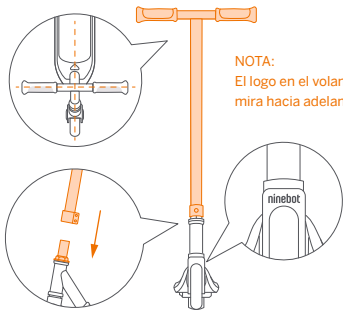


### 3. Montaje y Activación

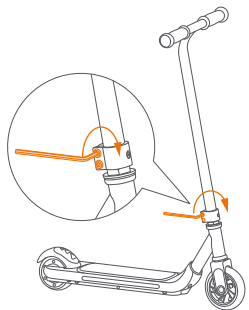
#### ⚠ ADVERTENCIA

Por favor, asegúrese de que el patinete esté apagado antes del montaje.

- 1 Inserte el eje hasta el fondo y ajuste la dirección del manillar para que sea perpendicular a la rueda delantera.



- 2 Apriete los dos tornillos de la abrazadera para asegurarse de que esté bien instalada.



**Nota:**  
El tornillo debe colocarse detrás.

#### Activación

Escanee el código QR antes de conducir para saber activar el vehículo; de lo contrario, la velocidad del vehículo se limitará a 5 km/h (3,1 mph).

### 4. Aprender a conducir \* Cuando la luz indicadora se ponga roja, cárguela inmediatamente.

#### ⚠ ADVERTENCIA

Utilice siempre casco y otro equipo de protección para minimizar cualquier posible lesión durante el aprendizaje. Para reducir el riesgo de lesiones se requiere la supervisión de un adulto.



- 1 Puesta en marcha: Coloque un pie en el reposapiés para iniciar el patinete, entonces oirá un pitido como aviso.
- 2 Crucero: Sostenga firmemente el manillar con ambas manos y pise para arrancar. Durante el crucero, coloque ambos pies en el reposapiés y mantenga el equilibrio.



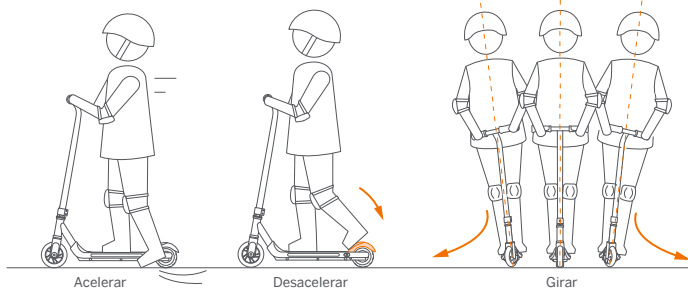
#### Cambiar modo de velocidad

En el estado de encendido, cuando el patinete está quieto, puede pisar el guardabarros trasero dos veces para cambiar el modo de velocidad.

#### Nota:

Por su seguridad, el motor de rueda no arrancará si la velocidad es inferior a 2 km/h (1,2 mph).

- 3 Acelerar y desacelerar A 12 km/h (7,5 mph), pise continuamente para acelerar. Pise el guardabarros trasero para frenar.
- 4 Girar: Para girar, mueva el cuerpo y gire ligeramente el manillar.



## ⚠ ADVERTENCIA

Manténgase alerta y evite una aceleración o desaceleración repentina. De lo contrario, corre el riesgo de lesiones graves debido al desequilibrio, la pérdida de tracción y las caídas. No haga acrobacias de ningún tipo. Ambos neumáticos deben permanecer en el suelo en todo momento.



- 5 Bajarse: Cuando el patinete haya dejado de avanzar, baje un pie cada vez. Tenga mucho cuidado cuando lo desmonte por primera vez. Quite ambos pies del reposapiés durante 30 segundos y el patinete se apagará automáticamente.

## ⚠ ADVERTENCIA

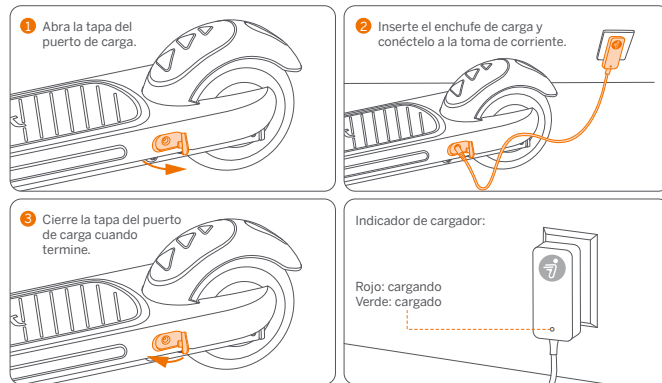
Mantenga la calma y no salte del patinete.  
NO toque el motor de rueda para evitar quemaduras.

## 5. Cómo cargarlo

### PRECAUCIÓN

El cargador no es un juguete. No se debe permitir que los niños toquen el dispositivo de carga. Un adulto supervisor deberá ocuparse de la carga. Antes y durante la carga, asegúrese de que el patinete esté apagado.

### Pasos de la carga



## ⚠ ADVERTENCIA

- Utilice exclusivamente el cargador especificado por el fabricante. Otros tipos pueden explotar y prenderse fuego.
- No intente cargar el patinete si el cargador o la toma de corriente están húmedos.
- Cuando haya olor, sonido o luz anormales, deje de cargar inmediatamente y póngase en contacto con el servicio posventa.
- Manténgase alejado de materiales inflamables y explosivos durante la carga, y coloque el patinete en un lugar fuera del alcance de los niños.
- Cuando no cargue, desconecte el cargador de la toma de corriente.

## 6. Especificaciones

	Artículo	Ninebot eKickScooter ZING A6
Peso y tamaño	Peso neto	Aprox. 4,6 kg (10,1 libras)
	Largo x ancho x alto	Aprox. 650 × 320 × 850 mm (25,6 × 12,6 × 33,5 pulgadas)
Requisitos del conductor	Máxima carga útil	40 kg (88 libras)
	Edad recomendada	6+ años
	Altura recomendada	105–140 cm (3'5"-4'7")
Parámetros del vehículo	Modo de velocidad (Máx. velocidad)	Velocidad de primera marcha: 8 km/h (5,0 mph), velocidad de segunda marcha: 10 km/h (6,2 mph), velocidad de tercera marcha: 12 km/h (7,5 mph)
	Rango típico <sup>[1]</sup>	Aprox. 5 km (3,1 millas)
	Terreno transitable	Superficie plana, carretera pavimentada; obstáculos < 1 cm (0,4 pulgadas); huecos < 1 cm (0,4 pulgadas)
	Temperatura de funcionamiento	-10–40 °C (14–104 °F)
	Temperatura de almacenamiento	-20–50 °C (-4–122 °F); 5–30 °C (41–86 °F) recomendado
	Clasificación IP	IPX4
	Tiempo de carga	Aprox. 3 h
Compartimento de las baterías	Tipo de batería	Batería de iones de litio
	Voltaje nominal	10,8 V
	Voltaje máximo	12,6 V
	Temperatura de carga	0–45 °C (32–113 °F); 10–35 °C (50–95 °F) recomendado
	Capacidad/Energía nominal	2500 mAh/27 Wh
	Sistema de gestión de la batería	Protección contra sobrecalentamiento, cortocircuito, sobrecorriente y sobrecarga
Motor	Corriente nominal	50 W
	Potencia máx.	80 W (0,08 kW)
Cargador de la batería	Voltaje de entrada	100–240V~
	Salida nominal	11,6 V, 1,0 A
	Corriente de salida	11,6 W (0,01 kW)
Otros	Método de frenado	Freno de guardabarros trasero
	Neumáticos	Rueda delantera: Perforación de PU, Rueda trasera: Goma maciza
	Material del chasis	Acero
	Valor de protección contra sobrecorriente	7,5 A
	Material del manillar	TPR

[1] Rango típico: comprobado mientras se conduce con batería completamente cargada, 30 kg (61 libras) de carga, 25 °C (77 °F), 60% de máx. velocidad promedio en calzada.

\* Para el primer viaje, el modo de velocidad predeterminado es el modo de primera marcha. Cuando el patinete se apaga, la configuración del modo de velocidad se mantendrá hasta la próxima vez que lo encienda.

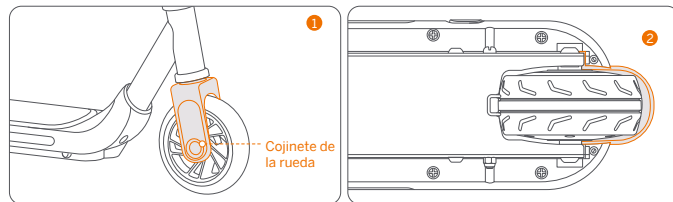
## 7. Mantenimiento

El mantenimiento debe ser llevado a cabo regularmente por un adulto.

### Limpieza

Use un trapo suave y húmedo para limpiar. La suciedad difícil de quitar puede tallarse con un cepillo y pasta de dientes, para luego limpiar con una tela suave y húmeda.

Para evitar que se atasquen las ruedas, los cojinetes de las ruedas o los frenos, limpie y revise estas áreas (como se muestra en las áreas resaltadas en gris a continuación) en busca de suciedad y otros objetos extraños.



Primero quite los objetos extraños y luego limpie con un paño suave húmedo. Lubrique ambos lados del rodamiento con aceite lubricante o aceite de máquinas. Si el problema persiste, póngase en contacto con el servicio de atención al cliente. **CUIDADO:** Para evitar la acumulación de objetos extraños, NO conduzca por carreteras embarradas, polvorientas, con hierba o resbaladizas. No lave su patinete con alcohol, gasolina, acetona u otros disolventes corrosivos o volátiles. Estas sustancias pueden dañar la apariencia y estructura interna de su patinete. No lave el patinete con una hidrolimpiadora o manguera.

### ⚠ ADVERTENCIA

- No tire este producto a un vertedero, ni lo incinere ni lo mezcle con basura doméstica. Pueden provocarse daños/lesiones graves debido a los componentes eléctricos.
- Antes de limpiarlo, asegúrese de que el patinete esté apagado, el cable de carga desconectado y la tapa de goma en el puerto de carga sellada herméticamente; de lo contrario usted se expone a una descarga eléctrica o podrán dañarse los componentes electrónicos.

## Almacenamiento

Antes del almacenamiento, asegúrese de que el patinete esté apagado y cárguelo por completo para evitar una descarga excesiva, lo que le provocaría daños permanentes. Cargue el patinete cada 30 días para un almacenamiento prolongado. Guárdelo en un lugar fresco y seco en el interior. La exposición a la luz del sol y las temperaturas extremas (tanto de frío como de calor) acelerarán el proceso de desgaste de los componentes del vehículo y tal vez puedan reducir la vida de la batería. Si la temperatura ambiente de almacenamiento es inferior a 0 °C (32 °F), no lo cargue hasta después de colocarlo en un ambiente más cálido: preferiblemente más de 10 °C (50 °F).

## ⚠️ ADVERTENCIA

- La exposición prolongada a los rayos UV, a la lluvia y a los elementos pueden dañar los materiales exteriores directamente expuestos.
- Almacenar en interiores cuando no esté en uso.
- Manténgase alejado del fuego.

## Batería

Una batería con buen mantenimiento puede tener un excelente rendimiento, incluso después de recorrer muchos kilómetros. Cargue la batería después de cada recorrido y evite agotarla por completo. Cuando está a 72 °F (22 °C), el rendimiento de la batería es óptimo y el vehículo puede alcanzar una autonomía más larga. La electrónica dentro de la batería registra la condición de carga-descarga de la batería; los daños causados por una descarga excesiva o insuficiente no estarán cubiertos por la garantía limitada.

## ⚠️ ADVERTENCIA

- Para obtener información acerca de residuos eléctricos y baterías, comuníquese con el servicio de eliminación de desechos domésticos, la oficina de gestión de desechos local o regional o en su punto de venta.
- La batería no es reemplazable. No intente reemplazar ni desmontar la batería. No desmonte ni perfore la carcasa. Manténgase alejado de objetos metálicos para evitar cortocircuitos.
- Riesgo de incendio y descarga eléctrica. No existen partes que pueda reparar el usuario.
- No almacene ni cargue la batería a temperaturas fuera de los límites indicados (consulte las Especificaciones).
- Nunca cargue en áreas prohibidas por la ley.

## Cargador de la batería

Examine regularmente el cargador en busca de daños en el cable, el enchufe, la carcasa y otras piezas. Si encuentra algún daño, deje de usarlo hasta que esté reparado o cambiado.

## ⚠️ ADVERTENCIA

Riesgo de descarga eléctrica. No desmonte la carcasa ni toque los contactos metálicos. ¡Cargue baterías de iones de litio SOLAMENTE!

## Otros

- Antes de levantar, mover o transportar el patinete, apáguelo. Manipule con cuidado y evite la fuerza bruta, como lanzamientos y sobrepresión. Mantener alejado del fuego y del agua.
- Un reparador profesional será el encargado de montar en la rueda los neumáticos de repuesto que se suministran con el producto. Quitar las ruedas es complicado. Un montaje incorrecto puede provocar inestabilidad y un mal funcionamiento.

En caso de accidente o avería: Póngase en contacto con un reparador autorizado en caso de que el producto siga cubierto por la garantía. Si no lo está, puede ponerse en contacto con cualquier reparador especializado de su elección. Puede solicitar la lista de los reparadores autorizados al servicio de atención al cliente disponible en [www.segway.com](http://www.segway.com).

Se han hecho esfuerzos para simplificar la redacción del manual del usuario para los usuarios. Cuando una acción parezca demasiado complicada para el usuario, se le aconseja que se ponga en contacto con un mecánico autorizado o especializado o con el servicio de atención al cliente.

## AVISO: SEGURO

SUS LICENCIAS DE SEGURO PUEDEN NO PROPORCIONAR COBERTURA PARA ACCIDENTES QUE INVOLUCIONAN EL USO DE ESTE PATINETE. PARA DETERMINAR SI TIENE COBERTURA, COMUNÍQUESE CON SU COMPAÑÍA O AGENTE DE SEGUROS.

## 8. Certificaciones

Para el modelo: ZING A6

La batería es conforme con UN/DOT 38.3.

### Declaración de conformidad de la Unión Europea

#### Información importante sobre RAEE



Información sobre la eliminación y reciclaje de RAEE. Eliminación correcta de este producto. Esta marca indica que este producto no debe eliminarse con otros residuos domésticos en toda la UE.

Para evitar posibles daños al medio ambiente o a la salud humana causados por la eliminación descontrolada de residuos, debe reciclarlo de manera responsable a fin de promover la reutilización sostenible de recursos materiales. Cuando devuelva su dispositivo usado, utilice los sistemas adecuados de recolección y devolución o póngase en contacto con el minorista donde se compró el producto. Pueden eliminar este producto adoptando un sistema de reciclaje seguro para el medio ambiente.

#### Información sobre el reciclaje de pilas y baterías en la Unión Europea



Las pilas o el empaquetado de las pilas y baterías van etiquetados cumpliendo la Directiva Europea 2006/66/CE y la enmienda 2013/56/UE, referente a pilas y acumuladores y a los residuos de pilas y acumuladores. La Directiva establece el marco para la devolución y reciclaje de las pilas y acumuladores usados, en vigor en toda la Unión Europea. Esta etiqueta se aplica a los distintos tipos de pilas y baterías para indicar que no deben desecharse, sino reciclarse al final de su vida útil, según esta Directiva.

De acuerdo con la Directiva Europea 2006/66/CE y la enmienda 2013/56/UE, las baterías y acumuladores van etiquetados indicando que deben recogerse por separado de otros residuos y reciclarse al final de su vida útil. La etiqueta de la batería también puede incluir un símbolo químico correspondiente al metal empleado en la batería (Pb para plomo, Hg para mercurio y Cd para cadmio). Los usuarios de pilas y

acumuladores no deben desechar dichas pilas y acumuladores como si fueran residuos municipales no clasificados, sino que deberán usar el sistema de recogida adecuado para los clientes para la devolución, reciclaje y tratamiento de las pilas y acumuladores. La participación de los clientes es importante para minimizar los posibles efectos de las pilas y acumuladores sobre el medio ambiente y la salud humana derivados de la posible presencia de sustancias peligrosas.

Antes de tirar cualquier equipo eléctrico o electrónico (EEE) a la basura, el usuario final del equipo que lleve pilas y/o acumuladores debe separar las pilas de los acumuladores para reciclarlos por separado.

#### Directiva de Restricción de Sustancias Peligrosas (RoHS)

Este producto de Ninebot (Changzhou) Tech Co., SL. así como sus componentes (cables, cuerdas y similares) cumplen la Directiva 2011/65/UE sobre Restricciones a la Utilización de Determinadas Sustancias Peligrosas en Aparatos Eléctricos y Electrónicos (Refundición "RoHS" o "RoHS 2.0").

#### Compatibilidad electromagnética

Ninebot (Changzhou) Tech Co., Ltd. declara que los equipos enumerados en esta sección cumplen los requisitos esenciales y otras disposiciones relevantes de la Compatibilidad electromagnética 2014/30/UE.



Segway-Ninebot EMEA

EU Representative: Dynamostraat 7, 1014 BN Amsterdam, The Netherlands

La declaración de conformidad puede visualizarse en la siguiente dirección:  
<http://eu-en.segway.com/support-instructions>

Ninebot (Changzhou) Tech Co., Ltd. declara que este dispositivo cumple los requisitos esenciales y otras disposiciones relevantes de la Ley de Compatibilidad Electromagnética 2014/30/UE, la Directiva de Seguridad de los Juguetes 2009/48/CE y la Directiva RoHS 2011/65/UE.

## 9. Marca registrada y declaración legal

Ninebot es la marca registrada de Ninebot (Tianjin) Tech. Co., Ltd; Segway y Rider Design son marcas comerciales registradas de Segway Inc.; Los respectivos propietarios se reservan los derechos de sus marcas comerciales citadas en este manual.

Hemos tratado de incluir la descripción e instrucciones para todas las funciones de Ninebot eKickScooter al cierre de la publicación. Sin embargo, debido a la mejora constante de las características del producto y a los cambios en el diseño, es posible que su Ninebot eKickScooter presente ligeras diferencias respecto al que se muestra en este documento. Visite [www.segway.com](http://www.segway.com) para descargar los materiales de usuario más recientes.

Tenga en cuenta que existen numerosos modelos de Segway y Ninebot con diferentes funciones y algunas de las funciones mencionadas podrían no corresponder a su unidad. El fabricante se reserva el derecho a modificar el diseño y las funciones del producto patinete y la documentación sin previo aviso.

©2021 Ninebot (Beijing) Tech Co., Ltd. Todos los derechos reservados.

### Aviso legal

**IMPORTANTE: Ninebot eKickScooter (el "producto") es un producto todoterreno más que un medio de transporte. Tenga en cuenta que el usuario debe aceptar que ha leído todo el manual del usuario y comprendido completamente su contenido (especialmente las partes relacionadas con la conducción segura).**

1. El "Grupo Segway" mencionado anteriormente y a continuación se refiere al fabricante ("Ninebot") Segway-Ninebot EMEA. ("Segway") y sus afiliadas (incluidas, entre otras, su empresa matriz, subsidiaria, empresas afiliadas, predecesor, empresa subsiguiente, administradores, sucesores, cesionarios, responsables, directores, gerentes, empleados, miembros, accionistas y agentes, abogados, aseguradoras).
2. Este producto puede ser peligroso para el usuario, otras personas y las propiedades que se encuentren cerca de él. El usuario asumirá todos los riesgos y pérdidas relacionados con el producto (especialmente los relacionados y/o derivados del incumplimiento de las instrucciones sobre advertencias y avisos de precaución). Dichos riesgos incluyen, entre otros, pérdida de control, fallo del producto y/o colisión.

Las consecuencias de tal incidente pueden ser graves, incluyendo, entre otras cosas, lesiones, lesiones corporales, muerte y/o daños a la propiedad. El grupo Segway no se hace responsable de ninguna reclamación, responsabilidad o pérdida relacionada con tales consecuencias si se deben a que el usuario ha aceptado asumir ese riesgo.

3. El producto es un aparato de entretenimiento y para juego. Es posible que el usuario no tenga la experiencia y las habilidades necesarias y suficientes para conducirlo, especialmente en entornos complejos y/o calles difíciles. El riesgo puede aumentar si el usuario tiene un impedimento o discapacidad física y/o mental. Este riesgo también puede aumentar si el usuario no está suficientemente familiarizado con las funciones, características y rendimiento del producto. Por lo tanto, los nuevos usuarios deben aprender y practicar cómo usar este producto de manera adecuada y segura.
4. El usuario deberá inspeccionar y mantener el producto en buenas condiciones de forma regular y periódica, según lo requieran las circunstancias. Los tutores del usuario también deberán realizar un examen e inspección adecuados del producto cada vez que lo utilicen. Por ejemplo, cada vez que utilice el producto, el usuario debe comprobar y examinar el estado de los neumáticos, el nivel de la batería y todas las piezas funcionales. Si se percibe alguna anomalía, decoloración o cambio de color en el material (especialmente en un área que reciba mucha tensión cuando el producto está en movimiento o en un cruce), rayones, grietas, abrazaderas sueltas y/o piezas que faltan (como tornillos, pernos y/o tuercas), eso indica claramente que no es seguro llevar el producto.
5. Dado que es imposible predecir y/o anticipar todos y cada uno de los escenarios, condiciones y/o circunstancias bajo las cuales el usuario puede estar expuesto a riesgos y peligros, el manual del usuario no pretende ser una lista exhaustiva sobre cómo conducir el vehículo, producto de forma segura y/o evitar peligros relacionados con el producto. Por lo tanto, para cumplir las instrucciones, el usuario también debe conducir y/o usar el producto con responsabilidad, cuidado, precaución y sentido común.
6. Los usuarios deben verificar y cumplir las leyes o reglamentos locales sobre el producto. Las leyes y reglamentos pueden ser diferentes en diferentes jurisdicciones. Además de otras disposiciones, dichas leyes y reglamentos deben incluir:
  - a. Es posible que las leyes o reglamentos locales de su localidad le exijan llevar casco.
  - b. Puede obtener más información sobre las exigencias legales del producto en su administración local.
7. Cuando reciban el producto los usuarios deberán comprobar inmediatamente si el producto y sus accesorios están en buenas condiciones.

8. Todos los componentes y piezas independientes de los productos deben instalarse correctamente según el manual del usuario. Una instalación y/o el montaje inadecuados pueden aumentar significativamente el riesgo de pérdida de control, averías del producto, colisiones y caídas. El producto puede contener componentes extraíbles y piezas pequeñas. Manténgalo fuera del alcance de los niños para evitar riesgo de asfixia.
9. No tire este producto a un vertedero, ni lo queme ni lo mezcle con basura doméstica.
- Pueden producirse graves peligros / lesiones debido a los componentes eléctricos y a la batería. Para obtener información acerca de residuos eléctricos y baterías, póngase en contacto con el servicio de eliminación de desechos domésticos, la oficina de gestión de desechos local o regional o con su punto de venta. No debe utilizar accesorios no originales y nunca desmonte ni modifique el producto sin autorización. Todas las lesiones y daños a la propiedad que surjan de ese uso serán de su exclusiva responsabilidad y riesgo.
10. El Grupo Segway se reserva el derecho de realizar cambios en el producto en cualquier momento, publicar actualizaciones de sus componentes y actualización de este manual. El Grupo Segway puede realizar en este Manual del Usuario las mejoras y cambios que se consideren necesarios por errores tipográficos, inexactitudes de la información actual o mejoras en los programas y/o equipos en cualquier momento y sin previo aviso. Sin embargo, dichos cambios se incorporarán en nuevas ediciones de este Manual del Usuario. Todas las ilustraciones se incluyen únicamente con fines ilustrativos y pueden no representar con precisión el dispositivo real. El producto y las funciones reales pueden variar. Debido a la actualización del producto, puede haber algunas diferencias en el color, la apariencia y otros aspectos del producto incluidos en este manual y el producto que realmente se compra. Observe el producto real.
11. Este documento debe considerarse parte inseparable del producto y debe ser entregado al usuario para que lo conserve junto con el producto en todo momento.

**Gracias nuevamente por elegir Ninebot eKickScooter.**

## 10. Contacto

Contacte con nosotros si tiene problemas relacionados con el uso, mantenimiento y seguridad, o con errores/averías de su

Ninebot eKickScooter.

Europa, Medio Oriente y África:

Segway-Ninebot EMEA, Dynamostraat 7, 1014 BN Amsterdam, Países Bajos

Website: [www.segway.com](http://www.segway.com)

Tenga a mano el número de serie de su Ninebot eKickScooter cuando se ponga en contacto con Segway.

Puede encontrar el número de serie en la parte inferior de su Ninebot eKickScooter.



# Ninebot eKickScooter **ZING A6**

## Instrukcja obsługi



La imagen es solo para fines ilustrativos. El producto actual puede variar.

# ninebot®

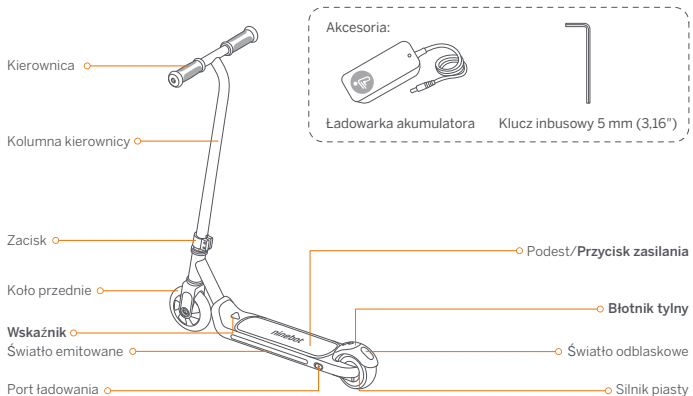
Aby zmniejszyć ryzyko obrażeń, wymagany jest nadzór osoby dorosłej. Przed pierwszą jazdą, dla bezpieczeństwa użytkownika urządzenie wyposażone jest w ograniczenie prędkości. Prędkość początkowa jest ograniczona do 5 km/h (3,1 mph), o czym świadczy czerwona kontrolka i sygnał ostrzegawczy brzęczyka. Pamiętaj o zeskanowaniu kodu QR na hulajnodze, aby dowiedzieć się, jak w pełni ją aktywować.



Dziękujemy za wybranie hulajnogi Ninebot eKickScooter (w niniejszym podręczniku określonej mianem hulajnogi)!

Hulajnoga została specjalnie zaprojektowana do płynnej i bezpiecznej jazdy. Łączy ona w sobie moc elektryczności i styl tradycyjnej hulajnogi. Ciesz się bezproblemowym ślizgiem na czadowej hulajnodze.

## 1. Części i funkcje



### Przycisk zasilania:

Umieść jedną stopę na podeście, aby uruchomić hulajnogę. Usłyszysz jeden sygnał dźwiękowy jako podpowiedź. Zdejmij obie stopy z podeśtu na 30 sekund, a hulajnoga automatycznie się wyłączy.

### Błotnik tylny:

- **Przełączanie trybu prędkości:** Po włączeniu, gdy hulajnoga jest nieruchoma, możesz dwukrotnie nastąpić na tylny błotnik, aby przełączyć tryb prędkości.
- **Hamulec:** Podczas jazdy nastąp na tylny błotnik, aby zahamować.

## Wskaźnik

Kolor wskaźnika pokazuje poziom naładowania akumulatora lub sytuacji nietypowe.

Poziom akumulatora	≥ 10 %	< 10 %	Nieaktywowany lub ostrzeżenie o nieprawidłowościach
Kolor wskaźnika	biały	czerwony	czerwony

**Uwaga:** Gdy poziom naładowania baterii spadnie poniżej 10 %, wskaźnik przestanie migać.


Migający wskaźnik pokazuje różne tryby prędkości.

Tryb prędkości	Prędkość pierwszego biegu	Prędkość drugiego biegu	Prędkość trzeciego biegu
Prędkość maksymalna	8 km/h (5,0 mph)	10 km/h (6,2 mph)	12 km/h (7,5 mph)
Wskaźnik	świeci ciągle, 1 sygnał dźwiękowy	miga powoli, z 2 sygnałami dźwiękowymi	szybkie miganie, 3 sygnały dźwiękowe

## Wskaźanie monitu

Stan	Sygnaly
Brak aktywacji	3 krótkie sygnały dźwiękowe (bez przerwy)
Zbyt wysoka temperatura akumulatora	2 krótkie i 1 długi sygnał dźwiękowy (bez przerwy)
Zbyt niska temperatura akumulatora	2 krótkie i 2 długie sygnały dźwiękowe (bez przerwy)
Prędkość > 12 km/h (7,5 mph)	2 długie sygnały dźwiękowe (bez przerwy)
Poziom naładowania akumulatora: < 10 %	2 krótkie sygnały dźwiękowe
Wyciągnij akumulator i podłącz ładowarkę	1 krótki sygnał dźwiękowy
Włączenie zasilania	1 krótki sygnał dźwiękowy
Wyłączenie zasilania	1 długi sygnał dźwiękowy

## 2. Bezpieczeństwo jazdy

- 1 Produkt przeznaczony jest wyłącznie do rekreacji. Zabronione jest poruszanie się po drogach publicznych w ruchu drogowym. Urządzenie nie służy do transportu ładunków/ towarów. Nie modyfikuj hulajnogi w jakikolwiek sposób, aby zmienić cel, dla którego została zaprojektowana. Aby opanować umiejętność jazdy, kierowca musi ćwiczyć. Należy zachować ostrożność, ponieważ uniknięcie upadków lub kolizji powodujących obrażenia użytkownika lub osób trzecich wymaga opanowania umiejętności jazdy.
- 2 Strony Segway nie ponoszą odpowiedzialności za jakiegokolwiek obrażenia, szkody lub spory prawne spowodowane brakiem doświadczenia kierowcy lub nieprzestrzeganiem wskazówek zawartych w niniejszej instrukcji.
- 3 Pamiętaj, że gdy jedziesz na hulajnodze, występuje ryzyko urazu wskutek utraty kontroli, zderzenia i upadków. Aby zmniejszyć ryzyko, musisz zapoznać się ze wszystkimi punktami oznaczonymi jako „PRZESTROGA” i „ OSTRZEŻENIE” i stosować się do nich. Prosimy pamiętać, że stosowanie się do wskazówek i ostrzeżeń zawartych w niniejszej instrukcji umożliwi ograniczenie ryzyka, lecz nie całkowite jego wyeliminowanie. Podczas jazdy należy kierować się zdrowym rozsądkiem.
- 4 Montaż i regulacja powinny być wykonywane TYLKO przez osoby dorosłe. Hulajnoga zawiera niewielkie części, które mogą stwarzać ryzyko uduszenia, nie pozwalaj dzieciom dotykać plastikowego pokrycia. Dzieci muszą zawsze znajdować się pod nadzorem rodziców.
- 5 NIE pozwalaj innej osobie na samodzielną jazdę na hulajnodze, chyba że nadzorujący tę osobę dorośli uważnie przeczytali niniejszą instrukcję. Odpowiedzialność za zapewnienie bezpieczeństwa początkującego kierowcy spoczywa na osobie dorosłej. Pomagaj początkującym kierowcom, dopóki nie zapoznają się z podstawowym działaniem hulajnogi. Kierowca musi nosić kask i inny sprzęt ochronny. Przy przekazywaniu produktu innym osobom prosimy o dołączenie do hulajnogi podręcznika użytkownika.

### OSTRZEŻENIE

Należy nosić sprzęt ochronny. Hulajnogi nie wolno używać do poruszania się po jezdni. Nigdy nie wolno doczepiać hulajnogi do innego pojazdu. NIE należy jeździć w deszczu lub przez kałuże. Hulajnoga nie nadaje się dla dzieci o masie ciała większej niż 40 kg.

### Nawierzchnie i otoczenie podczas jazdy:

- Hulajnoga jest przeznaczona do jazdy na powierzchniach płaskich, suchych i utwardzonych. Jazda

powinna odbywać się na zewnątrz. Należy sprawdzić, czy w okolicy nie ma dzieci, pieszych, zwierząt domowych, deskorolek, rowerów, hulajnóg, innych kierowców lub potencjalnych przeszkód.

- Nie wolno używać hulajnogi na jezdni, w pobliżu pojazdów silnikowych, w pobliżu stromych pochyłości oraz stopni, basenów lub innych zbiorników wodnych. Unikaj placów budowy, nagłych zmian nawierzchni, kratek ściekowych, wybojów, pęknięć, hydrantów, zaparkowanych samochodów, progów zwalniających i innych przeszkód. Nie jeźdź na luźnych nawierzchniach (takich jak skały, żwir lub piasek).
- Nie jeźdź w ekstremalnych temperaturach lub przy niskiej widoczności, np. o świcie, zmierzchu lub w nocy. Nie należy jeździć w śniegu ani w deszczu. Zanurzenie hulajnogi w wodzie może spowodować uszkodzenie, zapalenie się, a nawet wybuch akumulatora.

### OSTRZEŻENIE

Jeśli hulajnoga wydaje nietypowy dźwięk lub sygnalizuje alarm, natychmiast zakończ jazdę. Podczas jazdy należy przez cały czas trzymać ręce na kierownicy i NIE kieruj hulajnogą, trzymając ją jedną ręką lub używając jednej nogi.

### Przed jazdą:

Aby uniknąć przypadkowych obrażeń, opiekun powinien przed każdą jazdą sprawdzić następujące kwestie:

- Stan nadwozia i opon pojazdu itp. Upewnij się, że żadna część, w tym kierownica, kolumna kierownicy, tylny błotnik lub śruby, nie jest luźna lub uszkodzona.
- Naładowanie baterii: Gdy kontrolka zmieni kolor na czerwony, oznacza to, że hulajnoga nie jest wystarczająco naładowana, aby kontynuować jazdę. Hulajnogę należy ładować w odpowiednim czasie, aby uniknąć ewentualnego niebezpieczeństwa.

### Podczas jazdy:

- Na hulajnodze może przebywać TYLKO jedna osoba!
- Podczas jazdy na hulajnodze zawsze noś kask i inne akcesoria ochronne (takie jak ochraniacze na łokcie i kolana). Używaj atestowanego, dobrze dopasowanego kasku rowerowego lub deskorolkowego, z paskiem pod brodą, zapewniającego ochronę tylnej części głowy.
- NIE wyprzedzaj. Zwalniaj podczas wjeżdżania na nieznaną teren. Zachowaj ostrożność podczas jazdy w terenie, w którym znajdują się drzewa, słupki lub płoty. Zawsze zwalniaj podczas skręcania.

- Podczas jazdy bądź czujny i świadomy otoczenia zarówno w oddali, jak i bezpośrednio przed tobą. Twoje oczy są najlepszym przyrządem służącym do bezpiecznego omijania przeszkód i miejsc o obniżonej przyczepności (w tym między innymi mokrej ziemi, luźnego piasku, żwiru i oblodzonych powierzchni).
- Unikaj nagłego przyspieszania i zwalniania. Nie rozwijaj prędkości szybszej niż fabryczna prędkość maksymalna (na prędkość maksymalną może mieć wpływ waga kierowcy, poziom naładowania akumulatora, pochyłość terenu itd.). Podobnie jak w przypadku innych pojazdów, większa prędkość wymaga dłuższej drogi hamowania. Nagłe hamowanie na powierzchniach o niskiej przyczepności może prowadzić do poślizgu kół lub upadku. Bądź ostrożny i zawsze zachowuj bezpieczną odległość od innych osób podczas jazdy.
- Trzymaj obie ręce na kierownicy i nie zabieraj ze sobą ładunków. NIE używaj podczas jazdy telefonu komórkowego, aparatu fotograficznego, słuchawek pełnych lub dousznych ani nie wykonuj żadnych innych czynności. NIE zjeżdżaj z górki.
- Nie dotykaj ruchomych lub obracających się kół. Zapobiegaj zetknięciu się włosów, odzieży lub podobnych przedmiotów z ruchomymi częściami.
- Zejdź z hulajnogi i prowadź ją, gdy poruszasz się po nietypowych nawierzchniach, takich jak ograniczniki prędkości i dziury.

### Osoby, które nie powinny jeździć na hulajnodze:

- Osoby będące pod wpływem alkoholu, narkotyków lub środków odurzających.
- Osoby cierpiące na schorzenia (szczególnie zlokalizowane w głowie, sercu, plecach i szyi), narażające je na ryzyko, jeśli podejmują intensywną aktywność fizyczną.
- Osoby, których stan zdrowia wpływa niekorzystnie na zdolność utrzymania równowagi.
- Osoby, których wiek, wzrost i waga nie mieszczą się we wskazanych limitach (patrz punkt Dane techniczne).
- Osoby z obniżonymi zdolnościami umysłowymi, które mogą nie rozumieć prawidłowego działania hulajnogi i związanego z nim ryzyka.

### Bezpieczne korzystanie:

- Nie należy jeździć na hulajnodze, gdy temperatura otoczenia przekracza temperaturę eksploatacji produktu (patrz punkt Dane techniczne), ponieważ niskie/wysokie temperatury mogą obniżyć sprawność hulajnogi, a nawet prowadzić do wypadków.

- Parkuj zawsze używając nóżki, na płaskiej i stabilnej powierzchni. Gdy hulajnoga jest na stojaku, sprawdź jej stabilność, aby uniknąć ryzyka jej przewrócenia się (wskutek śliskiej nawierzchni, podmuchu wiatru lub lekkiego wstrząsu). Nie parkuj w ruchliwej okolicy, lecz raczej wzdłuż ściany lub muru.
- Zaleca się przeprowadzanie regularnej konserwacji hulajnogi (patrz punkt Konserwacja).
- Przed naładowaniem akumulatora należy zapoznać się z instrukcją obsługi (patrz punkt Ładowanie akumulatora).

## OSTRZEŻENIE

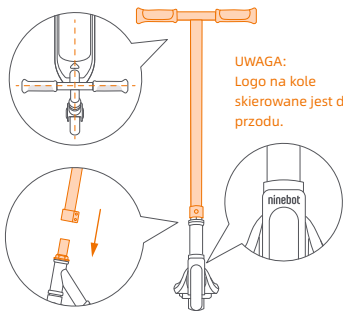
- Używaj tylko oryginalnej ładowarki. Nie ładuj akumulatora, gdy jest mokry lub uszkodzony.
- Nigdy nie pozwól dziecku dotykać części hulajnogi ze szczelinami, takich jak tylny błotnik, koła itp. Po zakończeniu jazdy nie dotykaj hamulca ani silnika piasty. Pozwoli to uniknąć oparzeń spowodowanych podwyższoną temperaturą.

### 3. Montaż i aktywacja

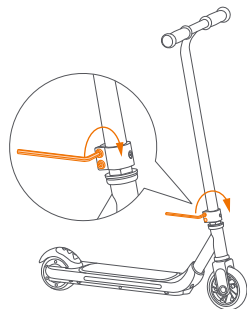
#### ⚠ OSTRZEŻENIE

Przed montażem sprawdź, czy hulajnoga jest wyłączona.

- 1 Wsuń kolumnę kierownicy do samego dołu i wyreguluj kierunek kierownicy, tak aby był prostopadły do przedniego koła.



- 2 Dokręć dwie śruby zacisku, aby mieć pewność, że jest on bezpiecznie zainstalowany.



**Uwaga:**  
Śrubę należy umieścić z tyłu.

#### Aktywacja

Zeskanuj kod QR, aby dowiedzieć się, jak aktywować hulajnogę przed jazdą; w przeciwnym razie jej prędkość będzie ograniczona do 5 km/h (3,1 mph).

### 4. Nauka jazdy \* Gdy wskaźnik zmienia kolor na czerwony, należy natychmiast naładować akumulator.

#### ⚠ OSTRZEŻENIE

Zawsze zakładaj kask i inne wyposażenie ochronne, aby zminimalizować ewentualne obrażenia podczas nauki jazdy. Aby zmniejszyć ryzyko obrażeń, wymagany jest nadzór osoby dorosłej.



- 1 Uruchamianie: Umieść jedną stopę na podeście, aby uruchomić hulajnogę. Usłyszysz jeden sygnał dźwiękowy jako podpowiedź.
- 2 Tryb stałej prędkości: Mocno chwyć kierownicę obiema rękami i odepchnij się, aby uruchomić hulajnogę. Podczas jazdy trzymaj obie stopy na podeście i zachowuj równowagę.



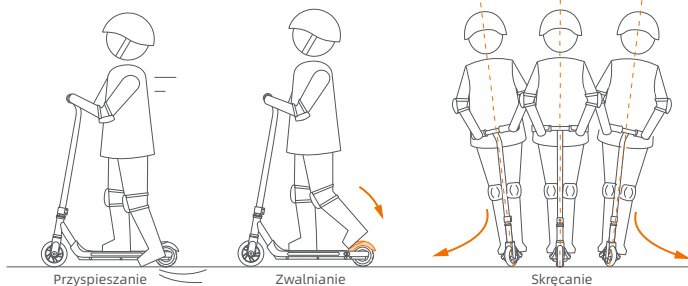
#### Tryb przełączania prędkości

Po włączeniu, gdy hulajnoga jest nieruchoma, możesz dwukrotnie nadepnąć na tylny błotnik, aby przełączyć tryb prędkości.

#### Uwaga:

Dla bezpieczeństwa użytkownika silnik piasty nie uruchomi się, jeśli prędkość jest mniejsza niż 2 km/h (1,2 mph).

- 3 Przyspieszanie i zwalnianie Stale się odpychaj, aby przyspieszyć do prędkości 12 km/h (7,5 mph). Nadepnij na tylny błotnik, aby zahamować.
- 4 Skracanie: Aby skrócić, przechyl się i lekko obróć kierownicę.



## ⚠️ OSTRZEŻENIE

Zachowaj czujność i unikaj nagłego przyspieszenia lub zwalniania. W przeciwnym razie istnieje ryzyko odniesienia poważnych obrażeń spowodowanych brakiem równowagi, utratą przyczepności i upadkiem. NIE wykonuj żadnych trików. Obie opony muszą pozostać na ziemi przez cały czas.



- 5 Schodzenie: Kiedy hulajnoga zatrzyma się, zejźdź z niej jedną stopą na raz. Zachowaj szczególną ostrożność podczas schodzenia po raz pierwszy. Zdejmij obie stopy z podestu na 30 sekund, a hulajnoga automatycznie się wyłączy.

## ⚠️ OSTRZEŻENIE

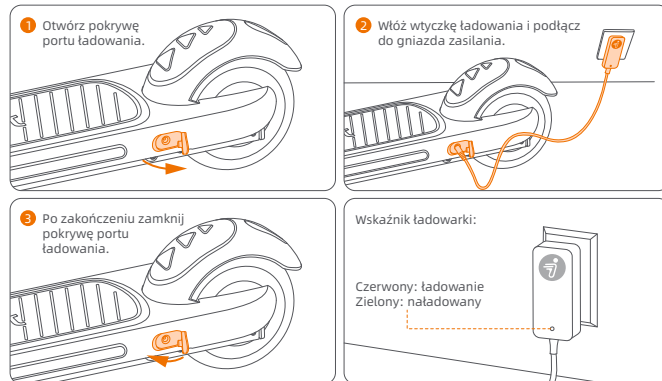
Zachowaj spokój i nie zeskakuj z hulajnogę.  
NIE dotykaj silnika piasty, aby uniknąć oparzenia.

## 5. Ładowanie hulajnogę

### PRZESTROGA

Ładowarka nie jest zabawką. Nie wolno pozwalać dotykać ładowarki dzieciom. Ładowanie musi obsługiwać nadzorująca osoba dorosła. Przed ładowaniem i podczas ładowania upewnij się, że hulajnoga jest wyłączona.

### Kroki ładowania



## ⚠️ OSTRZEŻENIE

- Używaj tylko ładowarki wskazanej przez producenta. Inne rodzaje mogą pęknąć i zapalić się.
- Nie próbuj ładować hulajnogę, jeśli ładowarka lub gniazdko elektryczne są mokre.
- W przypadku wystąpienia nieprawidłowego zapachu, dźwięku lub wskazania wyświetlacza należy natychmiast przerwać ładowanie i skontaktować się z serwisem posprzedażowym.
- Podczas ładowania umieść hulajnogę z dala od materiałów łatwopalnych i wybuchowych, w miejscu niedostępnym dla dzieci.
- Jeśli hulajnoga nie jest ładowana, odłącz ładowarkę od gniazdka sieciowego.

## 6. Dane techniczne

	Pozycja	Ninebot eKickScooter ZING A6
Waga i rozmiar	Waga netto	Okolo 4,6 kg (10,1 lbs)
	Długość x szerokość x wysokość	Okolo 650 x 320 x 850 mm (25,6 x 12,6 x 33,5 cala)
Wymagania dotyczące kierowcy	Maksymalne obciążenie użytkownika	40 kg (88 lbs)
	Zalecany wiek	6+ lat
	Zalecany wzrost	105-140 cm (3'5"-4'7")
Parametry pojazdu	Tryb prędkości (maksymalna prędkość)	Prędkość pierwszego biegu: 8 km/h (5,0 mph), prędkość drugiego biegu: 10 km/h (6,2 mph), prędkość trzeciego biegu: 12 km/h (7,5 mph)
	Typowy zasięg <sup>[1]</sup>	Ok. 5 km (3,1 mili)
	Nawierzchnia nadająca się do jeżdżenia	Plaska nawierzchnia, droga utwardzona; przeszkody < 1 cm (0,4 cala); szczeliny < 1 cm (0,4 cala)
	Temperatura robocza	-10-40 °C (14-104 °F)
	Temperatura przechowywania	-20-50 °C (-4-122 °F); zalecana 5-30 °C (41-86 °F)
	Stopień ochrony	IPX4
	Czas ładowania	Ok. 3 h
Zespół akumulatora	Typ akumulatora	Akumulator litowo-jonowy
	Napięcie znamionowe	10,8 V ---
	Napięcie maksymalne	12,6 V ---
	Temperatura ładowania	0-45 °C (32-113 °F); zalecana 10-35 °C (50-95 °F)
	Pojemność/energia nominalna	2500 mAh/27 Wh
System zarządzania akumulatorem	Zabezpieczenie przed przegrzaniem, zwarcie, przepięciem i przetądowaniem	
Silnik	Moc nominalna	50 W
	Moc maksymalna	80 W (0,08 kW)
Ładowarka akumulatora	Napięcie wejściowe	100-240V-
	Moc wyjściowa znamionowa	11,6 V --- , 1,0 A
	Moc wyjściowa	11,6 W (0,01 kW)
Inne	Metoda hamowania	Hamulec na tylnym błotniku
	Opony	Koto przednie: poliuretanowe, Tylnie koto: gumowe stałe
	Materiał ramy	Stal
	Wartość ochrony przed przepięciem	7,5 A
	Materiał kierownicy	TPR

[1] Typowy zasięg: testowany podczas jazdy z pełnym akumulatorem, obciążenie 30 kg (61 lbs), temperatura 25 °C (77 °F), średnio 60 % maksymalnej prędkości na nawierzchni.

\* W przypadku pierwszej jazdy domyślnym trybem prędkości jest tryb pierwszego biegu. Po wyłączeniu hulajnogi ustawienie trybu prędkości zostanie zachowane do następnego włączenia.

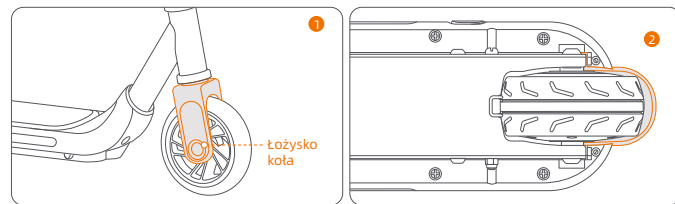
## 7. Konserwacja

Osoba dorosła powinna przeprowadzać regularną konserwację hulajnogi.

### Czyszczenie

Do czyszczenia używaj miękkiej, wilgotnej ściereczki. Trudne do usunięcia plamy można czyścić szcoteczką do zębów i pastą do zębów, a następnie przetrzeć miękką i mokną szmatką.

Aby zapobiec zakleszczeniu kół, łożysk kół lub hamulców, należy je czyścić i sprawdzać, czy nie występują na nich (jak pokazano w szarych wyróżnionych obszarach poniżej) zabrudzenia i inne ciała obce.



Najpierw usuń ciała obce, a następnie wytrzyj hulajnogę miękką wilgotną szmatką. Nasmaruj obie strony łożyska olejem smarowym lub olejem maszynowym. Jeśli problem nadal występuje, skontaktuj się z obsługą klienta. **PRZESTROGA:** Aby uniknąć gromadzenia się ciał obcych, NIE jeźdź po drogach błotnistych, zakurzonych, trawiastych lub śliskich. Nie czyść hulajnogi alkoholem, benzyną, acetonem ani innymi żrącymi/lotnymi rozpuszczalnikami. Substancje te mogą uszkodzić powierzchnię i konstrukcję wewnętrzną hulajnogi. Nie myj hulajnogi w myjni ani węzłem.

### ⚠ OSTRZEŻENIE

- Produktu nie wolno wyrzucać na wysypisko śmieci, spalać ani mieszać z odpadami domowymi. Podzespoły zasilane elektrycznie mogą stwarzać niebezpieczeństwo poważnych obrażeń.
- Przed przystąpieniem do czyszczenia upewnij się, że hulajnoga jest wyłączona, przewód zasilający odłączony, a gumowa nasadka na porcie ładowania szczelnie zamknięta; w przeciwnym razie może dojść do uszkodzenia podzespołów elektrycznych.

## Przechowywanie

Przed odłożeniem do przechowywania należy sprawdzić, czy hulajnoga jest wyłączona, i naładować ją w całości, aby uniknąć nadmiernego rozładowania, które spowoduje trwałe uszkodzenie. Przy dłuższym przechowywaniu ładować hulajnogę co 30 dni. Przechowywać w chłodnym i suchym miejscu w pomieszczeniu. Narażenie na działanie światła słonecznego i ekstremalnych temperatur (zarówno wysokich, jak i niskich) przyspieszy proces starzenia się elementów i może spowodować trwałe uszkodzenie akumulatora. Jeśli temperatura miejsca przechowywania jest niższa niż 0 °C (32 °F), ładuj hulajnogę dopiero po przeniesieniu do cieplejszego miejsca, najlepiej o temperaturze powyżej 10 °C (50 °F).

## ⚠️ OSTRZEŻENIE

- Długotrwałe narażenie na promienie ultrafioletowe, deszcz i elementy mogą uszkodzić materiały obudowy.
- Gdy hulajnoga nie jest używana, przechowuj ją pod dachem.
- Trzymaj hulajnogę z dala od ognia!

## Akumulator

Dobrze konserwowany akumulator może działać sprawnie nawet po wielu kilometrach jazdy. Podładuj akumulator po każdej jeździe i unikaj całkowitego rozładowywania go. Akumulator działa najlepiej i zapewni najlepszy zasięg pojazdu w temperaturze 22 °C (72 °F). Elektronika wewnątrz akumulatora rejestruje stan naładowania i rozładowania akumulatora; uszkodzenia spowodowane nadmiernym rozładowaniem lub niedostatecznym rozładowaniem nie będą objęte gwarancją.

## ⚠️ OSTRZEŻENIE

- Aby uzyskać informacje na temat akumulatorów i odpadów elektrycznych, skontaktuj się z podmiotem odbierającym odpady z gospodarstw domowych, lokalnym lub regionalnym biurem gospodarowania odpadami, bądź punktem sprzedaży.
- Akumulator nie jest wymienny. Nie należy próbować wymieniać ani demontować akumulatora. Nie demontuj ani nie przebijaj jego obudowy. Trzymaj akumulator z dala od metalowych przedmiotów, aby zapobiec zwarciu.
- Ryzyko pożaru i porażenia prądem. Hulajnoga nie posiada części, które może serwisować użytkownik.
- Nie przechowuj ani nie ładuj akumulatora w temperaturach poza podanymi wartościami granicznymi.
- Nigdy nie ładuj hulajnogi w miejscach, gdzie jest to zabronione prawem.

## Ładowarka akumulatora

Regularnie sprawdzaj ładowarkę pod kątem uszkodzenia przewodu, wtyczki, obudowy i innych części. W razie wykrycia uszkodzenia powstrzymaj się od korzystania z hulajnogi do momentu jej naprawy lub wymiany.

## ⚠️ OSTRZEŻENIE

Ryzyko porażenia prądem. Nie rozbieraj obudowy i nie dotykaj metalowych styków. Ładować wolno TYLKO akumulatory litowo-jonowe!

## Inne

- Wyłącz hulajnogę przed podnoszeniem, przesuwaniem lub przenoszeniem w inny sposób. Ostrożnie obchodź się z hulajnogą i unikaj wywierania na nią nadmiernej siły, na przykład wskutek rzucania i dużego nacisku. Trzymaj hulajnogę z dala od ognia i wody.
- Opony dostarczane wraz z produktem mają być montowane na kole przez profesjonalnego serwisanta. Demontaż kół jest skomplikowany, a nieprawidłowe ich zamontowanie może być przyczyną niestabilności i nieprawidłowej pracy.

W razie wypadków lub awarii skontaktuj się z autoryzowanym serwisem, jeśli produkt jest nadal objęty gwarancją. Jeśli nie, możesz skontaktować się z wybranym specjalistycznym serwisem. Listę autoryzowanych serwisów można uzyskać w dziale obsługi klienta pod adresem [www.segway.com](http://www.segway.com).

Dołożono starań, aby w instrukcji obsługi używać maksymalnie prostych określeń. Gdy użytkownik uważa, że dana czynność jest dla niego zbyt skomplikowana, powinien skontaktować się z autoryzowanym lub specjalistycznym serwisem lub działem obsługi klienta.

## UWAGA: UBEZPIECZENIE

POLISY UBEZPIECZENIOWE MOGĄ NIE ZAPEWNIĄĆ UBEZPIECZENIA W PRZYPADKU WYPADKÓW ZWIĄZANYCH Z TĄ HULAJNOGĄ, ABY USTALIĆ, CZY UBEZPIECZENIE OBOWIĄZUJE, NALEŻY SKONTAKTOWAĆ SIĘ ZE SWOJĄ FIRMĄ UBEZPIECZENIOWĄ LUB AGENTEM.

## 8. Certyfikaty

Dotyczy modelu: ZING A6

Akumulator jest zgodny ze standardem UN/DOT 38.3.

**Oświadczenie o zgodności z normami Unii Europejskiej**

**Ważne informacje dotyczące ZSEE**



Informacje na temat utylizacji i recyklingu ZSEE. Prawidłowe usuwanie tego wyrobu. To oznaczenie wskazuje, że tego wyrobu nie wolno usuwać wraz z innymi odpadami z gospodarstwa domowego na terenie całej UE.

Aby zapobiec potencjalnym szkodom dla środowiska lub zdrowia ludzi w wyniku niekontrolowanego usuwania odpadów, należy poddać je recyklingowi w sposób odpowiedzialny, aby promować zrównoważone ponowne wykorzystanie zasobów materiałowych. Aby zwrócić zużyte urządzenie, należy skorzystać z systemów zwrotu i zbiórki lub skontaktować się ze sprzedawcą, u którego zakupiono produkt. Sprzedawca może odebrać ten produkt w celu bezpiecznego ekologicznego recyklingu.

**Informacje o recyklingu akumulatorów na terenie Unii Europejskiej**



Akumulatory lub opakowania akumulatorów są oznakowane zgodnie z dyrektywą europejską 2006/66/WE i dyrektywą zmieniającą 2013/56/UE w sprawie baterii i akumulatorów oraz zużytych baterii i akumulatorów. Dyrektywa określa warunki zwrotu i recyklingu zużytych baterii i akumulatorów w całej Unii Europejskiej. Etykieta ta jest stosowana do różnych akumulatorów, aby wskazać, że akumulator nie powinien być wyrzucany, lecz raczej odzyskiwany po zakończeniu okresu użytkowania, zgodnie z powyższą dyrektywą.

Zgodnie z dyrektywą europejską 2006/66/WE i dyrektywą zmieniającą 2013/56/UE baterie i akumulatory są oznakowane w celu wskazania, że należy je odbierać osobno i poddawać recyklingowi pod koniec okresu ich użytkowania. Etykieta na akumulatorze może również zawierać symbol chemiczny danego metalu w akumulatorze (Pb dla ołowiu, Hg dla rtęci i Cd dla kadmu). Użytkownicy baterii i akumulatorów nie mogą wyrzucać baterii i akumulatorów w postaci nieposortowanych odpadów komunalnych, lecz korzystać z

dostępnych dla klientów programów zbiórki w celu zwrotu, recyklingu i przetwarzania baterii i akumulatorów. Zaangażowanie klientów jest ważne, aby zminimalizować potencjalny wpływ baterii i akumulatorów na środowisko i zdrowie ludzkie z uwagi na potencjalną obecność substancji niebezpiecznych.

Przed umieszczeniem sprzętu elektrycznego i elektronicznego (SEE) w strumieniu odpadów lub w obiektach gromadzenia odpadów użytkownik końcowy urządzeń zawierających baterie lub akumulatory musi wyjąć te baterie i akumulatory do oddzielnej zbiórki.

**Dyrektywa w sprawie ograniczenia substancji niebezpiecznych (RoHS)**

Ten produkt Ninebot (Changzhou) Tech Co., Ltd. z dołączonymi częściami (kable, przewody itd.) spełnia wymogi dyrektywy 2011/65/UE w sprawie ograniczenia stosowania niektórych substancji niebezpiecznych w sprzęcie elektrycznym i elektronicznym („przekształcona dyrektywa RoHS” lub „RoHS 2.0”).

**Zgodność elektromagnetyczna**

Ninebot (Changzhou) Tech Co., Ltd. oświadcza, że urządzenia wymienione w niniejszym punkcie są zgodne z zasadniczymi wymaganiami i innymi odpowiednimi przepisami dyrektywy 2014/30/UE w sprawie kompatybilności elektromagnetycznej.



**Segway-Ninebot EMEA**

**EU Representative: Dynamostraat 7, 1014 BN Amsterdam, The Netherlands**

Deklaracja zgodności znajduje się pod następującym adresem:

<http://eu-en.segway.com/support-instructions>

Ninebot (Changzhou) Tech Co., Ltd. niniejszym oświadcza, że to urządzenie spełnia zasadnicze wymagania i inne odpowiednie przepisy dyrektywy w sprawie kompatybilności elektromagnetycznej 2014/30/UE, dyrektywy w sprawie bezpieczeństwa zabawek 2009/48/WE oraz dyrektywy RoHS 2011/65/UE.



## 9. Znaki towarowe i oświadczenia prawne

Ninebot jest zarejestrowanym znakiem towarowym spółki Ninebot (Tianjin) Tech. Co. Ltd. Segway i Rider Design są zarejestrowanymi znakami towarowymi firmy Segway Inc.; Odpowiedni właściciele zastrzegają sobie prawa do swoich znaków towarowych wskazanych w niniejszej instrukcji obsługi.

Do momentu wydrukowania niniejszej instrukcji staraliśmy się w niej zawrzeć opis i wskazówki dotyczące wszystkich funkcji Ninebot eKickScooter. Jednak wskutek ciągłego ulepszenia produktu i zmian projektowych zakupiona hulajnoga może nieznacznie różnić się od wersji wskazanej w tym dokumencie. Najnowsze materiały użytkownika można pobrać na stronie [www.segway.com](http://www.segway.com).

Należy pamiętać, że istnieje wiele modeli pojazdów Segway i Ninebot by Segway z różnymi funkcjami, toteż niektóre z wymienionych w tej instrukcji funkcji mogą nie mieć zastosowania w danym urządzeniu. Producent zastrzega sobie prawo do zmiany konstrukcji i funkcjonalności hulajnogi oraz jej dokumentacji bez wcześniejszego powiadomienia.

©2021 Ninebot (Beijing) Tech Co., Ltd. Wszystkie prawa zastrzeżone.

### Oświadczenie prawne

**WAŻNE:** Ninebot eKickScooter („produkt”) jest pojazdem terenowym, a nie środkiem transportu. Należy pamiętać, że użytkownik zobowiązany jest do zapoznania się z całą instrukcją obsługi i pełnego zrozumienia jej treści (w szczególności ustępów związanych z bezpieczeństwem jazdy).

1. „Strony Segway” wymienione powyżej i poniżej to Manufacture („Ninebot”) Segway-Ninebot EMEA („Segway”) i ich podmioty powiązane (w tym między innymi ich spółki dominujące, spółki zależne, spółki powiązane, poprzednicy, późniejsze spółki, administratorzy, następcy, cesjonariusze, dyrektorzy, menedżerowie, pracownicy, członkowie, wspólnicy, agenci, pełnomocnicy i ubezpieczyciele).
2. Ten produkt może być niebezpieczny dla użytkownika, innych osób i mienia znajdującego się w pobliżu produktu. Użytkownik ponosi wszelkie ryzyko i przyjmuje odpowiedzialność za szkody związane z produktem (szczególnie z naruszeniem ostrzeżeń i przestróg zawartych w instrukcji) lub z niego wynikłe. Zagrożenia takie obejmują między innymi utratę kontroli, awarię produktu lub kolizję.

Konsekwencje takiego incydentu mogą być poważne i obejmować urazy, uszkodzenie ciała, śmierć lub szkodę w mieniu. Strony Segway nie ponoszą odpowiedzialności za jakiegokolwiek roszczenia, należności i straty związane z takimi konsekwencjami, jeżeli wynikają one z przejęcia ryzyka przez użytkownika.

3. Produkt jest przedmiotem służącym do rozrywki i zabawy. Użytkownik może nie posiadać niezbędnego i wystarczającego doświadczenia i umiejętności, aby jeździć na produkcie, szczególnie w skomplikowanych warunkach lub na nietypowej nawierzchni. Ryzyko to może wzrosnąć, jeśli użytkownik jest osobą z upośledzeniem fizycznym lub psychicznym lub niepełnosprawnością. Ryzyko takie może również wzrosnąć, jeśli użytkownik nie jest w wystarczającym stopniu zaznajomiony z funkcjami, cechami i zachowaniem produktu. W związku z tym nowi użytkownicy mają obowiązek nauczyć się i ćwiczyć, jak prawidłowo i bezpiecznie korzystać z produktu.
4. Użytkownik ma obowiązek regularnie i okresowo, stosownie do okoliczności, przeprowadzać kontrolę i konserwację produktu. Użytkownik ma również obowiązek przeprowadzenia niezbędnych oględzin i sprawdzenia produktu przed każdą jazdą. Przed rozpoczęciem jazdy użytkownik musi na przykład sprawdzić i obejrzeć stan opon, poziom naładowania akumulatora oraz wszystkie części funkcjonalne. W przypadku nieprawidłowości, przebarwień lub zmiany koloru materiału (szczególnie w obszarach poddawanych dużym naprężeniom, gdy produkt jest w ruchu), zarysowań, pęknięć, luźnych elementów łączących i/lub brakujących części (takich jak śruby, gwinty lub nakrętki), które zdecydowanie wskazują, że jazda produktem nie jest bezpieczna.
5. Ponieważ przewidzenie lub rozpoznanie wszystkich sytuacji, stanów /lub okoliczności, w których użytkownik produktu może być narażony na ryzyko i niebezpieczeństwo nie jest możliwe, celem niniejszej instrukcji obsługi nie jest wskazanie w sposób wyczerpujący, jak bezpiecznie jeździć na produkcie lub unikać zagrożeń związanych z produktem. Zatem, aby stosować się do instrukcji, użytkownik musi również jeździć na produkcie lub używać go w sposób odpowiedzialny, dbały, ostrożny i zgodny z najlepszym osądem.
6. Użytkownicy mają obowiązek znać przepisy krajowych ustaw lub rozporządzeń dotyczących produktu i stosować się do nich. Tego rodzaju przepisy ustawowe lub wykonawcze mogą się różnić w poszczególnych systemach prawnych. Przepisy te mogą obejmować między innymi:
  - a. Obowiązek noszenia kasku zgodnie z przepisami ustaw i rozporządzeń kraju użytkownika.
  - b. Więcej informacji dotyczących wymogów prawnych związanych z produktem można uzyskać od organów samorządu terytorialnego.
7. Po otrzymaniu produktu użytkownicy mają obowiązek sprawdzić, czy produkt i jego akcesoria są w dobrym stanie.
8. Poszczególne elementy i części produktów muszą być prawidłowo zainstalowane zgodnie z instrukcją obsługi. Niewłaściwa instalacja lub montaż części mogą znacznie zwiększyć ryzyko utraty kontroli, awarii produktu, kolizji i upadków. Produkt może zawierać zdejmowalne elementy i drobne części. Elementy te należy przechowywać w miejscu niedostępnym dla dzieci, aby uniknąć ryzyka zadławienia.
9. Produktu nie wolno wyrzucać na wysypisko śmieci, spalać ani mieszać z odpadami domowymi.

Części zasilane elektrycznie i akumulatory mogą stwarzać znaczne niebezpieczeństwo lub powodować urazy. Aby uzyskać informacje na temat odpadów akumulatorowych i elektrycznych, należy skontaktować się z podmiotem odbierającym odpady gospodarstw domowych, lokalnym lub regionalnym biurem gospodarowania odpadami, bądź punktem sprzedaży. Użytkownikowi nie wolno używać nieoryginalnych akcesoriów ani demontować lub modyfikować produktu bez zezwolenia. Użytkownik ponosi odpowiedzialność za wszystkie straty, urazy i szkody majątkowe wynikające z tego tytułu oraz związane z nimi ryzyko.

10. Strony Segway zastrzegają zastrzega sobie prawo do wprowadzania zmian w produkcji, publikowania aktualizacji oprogramowania układowego oraz uaktualniania niniejszej instrukcji w dowolnym momencie. NINEBOT Strony Segway mogą w dowolnym czasie i bez powiadomienia wprowadzać w niniejszej instrukcji obsługi ulepszenia i zmiany niezbędne ze względu na błędy typograficzne, nieścisłość bieżących informacji lub modyfikacje programów lub sprzętu. Zmiany te zostaną jednak uwzględnione w nowych wersjach niniejszej instrukcji obsługi. Wszystkie rysunki służą wyłącznie do celów ilustracyjnych i mogą nie przedstawiać rzeczywistego urządzenia. Rzeczywisty produkt i jego funkcje mogą się różnić. Ze względu na aktualizację produktu mogą wystąpić pewne różnice w kolorze, wyglądzie i innych aspektach między produktem wymienionym w niniejszej instrukcji a produktem zakupionym. Produkt należy porównać z wersją rzeczywistą.
11. Niniejszy dokument należy traktować jako nieodłączną część produktu i zawsze przekazywać użytkownikowi razem z produktem.

Jeszcze raz dziękujemy za wybranie hulajnogi Ninebot eKickScooter!

## 10. Kontakt

W przypadku problemów związanych z jazdą, konserwacją i bezpieczeństwem lub wad/usterek hulajnogi prosimy o kontakt.

Europa, Bliski Wschód i Afryka:

Segway-Ninebot EMEA, Dynamostraat 7, 1014 BN Amsterdam, Holandia

Witryna: [www.segway.com](http://www.segway.com)

Kontaktując się z Segway, należy przygotować numer seryjny hulajnogi.

Numer seryjny można znaleźć na spodzie skutera.