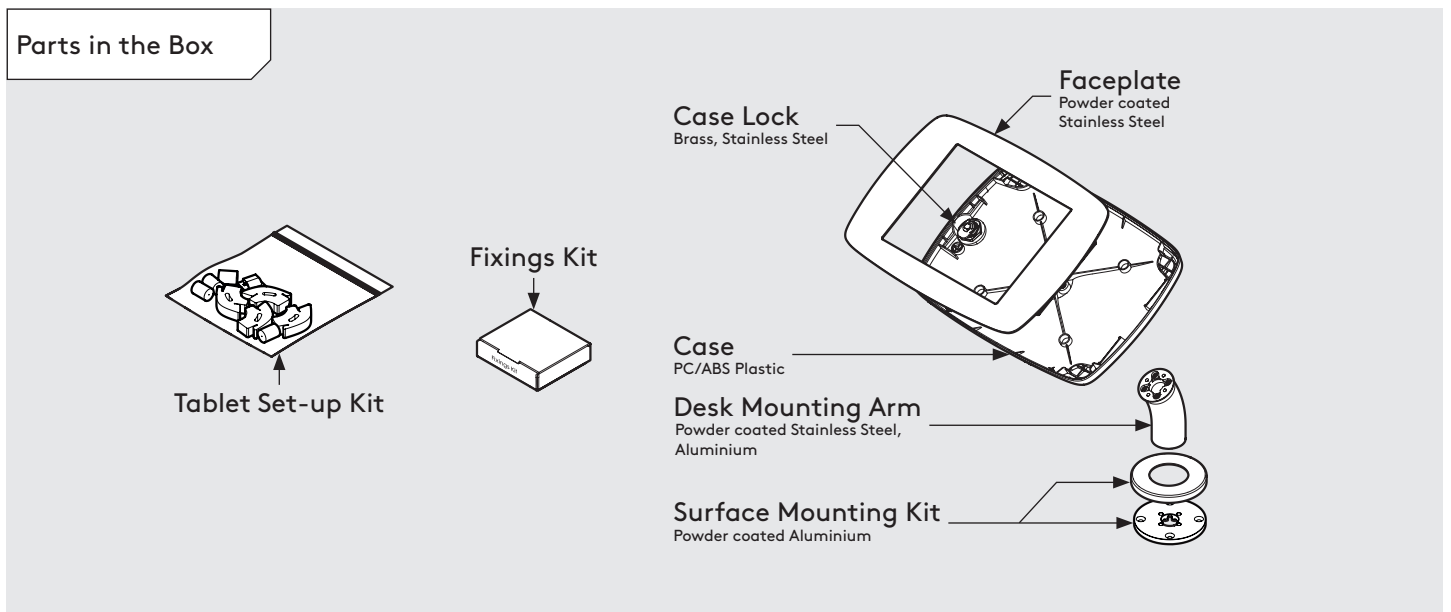
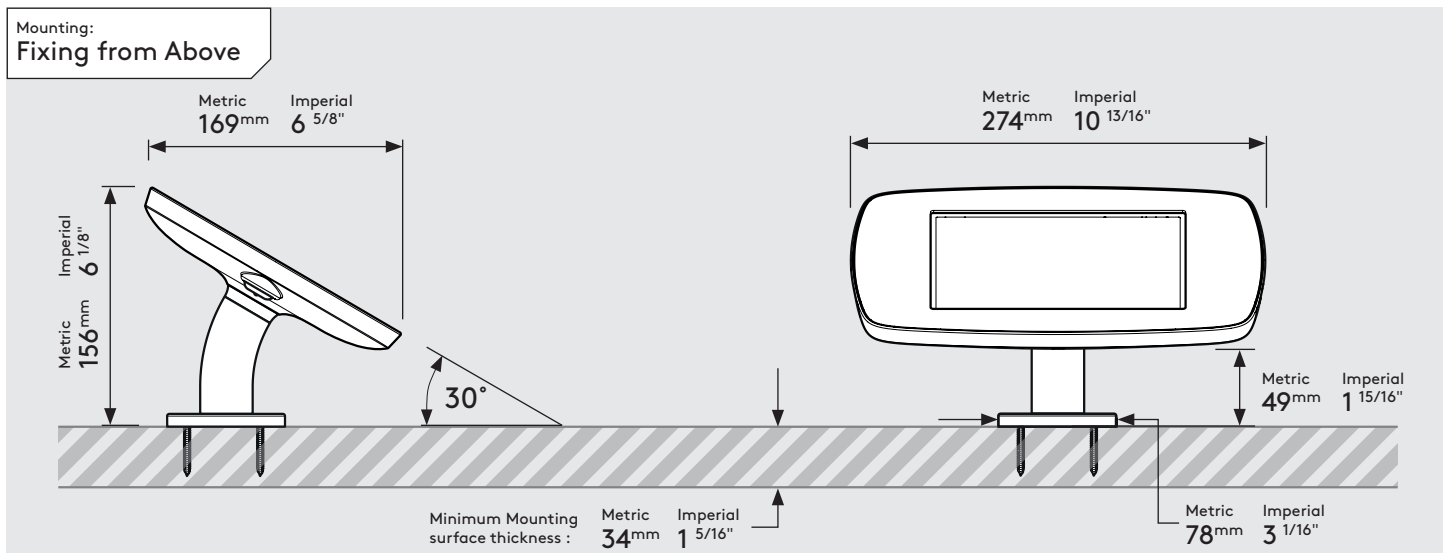
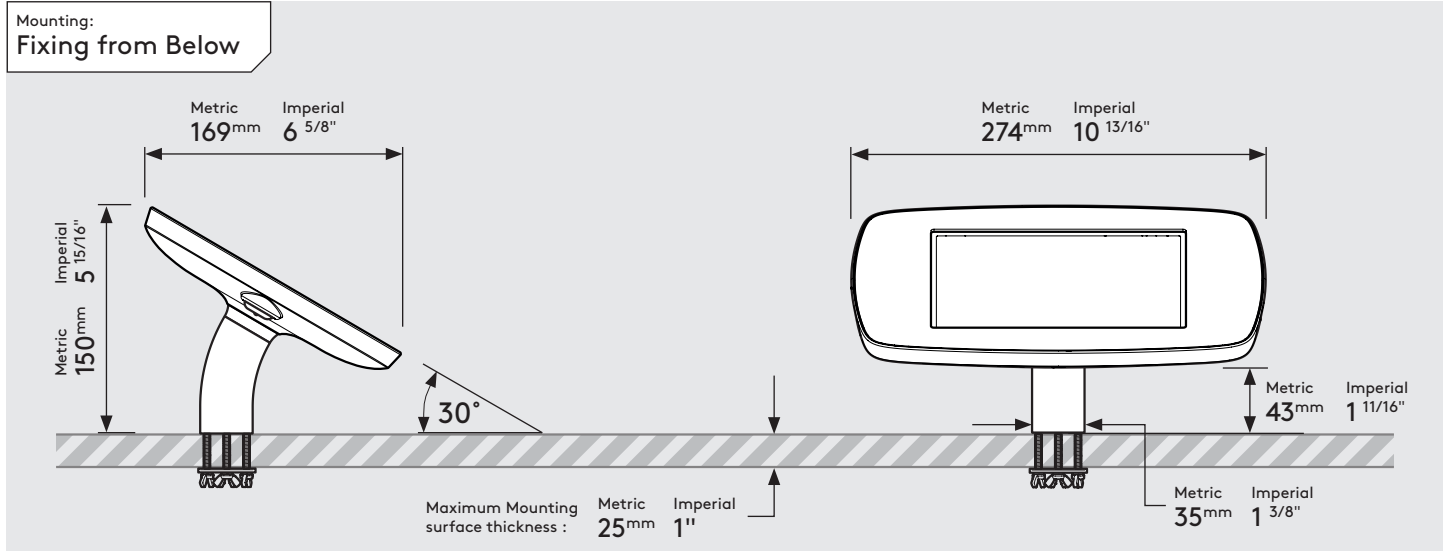


PRODUCT DATA SHEET - DESK (MINI CASE)

bouncepad®

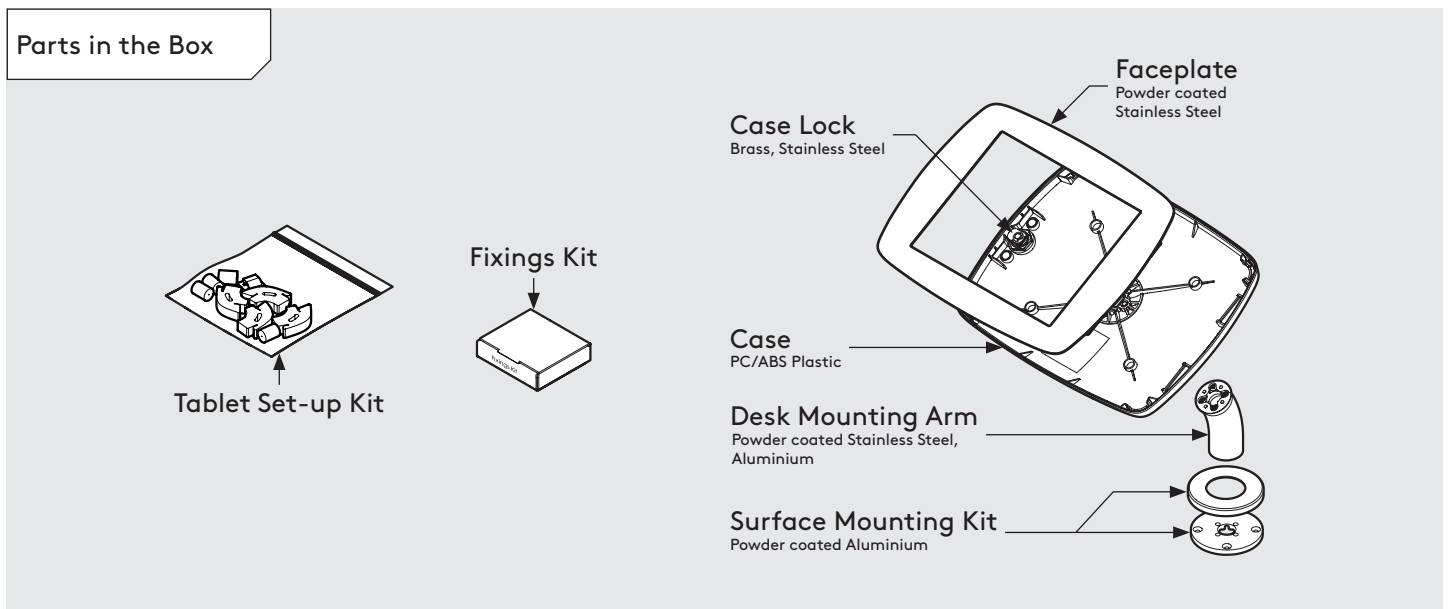
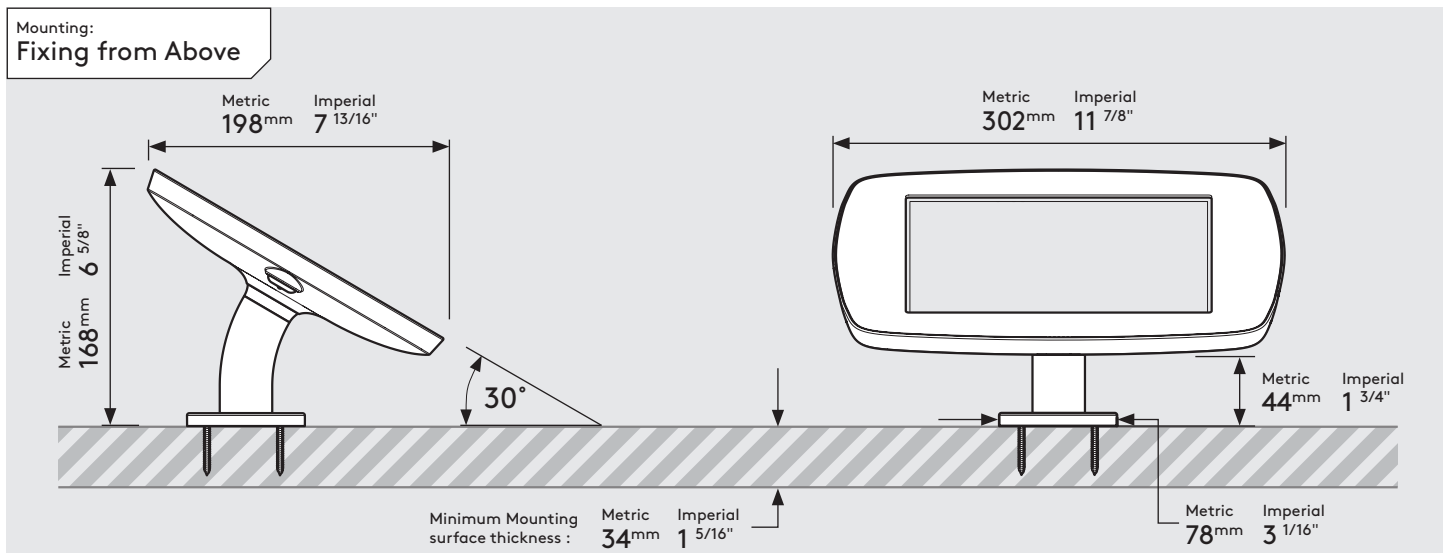
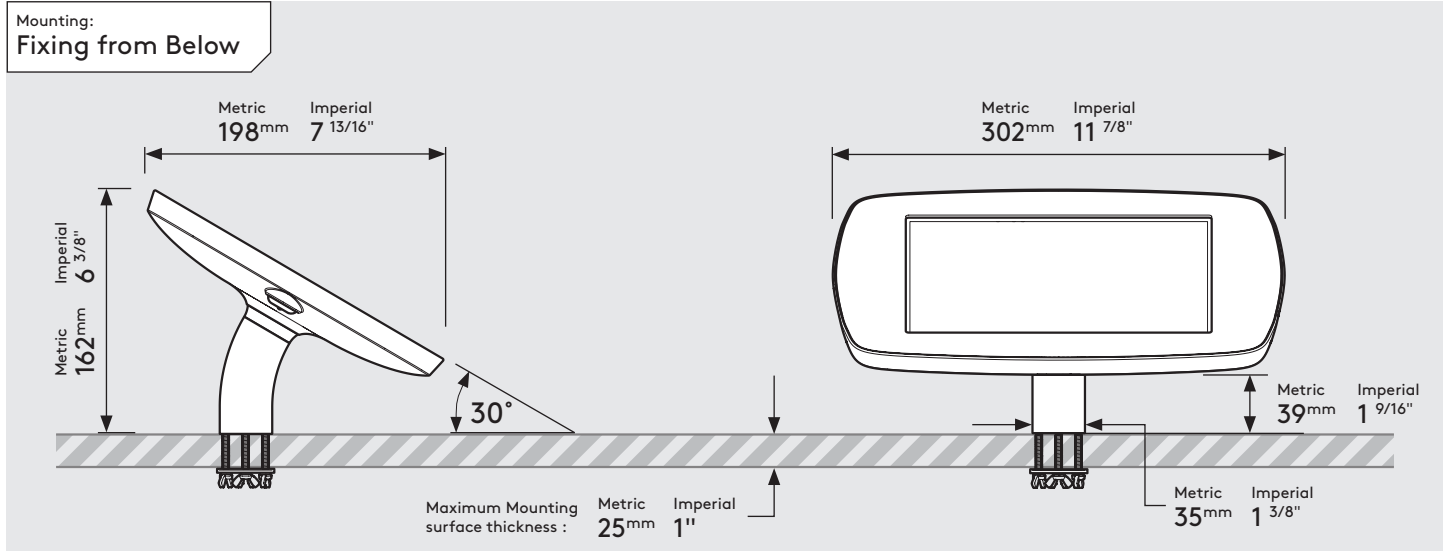
Case:	Arm:	Mounting:	Packaged weight:	Colour:
Mini	Desk	Fixing from below	1.66kg	White Black
		Fixing from Above		



PRODUCT DATA SHEET - DESK (MIDI CASE)

bouncepad[®]

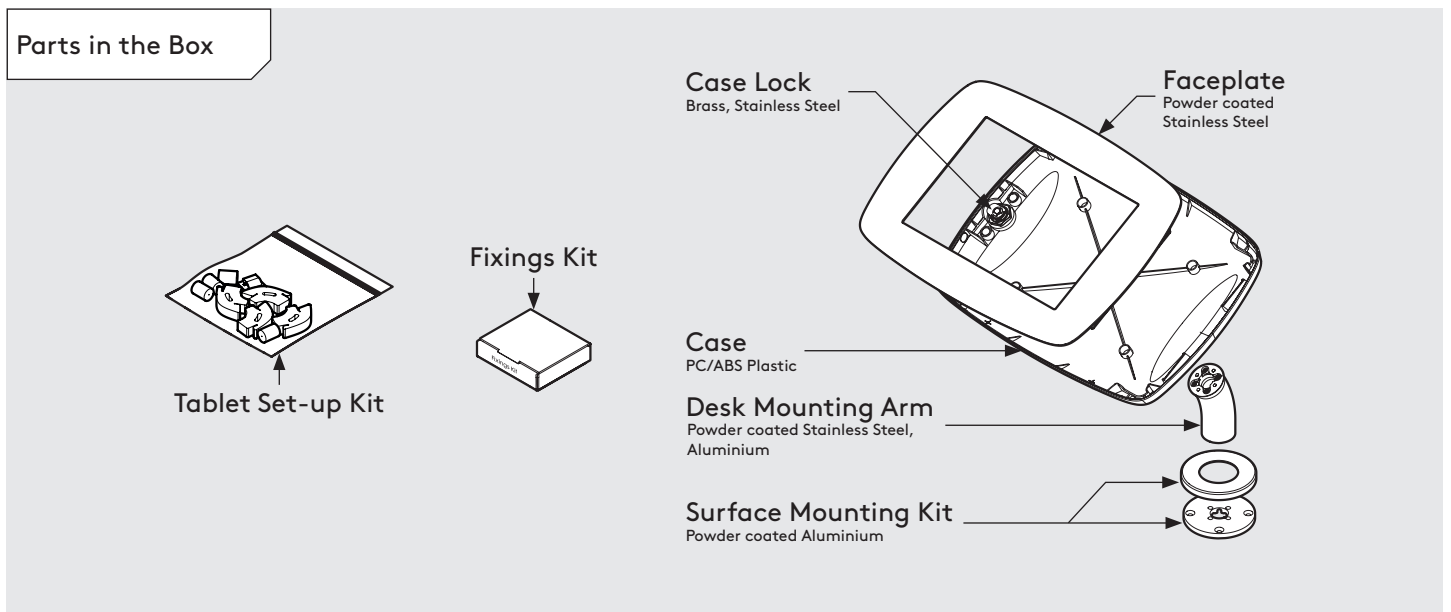
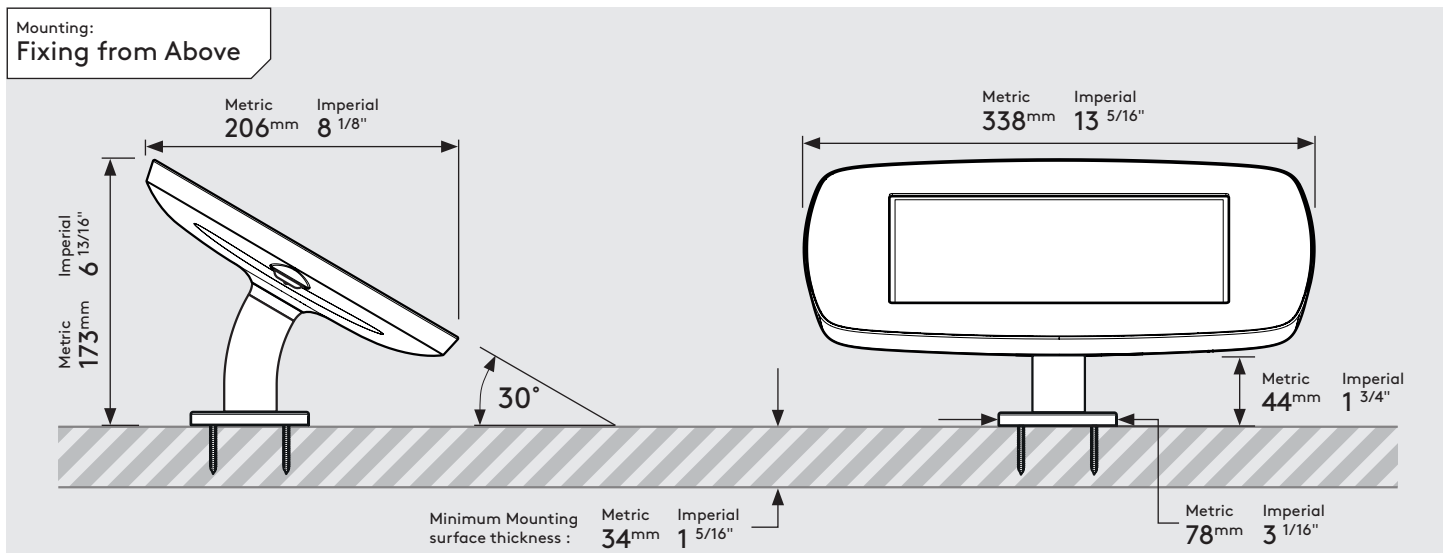
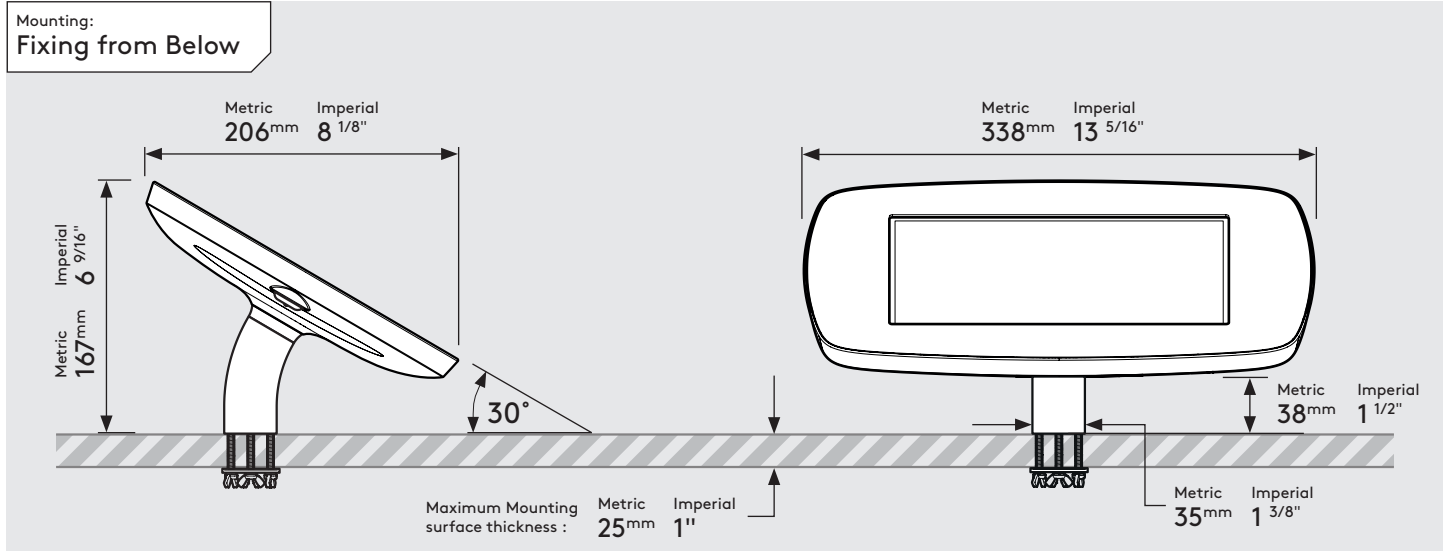
Case:	Arm:	Mounting:	Packaged weight:	Colour:
Midi	Desk	Fixing from below	1.84kg	White Black
		Fixing from Above		



PRODUCT DATA SHEET - DESK (MAXI CASE)

bouncepad[®]

Case:	Arm:	Mounting:	Packaged weight:	Colour:
Maxi	Desk	Fixing from below	2.07kg	White Black
		Fixing from Above		



PRODUCT DATA SHEET - DESK (MEGA CASE)

bouncepad®

Case: Mega **Arm:** Desk **Mounting:** Fixing from below
 Fixing from Above **Packaged weight:** 2.46kg **Colour:** White
 Black

