

## Swivel Desk

### Assembly Instructions

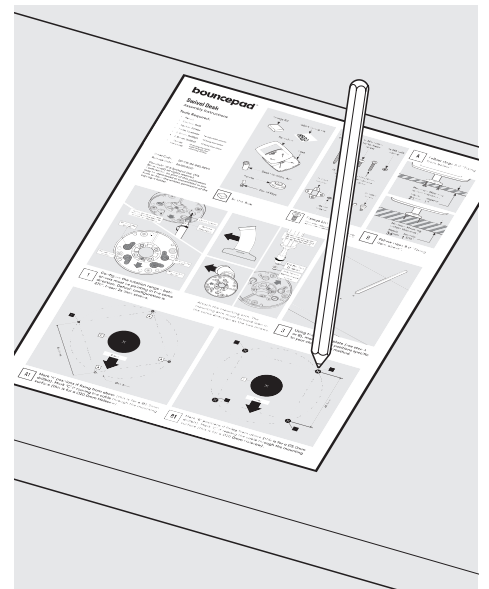
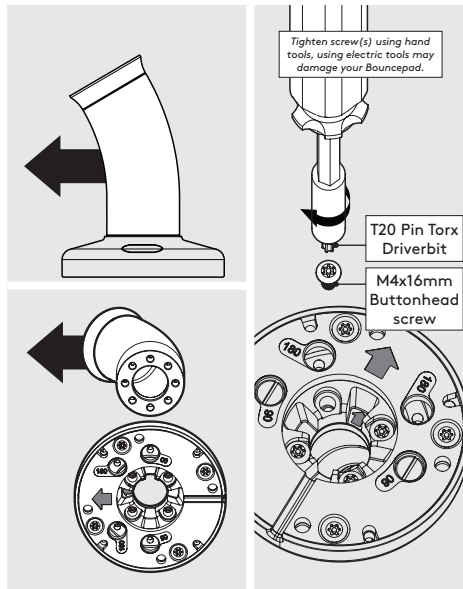
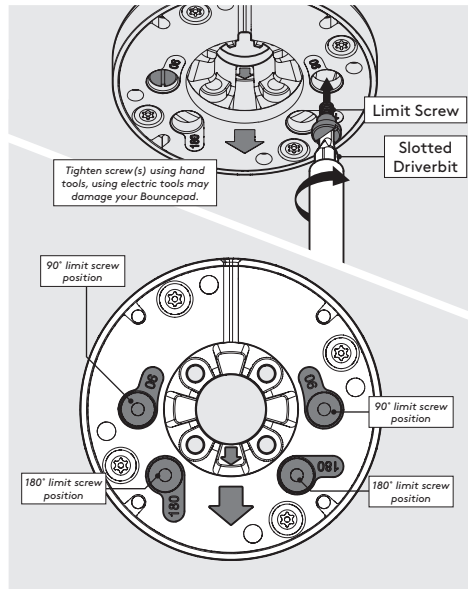
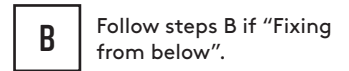
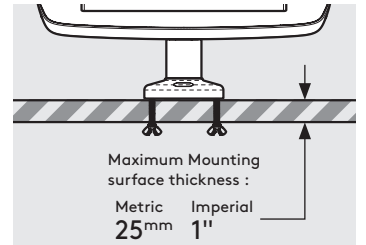
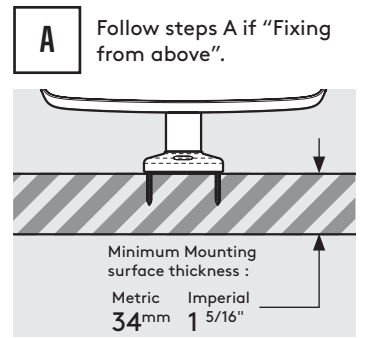
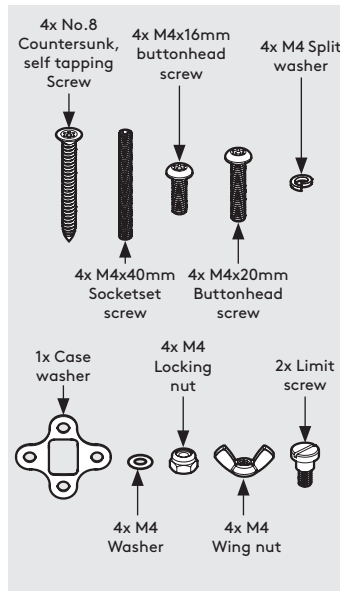
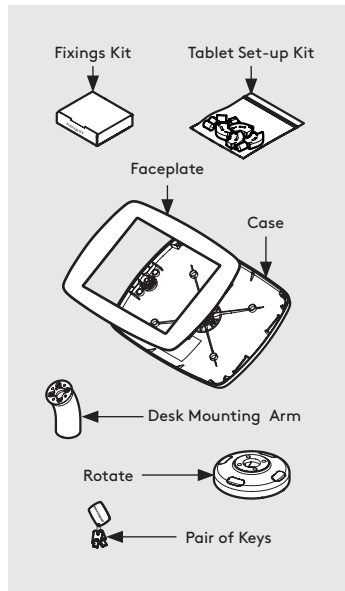
#### Tools Required:

- Pencil
- Electric Drill
- Socket Driver
- 7mm Spanner *\*or adjustable spanner*
- 5.0mm Drillbit *\*if fixing from below*
- 2.5mm Drillbit *\*if fixing from above*
- 16mm Holesaw *\*if routing the tablet cable through your mounting surface*

Sheet Code: BP-OR-IM-040\_REV1

Release Date: 26/09/2019

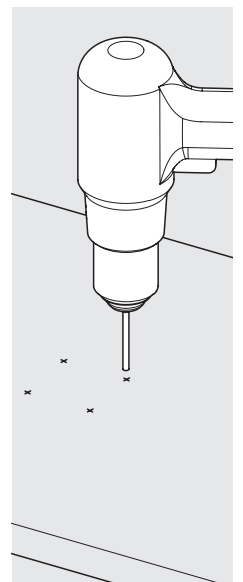
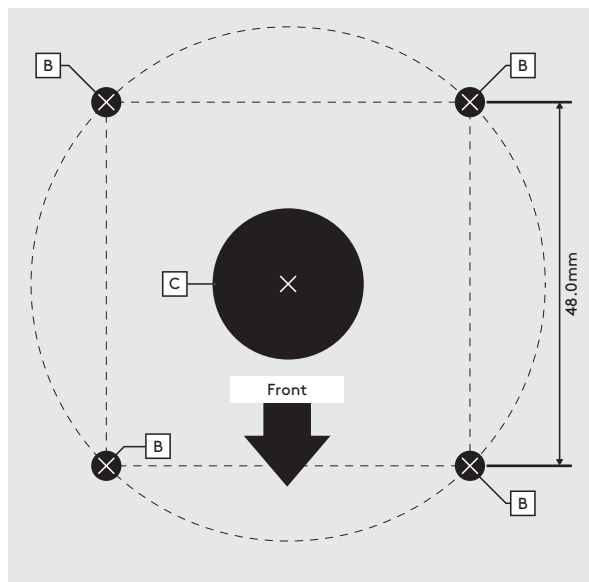
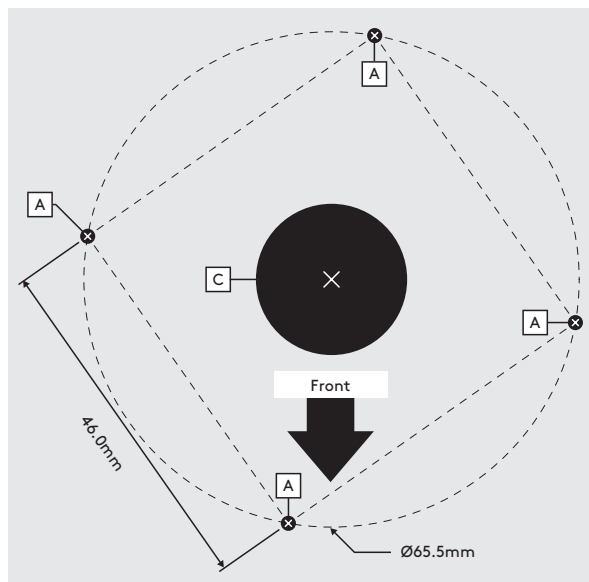
Copyright 2016 Spotspot Ltd. (T/A Bouncepad) all rights reserved. Confidential, no part of this publication may be reproduced or transmitted in any form without the written permission of the copyright holder.



**1** Configure the rotation range - both arrows must be pointing in the same direction. Default configuration is 270°. Insert 2x limit screws.

**2** Attach the mounting arm. The mounting arm must forward lean in the same direction as the two arrows.

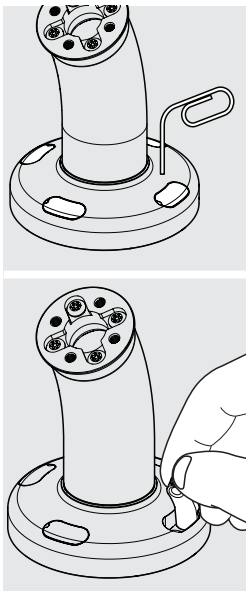
**3** Using the hole template (see step A or B), mark the hole positions specific to your chosen fixing method.



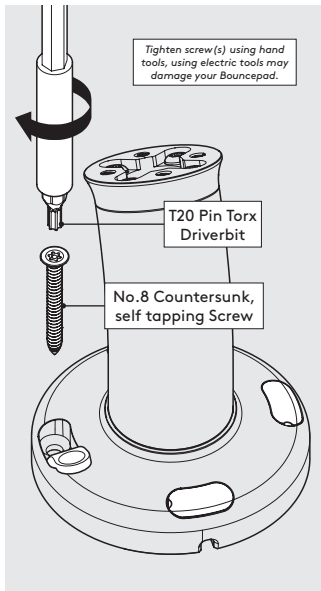
**A1** Mark 'A' positions for "Fixing from above" (Ø2.5mm drillbit). Mark 'C' for the cable hole. (Ø20.0mm Holesaw).

**B1** Mark 'B' positions for "Fixing from below" (Ø5.0mm drillbit). Mark 'C' for routing the cable hole. (Ø20.0mm Holesaw).

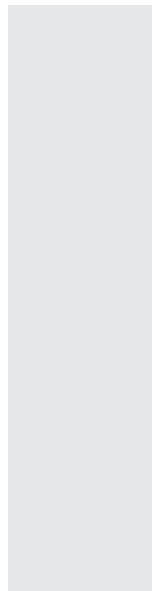
**4** Drill the required holes.



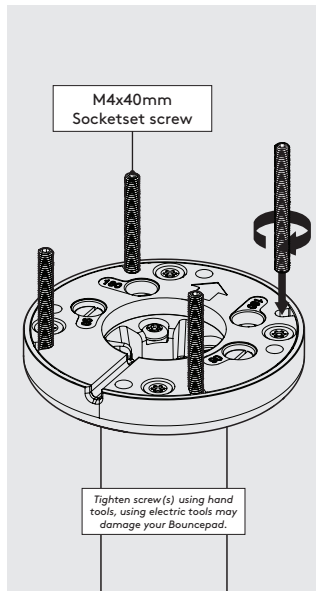
**A2** Lift & hold the rubber screw covers.



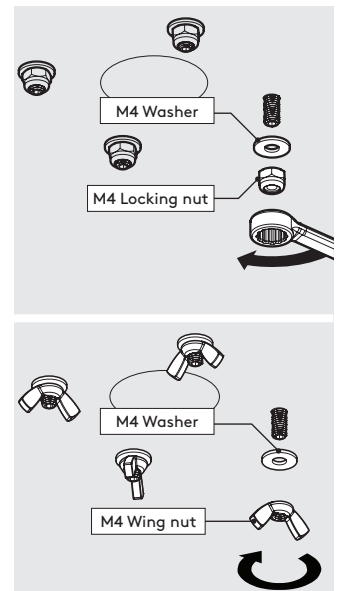
**A3** Secure the Rotate to the mounting surface, then close the covers.



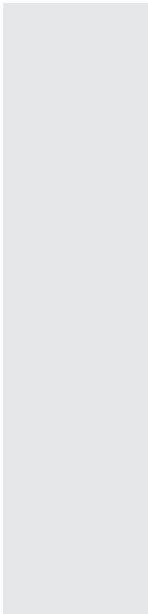
**A4** Go to step 5



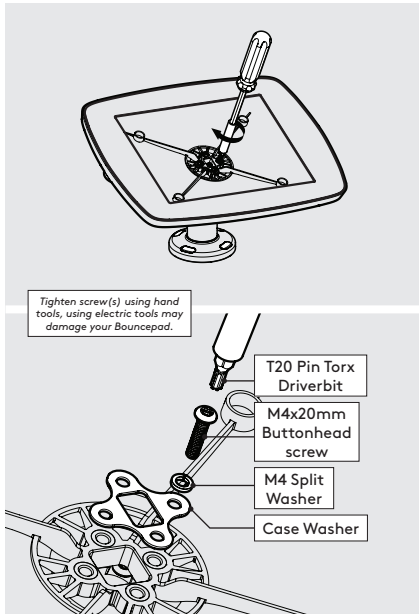
**B2** Screw in the 4x Socket Set Screws. Ensure full thread engagement.



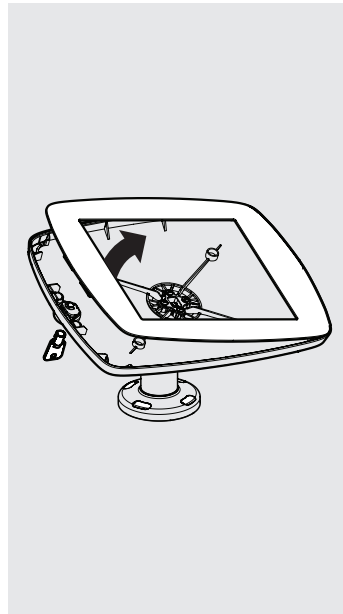
**B3** Secure to the surface. Locking nuts offer greater security.



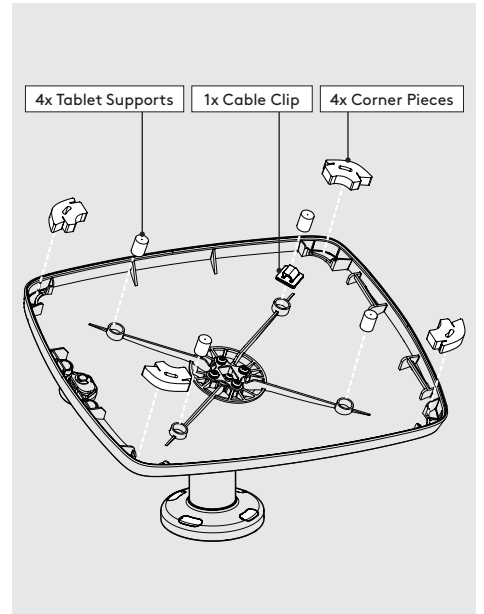
**B4** Go to step 5



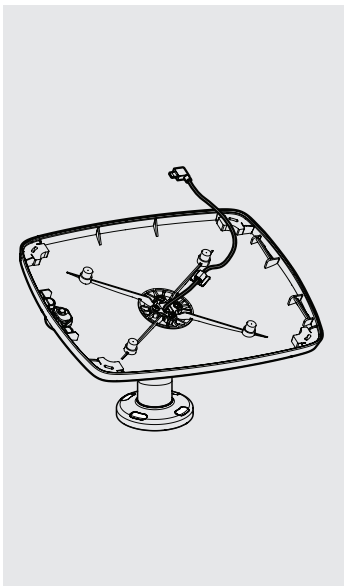
**5** Install your Case as shown.



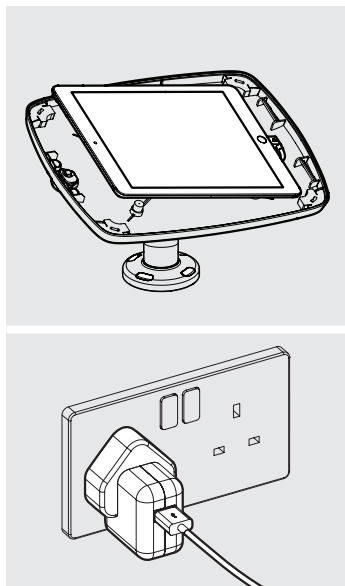
**6** Unlock & remove the Faceplate from the Bouncepad Case.



**7** Install the Tablet Setup Kit. Each kit is specific per tablet device and Bouncepad Case.



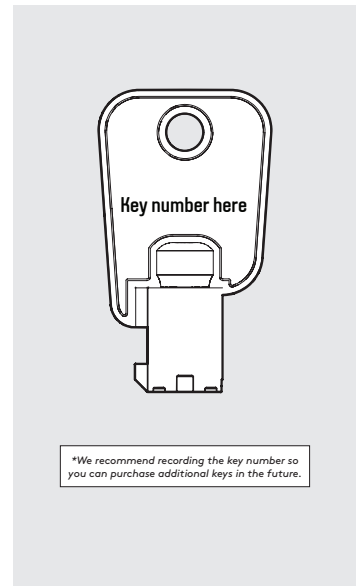
**8** Feed the tablet cable through the Case and mounting surface.



**9** Place the tablet into the Case and connect to power.



**10** Locate and lock the Faceplate to the Case.



**11** Installation is now complete.