

# AXIS C1110-E Network Cabinet Speaker

Flexible speaker with great sound

Bringing together performance and design, this stylish network cabinet speaker offers digital signal processing for clear voice messages, and rich bass sound ensures great background music. It's built on an open platform, supporting integration with VMS, VoIP telephony, analytics, and more. The built-in microphone enables remote health testing and 2-way communication with echo cancellation. AXIS Audio Manager Edge software comes preinstalled for easy management of users, content, zones, and scheduling. This all-in-one speaker system connects to the standard network using a single cable for power (PoE) and connectivity, and the easy-click mounting bracket supports installations on walls, ceilings, and poles.

- > **Stylish, flexible all-in-one speaker**
- > **Connects to the standard network**
- > **Easy installation with PoE**
- > **2-way audio with echo cancellation**
- > **Remote health testing**



# AXIS C1110-E Network Cabinet Speaker

## Audio hardware

<b>Enclosure</b>	Two-way bass-reflex type Speaker components: 4-inch dynamic cone speaker, 1.25-inch dome tweeter
<b>Max sound pressure level</b>	96 dB
<b>Frequency response</b>	60 Hz - 20 kHz
<b>Coverage pattern</b>	Horizontal speaker coverage 140° Vertical speaker coverage 90°
<b>Audio input/output</b>	Built-in microphone (can be disabled)
<b>Built-in microphone specification</b>	50 Hz - 12 kHz
<b>Amplifier description</b>	Built-in 7 W Class D amplifier
<b>Digital signal processing</b>	Built-in and pre-configured

## Audio management

<b>AXIS Audio Manager Edge</b>	Built in: <ul style="list-style-type: none"> <li>Content management for music and live/pre-recorded announcements.</li> <li>Scheduling to decide when and where to play specific content.</li> <li>Content prioritization to ensure urgent messages interrupt the schedule.</li> <li>Zone management allowing you to divide up to 200 speakers into 20 zones.</li> <li>Health monitoring for remote discovery of system errors.</li> <li>User management to control who has access to what features.</li> </ul> See separate datasheet for more details.
<b>AXIS Audio Manager Pro</b>	For larger and more advanced systems. Sold separately. See separate datasheet for specifications.
<b>AXIS Audio Manager Center</b>	AXIS Audio Manager Center is a cloud service for remote access and management of multi-site systems.

## Audio software

<b>Audio streaming</b>	One-way/two-way with optional full-duplex echo cancellation. Mono.
<b>Audio encoding</b>	AAC LC 8/16/32/48 kHz, G.711 PCM 8 kHz, G.726 ADPCM 8 kHz, Axis $\mu$ -law 16 kHz, WAV, MP3 in mono/stereo from 64 kbps to 320 kbps. Constant and variable bit rate. Sampling rate from 8 kHz up to 48 kHz.

## System on chip (SoC)

<b>Model</b>	NXP i.MX 8M Nano
<b>Memory</b>	1024 MB RAM, 1024 MB Flash

## Network

<b>Network protocols</b>	IPv4/v6 <sup>3</sup> , HTTP, HTTPS, SSL/TLS, QoS Layer 3 DiffServ, FTP, SFTP, CIFS/SMB, SMTP, Bonjour, UPnP™, SNMP v1/v2c/v3 (MIB-II), DNS, DynDNS, NTP, RTSP, RTP, TCP, UDP, IGMPv1/v2/v3, RTCP, ICMP, DHCP, ARP, SOCKS, SSH, NTCIP, SIP (Cisco, Avaya, Asterisk)
--------------------------	--

## System integration

<b>Application Programming Interface</b>	Open API for software integration, including VAPIX®. One-click cloud connection, AXIS Camera Application Platform (ACAP).
<b>VoIP</b>	Support for Session Initiation Protocol (SIP) for integration with Voice over IP (VoIP) systems. Peer to peer or integrated with SIP/PBX. Tested with: SIP client such as Cisco, Bria and Grandstream and PBX suppliers such as Cisco and Asterisk. Supported SIP features: secondary SIP server, IPv6, SRTP, SIPS, SIP TLS, DTMF (RFC2976 and RFC2833), NAT (ICE, STUN, TURN) Supported codecs: PCMU, PCMA, opus, L16/16000, L16/8000, speex/8000, speex/16000, G.726-32
<b>Health monitoring</b>	Auto Speaker Test (verification via built-in microphone)
<b>Event conditions</b>	Application

Audio: audio clip playing, speaker test result  
 Call: state, state change  
 Device status: IP address blocked, IP address removed, live stream active, network lost, new IP address, ring power overcurrent protection, system ready  
 Edge storage: recording ongoing, storage disruption, storage health issues detected  
 I/O: digital input is active, manual trigger, virtual input is active  
 Scheduled and recurring: schedule

<b>Event actions</b>	Audio: run automatic speaker test Audio clips: play, play while the rule is active, stop playing I/O: toggle I/O once, toggle I/O while the rule is active Light and siren: run light profile, run light profile while the rule is active, stop activities MQTT: send MQTT publish message Notifications: HTTP, HTTPS, TCP and email Recordings: record audio, record audio while the rule is active SNMP traps: send message, send message while the rule is active Status LED: flash, flash while the rule is active
----------------------	--

<b>Built-in installation aids</b>	Test tone verification and identification
-----------------------------------	---

## Approvals

<b>EMC</b>	CISPR 24, CISPR 35, CISPR 32 Class B, EN 55024, EN 55035, EN 55032 Class B, EN 61000-6-1, EN 61000-6-2, EN 61000-6-3, EN 61000-6-4 <b>Australia/New Zealand:</b> RCM AS/NZS CISPR 32 Class B <b>Canada:</b> ICES-3(B)/NMB-3(B) <b>Japan:</b> VCCI Class B <b>Korea:</b> KS C 9835, KS C 9832 Class B <b>USA:</b> FCC Part 15 Subpart B Class B
------------	---

<b>Safety</b>	CAN/CSA C22.2 No. 62368-1, CAN/CSA-C22.2 No. 60950-22, IEC/EN/UL 62368-1, IEC/EN/UL 60950-22, KC-Mark
---------------	---

<b>Environment</b>	IEC 60068-2-1, IEC 60068-2-2, IEC 60068-2-6, IEC 60068-2-14, IEC 60068-2-27, IEC 60068-2-78, IEC/EN 60529 IP44 <sup>b</sup> , Nema 250 3R
--------------------	---

<b>Cybersecurity</b>	ETSI EN 303 645
----------------------	-----------------

## Cybersecurity

<b>Edge security</b>	<b>Software:</b> Signed firmware, brute force delay protection, digest authentication and OAuth 2.0 RFC6749 OpenID Authorization Code Flow for centralized ADFS account management, password protection, AES-XTS-Plain64 256bit SD card encryption <b>Hardware:</b> Axis Edge Vault cybersecurity platform Secure element (CC EAL 6+), Axis device ID, secure keystore, secure boot
----------------------	---

<b>Network security</b>	IEEE 802.1X (EAP-TLS, PEAP-MSCHAPv2), IEEE 802.1AR, HTTPS/HSTS, TLS v1.2/v1.3, Network Time Security (NTS), X.509 Certificate PKI, host-based firewall
-------------------------	--

<b>Documentation</b>	<i>AXIS OS Hardening Guide</i> <i>Axis Vulnerability Management Policy</i> <i>Axis Security Development Model</i> AXIS OS Software Bill of Material (SBOM) To download documents, go to <a href="https://axis.com/support/cybersecurity/resources">axis.com/support/cybersecurity/resources</a> To read more about Axis cybersecurity support, go to <a href="https://axis.com/cybersecurity">axis.com/cybersecurity</a>
----------------------	---

## Sustainability

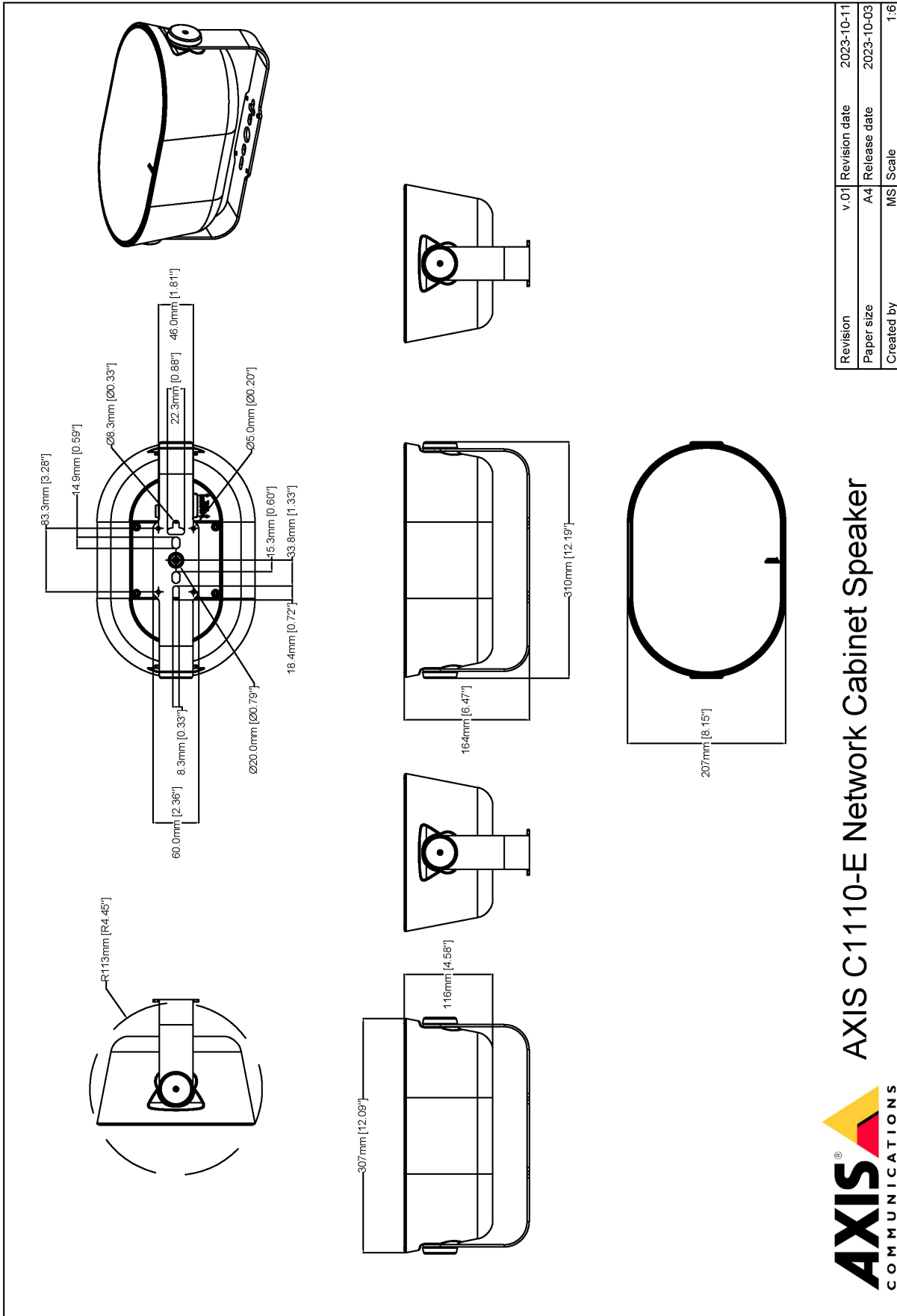
<b>Substance control</b>	PVC free, BFR/CFR free in accordance with JEDEC/ECA Standard JS709 RoHS in accordance with EU RoHS Directive 2011/65/EU and EN 63000:2018 REACH in accordance with (EC) No 1907/2006. For SCIP UUID, see <a href="https://echa.europa.eu">echa.europa.eu</a>
--------------------------	--

<b>Materials</b>	Renewable carbon-based plastic content: 51% (recycled: 0%, bio-based: 51%, carbon capture based: 0%) Screened for conflict minerals in accordance with OECD guidelines To read more about sustainability at Axis, go to <a href="https://axis.com/about-axis/sustainability">axis.com/about-axis/sustainability</a>
------------------	---

<b>Environmental responsibility</b>	<a href="https://www.axis.com/environmental-responsibility">axis.com/environmental-responsibility</a> Axis Communications is a signatory of the UN Global Compact, read more at <a href="https://unglobalcompact.org">unglobalcompact.org</a>
<b>General</b>	
<b>Casing</b>	Aluminium casing, IP44 rated Colors: white, black For repainting instructions, go to <a href="https://www.axis.com/products/axis-c1110-e/support">axis.com/products/axis-c1110-e/support</a> For information about the impact on warranty, go to <a href="https://www.axis.com/warranty-implication-when-repainting">axis.com/warranty-implication-when-repainting</a> .
<b>Power</b>	Power over Ethernet (PoE) IEEE 802.3af/802.3at Type 1 Class 3 (max 12.95 W)
<b>Connectors</b>	RJ45 10BASE-T/100BASE-TX PoE I/O: 4-pin 2.5 mm terminal block for 2x supervised configurable I/Os
<b>LED indicators</b>	Status LED, configurable front-facing RGB LED
<b>Storage</b>	Support for microSD/microSDHC/microSDXC card
<b>Reliability</b>	Designed for 24/7 operation.
<b>Operating conditions</b>	-30 °C to 50 °C (-22 °F to 122 °F) Humidity 10–100% RH (condensing)
<b>Storage conditions</b>	-40 °C to 65 °C (-40 °F to 149 °F) Humidity 5–95% RH (non-condensing)

<b>Dimensions</b>	Height: 207 mm (8.15 in) Width: 310 mm (12.2 in) Length: 165 mm (6.50 in)
<b>Weight</b>	4100 g (9.04 lbs)
<b>Box content</b>	Speaker, installation guide, terminal block connector, connector guard, cable gaskets, owner authentication key
<b>Optional accessories</b>	AXIS C8310 Volume Controller, AXIS Surveillance Cards For more accessories, see <a href="https://www.axis.com">axis.com</a>
<b>System tools</b>	AXIS Site Designer, AXIS Device Manager, product selector, accessory selector, lens calculator Available at <a href="https://www.axis.com">axis.com</a>
<b>Video management software</b>	AXIS Companion, AXIS Camera Station, video management software from Axis' Application Development Partners available on <a href="https://www.axis.com/techsup/software">axis.com/techsup/software</a>
<b>Languages</b>	English, German, French, Spanish, Italian, Russian, Simplified Chinese, Japanese, Korean, Portuguese, Polish, Traditional Chinese, Dutch, Czech, Swedish, Finnish, Turkish, Thai, Vietnamese
<b>Warranty</b>	5-year warranty, see <a href="https://www.axis.com/warranty">axis.com/warranty</a>

- a. *Audio synchronization with IPv4 only.*
- b. *If installed according to the installation guide.*



Revision	v.01	Revision date	2023-10-11
Paper size	A4	Release date	2023-10-03
Created by	MS	Scale	1:6

© 2023 Axis Communications

# AXIS C1110-E Network Cabinet Speaker

