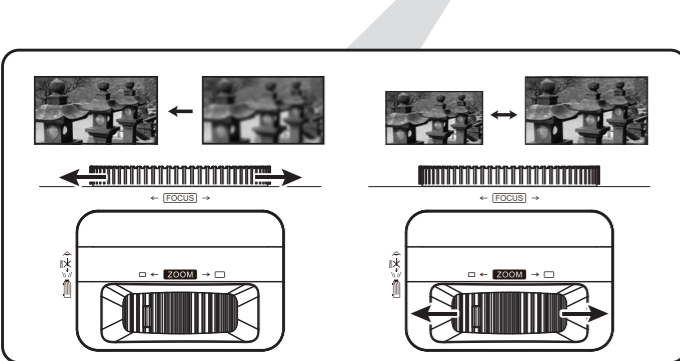
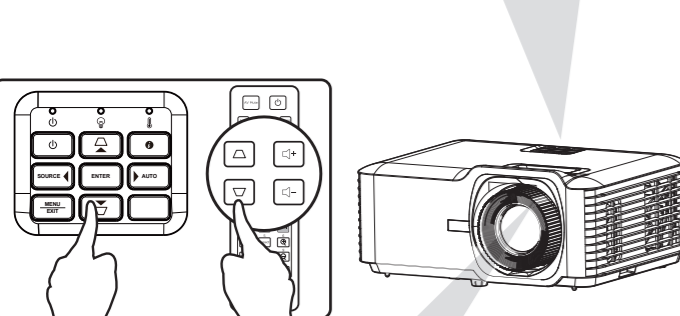
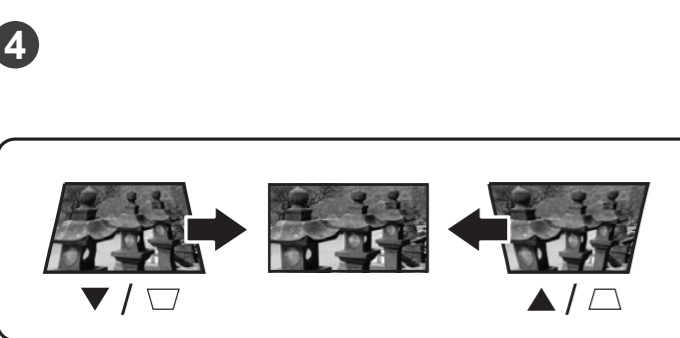
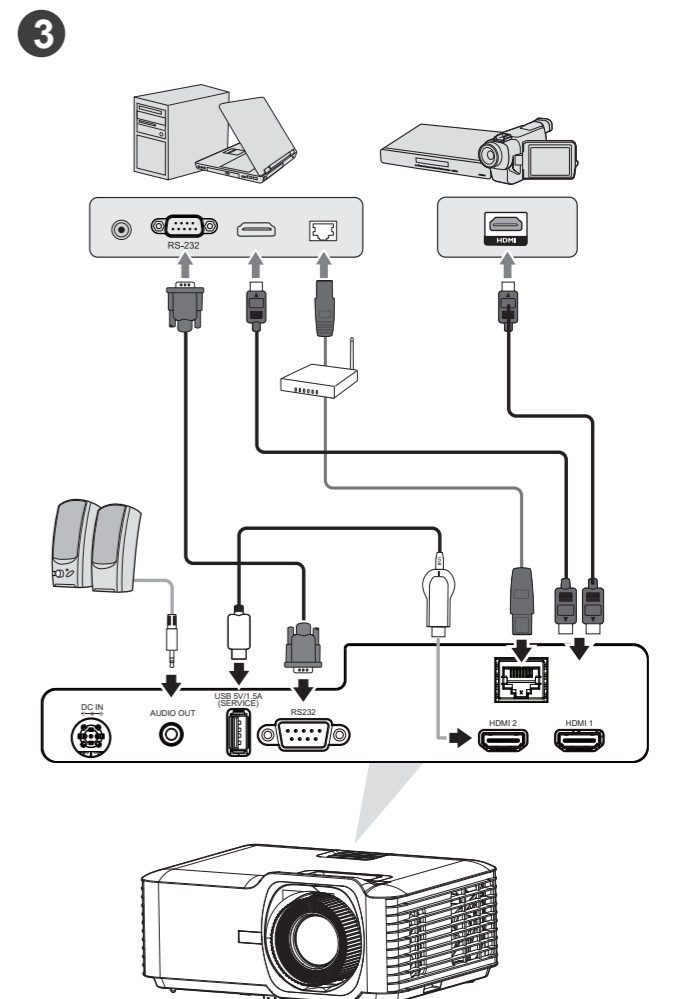
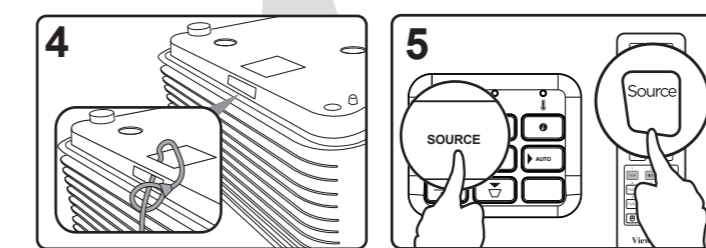
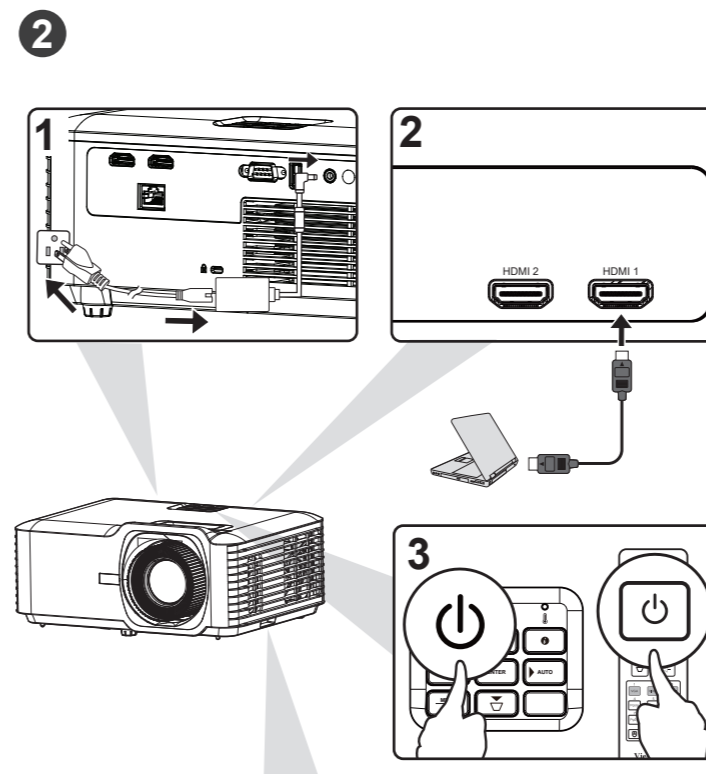
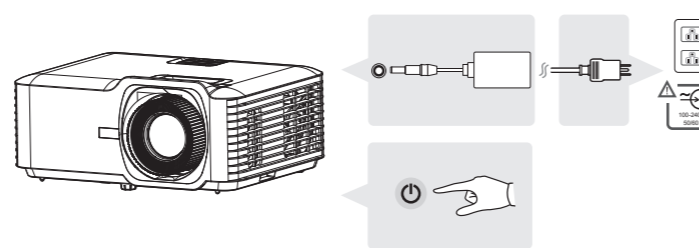
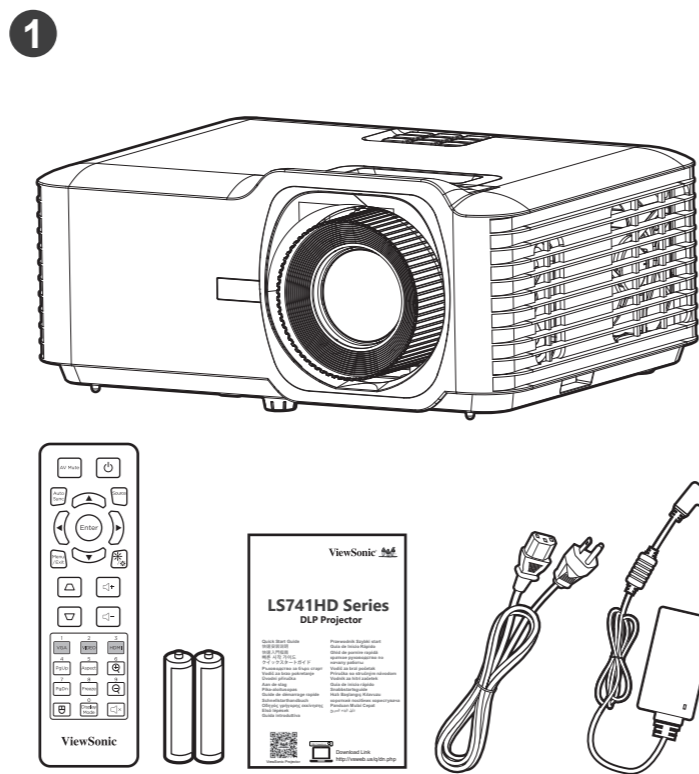


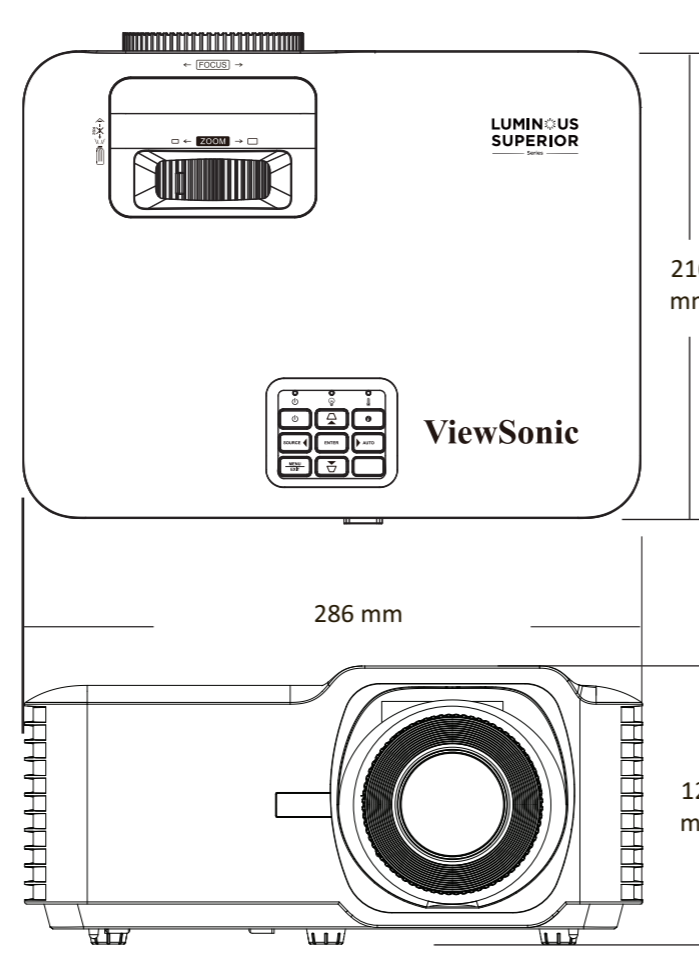
LS741HD Series DLP Projector

Quick Start Guide
快速安装说明
快速入門指南
빠른 시작 가이드
クイックスタートガイド
Ръководство за бърз старт
Vodič za brzo pokretanje
Úvodní příručka
Aan de slag
Pika-aloitusopas
Guide de démarrage rapide
Schnellstarthandbuch
Οδηγός γρήγορης εκκίνησης
Első lépések
Guida introduttiva

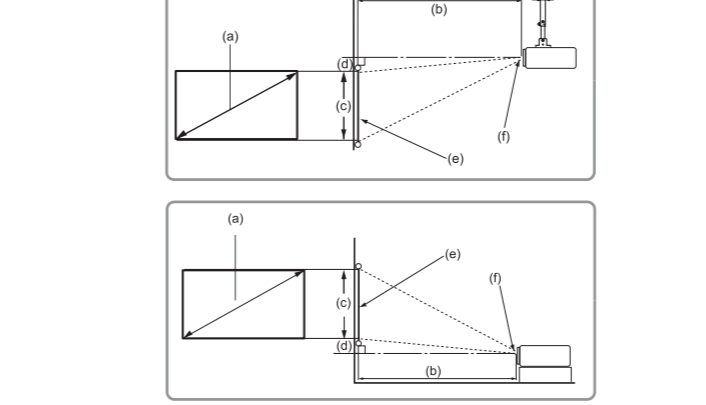
Przewodnik Szybki start
Guia de Início Rápido
Ghid de pornire rapidă
краткое руководство по началу работы
Vodič za brzi početak
Priručka so stručným návodom
Vodnik za hitri začetek
Guía de inicio rápido
Snabbstartsguide
Hızlı Başlangıç Kılavuzu
короткий посібник користувача
Panduan Mulai Cepat
دليل البدء السريع



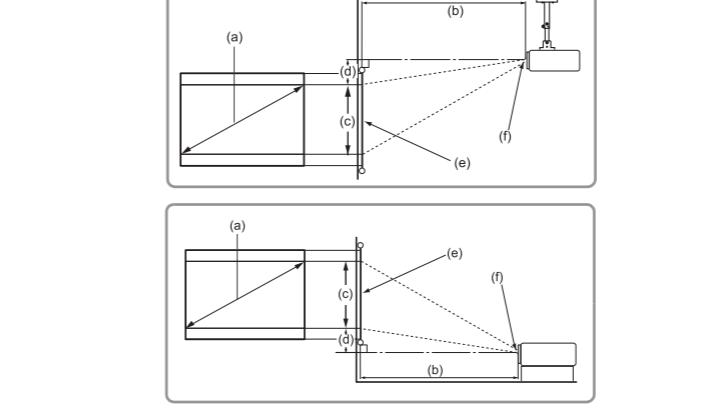
5 Mounting Screw: M4 x 8 (Max. L=8 mm)
Unit: mm



6 •16:9 image on a 16:9 screen



•16:9 image on a 4:3 screen



(e) = Screen
(f) = Center of Lens

(a) Screen Size		16:9 Image on a 16:9 Screen									
		(b) Projection distance				(c) Image height				(d) Vertical offset	
inch	mm	min.		max.		inch		mm		inch	mm
30	763	36.67	931	58.67	1490	14.73	374	2.35	60		
40	1016	48.81	1240	78.09	1984	19.61	498	3.14	80		
50	1270	61.01	1550	97.62	2479	24.51	623	3.92	100		
60	1524	73.21	1860	117.14	2975	29.42	747	4.71	120		
70	1778	85.41	2170	136.66	3471	34.32	872	5.49	139		
80	2032	97.62	2479	156.19	3967	39.22	996	6.28	159		
90	2286	109.82	2789	175.71	4463	44.12	1121	7.06	179		
100	2540	122.02	3099	195.23	4959	49.03	1245	7.84	199		
110	2794	134.22	3409	214.76	5455	53.93	1370	8.63	219		
120	3048	146.42	3719	234.28	5951	58.83	1494	9.41	239		
130	3302	158.63	4029	253.80	6447	63.73	1619	10.20	259		
140	3556	170.83	4339	273.33	6942	68.64	1743	10.98	279		
150	3810	183.03	4649	292.85	7438	73.54	1868	11.77	299		
200	5080	244.04	6199	390.47	9918	98.05	2491	15.69	398		
250	6350	305.05	7748	488.08	12397	122.57	3113	19.61	498		
300	7622	366.15	9300	585.84	14880	147.11	3737	23.53	598		

(a) Screen Size		16:9 Image on a 4:3 Screen									
		(b) Projection distance				(c) Image height				(d) Vertical offset	
inch	mm	min.		max.		inch		mm		inch	mm
30	763	34.16	868	54.66	1388	13.52	343	2.16	55		
40	1016	44.80	1138	71.68	1821	18.00	457	2.88	73		
50	1270	56.00	1422	89.60	2276	22.50	572	3.60	91		
60	1524	67.20	1707	107.52	2731	27.00	686	4.32	110		
70	1778	78.40	1991	125.44	3186	31.50	800	5.04	128		
80	2032	89.60	2276	143.36	3641	36.00	914	5.76	146		
90	2286	100.80	2560	161.28	4097	40.50	1029	6.48	165		
100	2540	112.00	2845	179.20	4552	45.00	1143	7.20	183		
110	2794	123.20	3129	197.12	5007	49.50	1257	7.92	201		
120	3048	134.40	3414	215.04	5462	54.00	1372	8.64	219		
130	3302	145.60	3698	232.96	5917	58.50	1486	9.36	238		
140	3556	156.80	3983	250.88	6372	63.00	1600	10.08	256		
150	3810	168.00	4267	268.80	6828	67.50	1715	10.80	274		
200	5080	224.00	5690	358.40	9103	90.00	2286	14.40	366		
250	6350	280.00	7112	448.00	11379	112.50	2858	18.00	457		
300	7622	336.00	8536	537.60	13655	135.00	3430	21.60	549		

It is recommended that if you intend to permanently install the projector, please physically test the projection size and distance using the actual projector in situ before you permanently install it.

