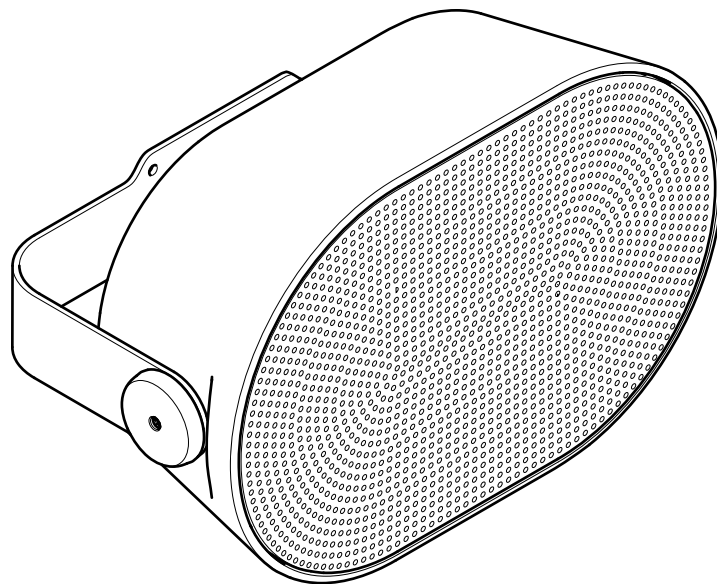


AXIS C11 Series

AXIS C1110-E Network Cabinet Speaker

AXIS C1111-E Network Cabinet Speaker



Repainting instructions

AXIS C11 Series

Impact on warranty

Impact on warranty

This product is approved for repaint by Axis, provided that you follow the instructions in this document and at axis.com/warranty-implication-when-repainting.

Risks with repainting

There are several risks when disassembling or assembling an Axis product. Training of operators and the use of correct tools mediates some of the problems but they can never be fully avoided. Some of the risks include:

ESD Damage – Always handle the product in an ESD safe environment. Even if precautions are taken there is always a risk of ESD damage. The damage can remain undetected and cause problems during the lifetime of the equipment.

Paint overspray – Masking the different components of the equipment is critical. Failure to mask sensitive areas can cause problems when assembling the equipment. Areas not painted at the factory or which have a different surface treatment than the parts to be painted (threads, ground and electrical contact surfaces) must also be masked to ensure function.

AXIS C11 Series

Repaint the product

Repaint the product

Preparations

- If applicable, disassemble the device according to the instructions in this document.
- Clean all parts that will be repainted thoroughly to remove grease, dust, or oil.
- To ensure reassembly and functionality of the product, mask any openings (for example for screws, LED indicators, or microphones) before you paint.

Pretreatment of parts

Depending on the part material and type of coating applied at the factory, pretreatment might be necessary for the new coating to adhere well. Before you apply a new coating, we recommend the following pretreatment:

1. If necessary, roughen up the surface with a light sandpaper or similar to increase adhesion. Alternatively, remove the original coating down to the base material.
2. Clean the parts properly to remove oil, grease, and dust.
3. If necessary, apply a primer layer suitable for the specific material, to increase adhesion to the parts. For metal parts on outdoor products, we recommend a primer to improve corrosion resistance.

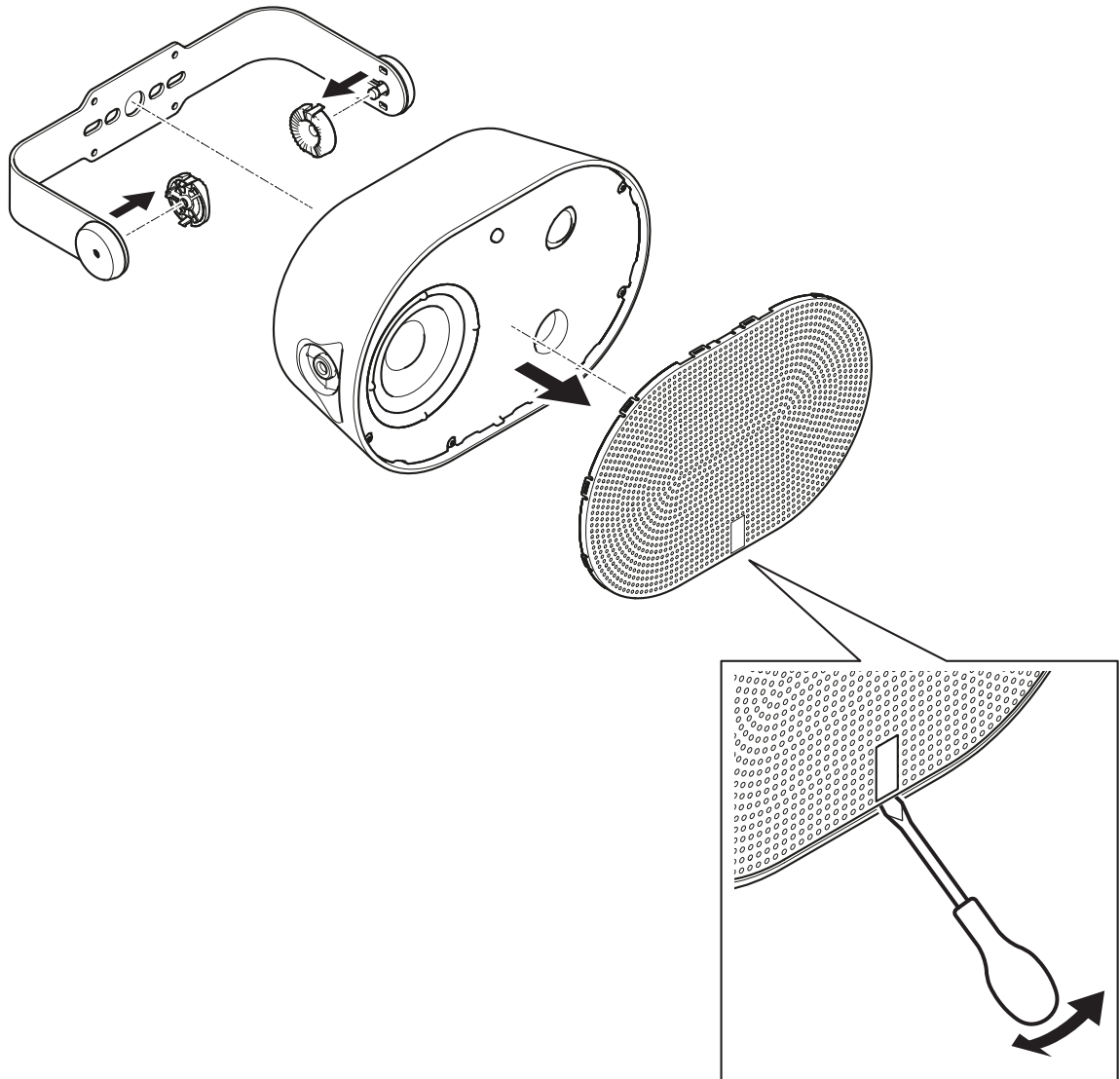
We recommend pretreatment of parts that are:

- powder-coated
- wet-painted
- anodised
- chromated
- stainless steel
- other metal
- plastic

AXIS C11 Series

Repaint the product

Disassembly

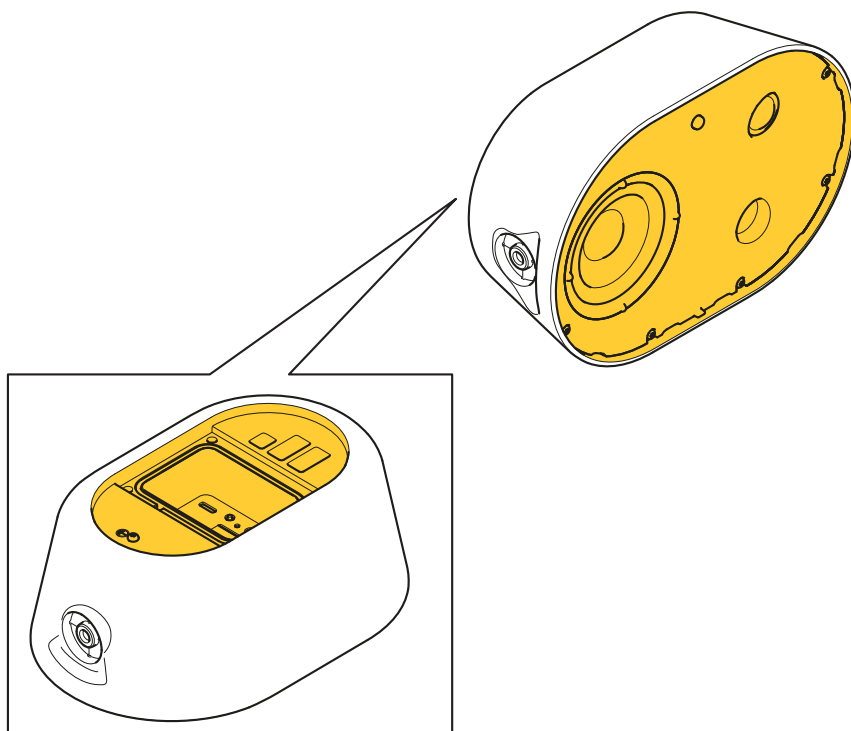


1. Disconnect the speaker from the bracket.
2. Disconnect the bracket from the wall.
3. Remove the mesh from the speaker by using a small and flat-headed screwdriver where the Axis logo is located.

AXIS C11 Series

Repaint the product

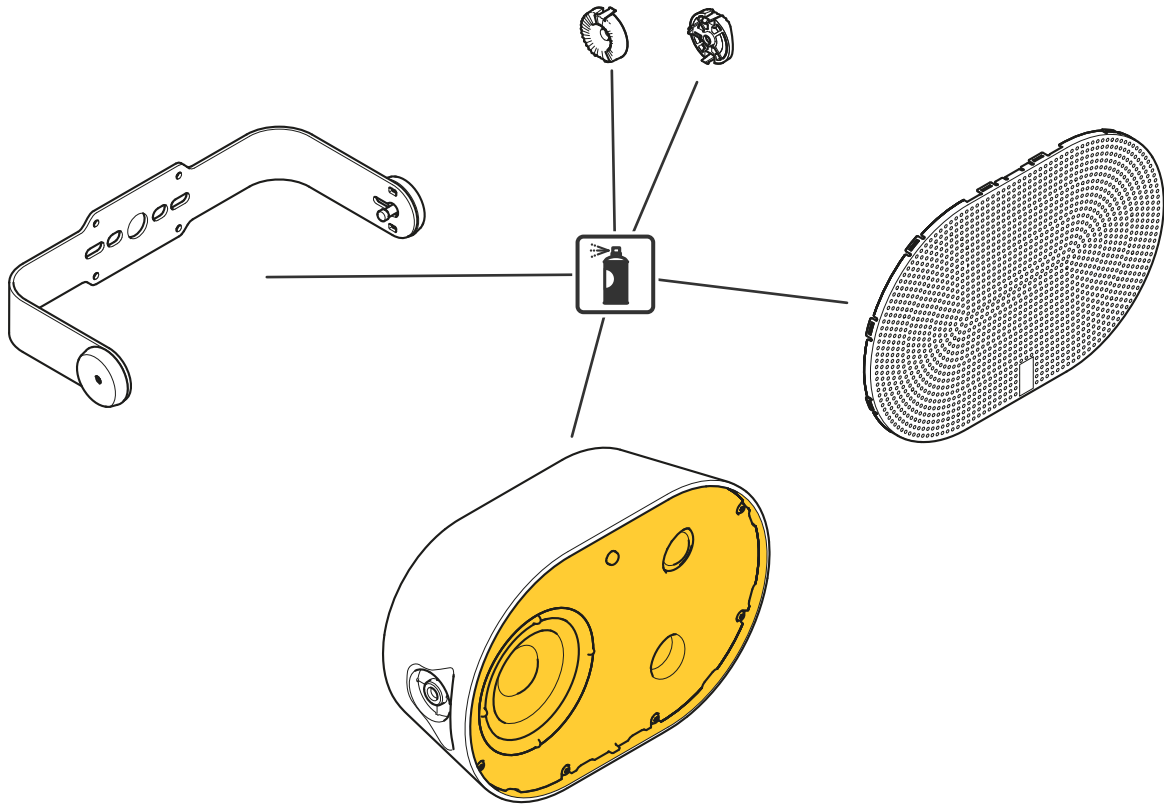
Repainting



1. Cover the sensitive parts of the front and back of the speaker.

AXIS C11 Series

Repaint the product



1. Apply a thin and even layer of spray paint according to the instructions of the paint manufacturer.

▲CAUTION

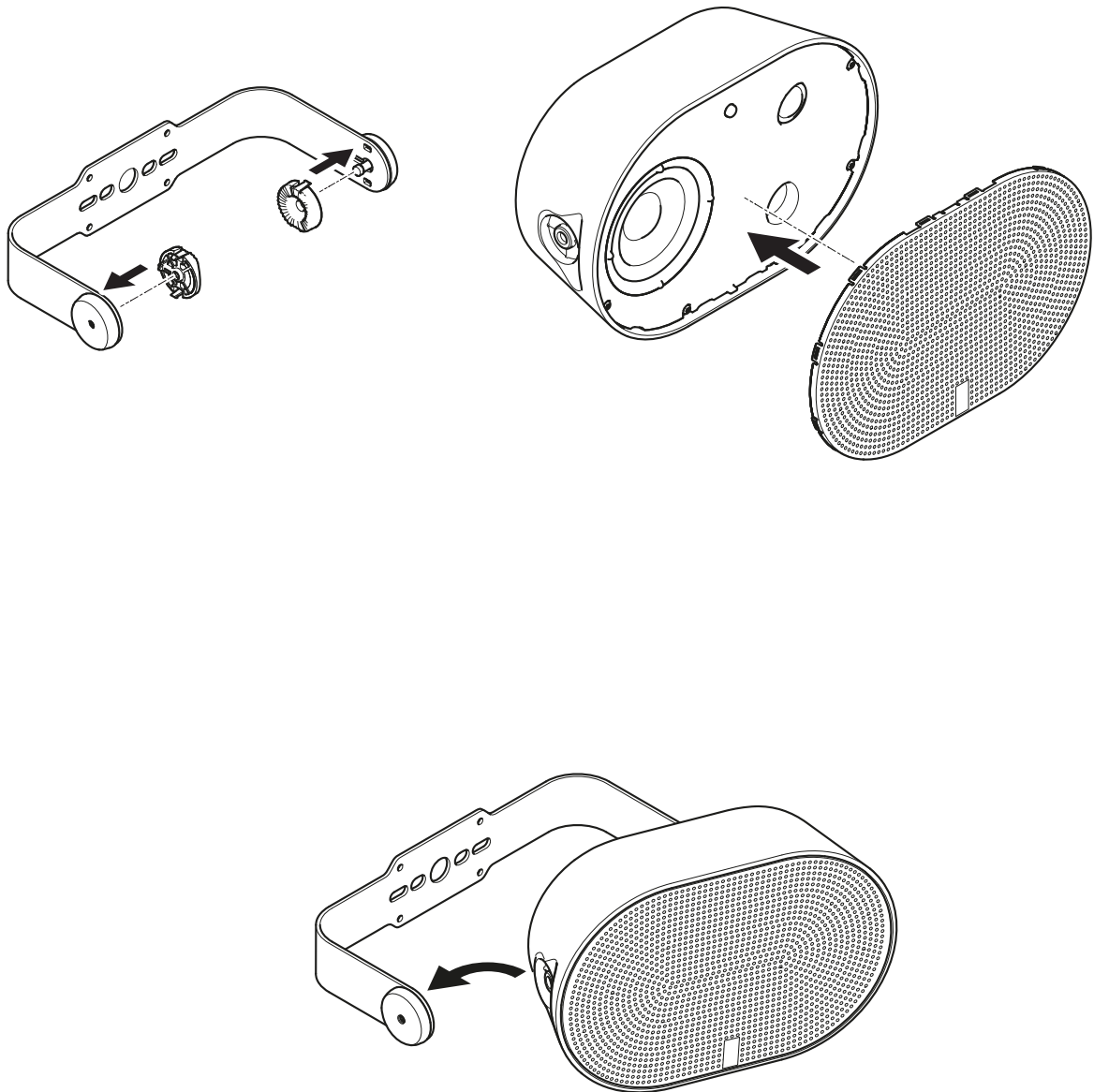
Make sure the paint does not clog the holes of the mesh cover.

2. Let the paint dry.
3. To get a better coverage and clearer color, apply a second layer of spray paint.

AXIS C11 Series

Repaint the product

Reassembly



1. When the paint is dry, reassemble the product.

