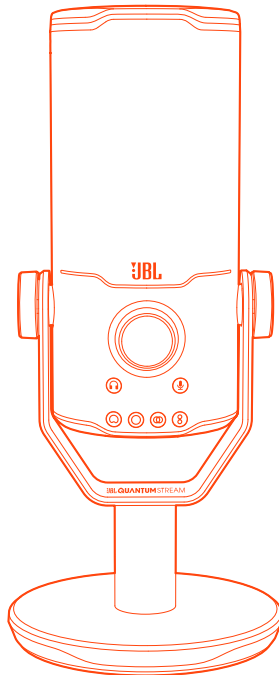




JBL QUANTUM

Stream Studio



OWNER'S MANUAL

TABLE OF CONTENTS

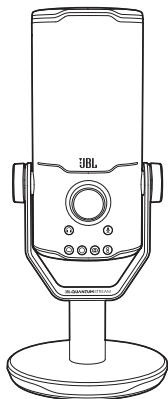
INTRODUCTION	1
WHAT'S IN THE BOX.....	2
PRODUCT OVERVIEW	3
GETTING STARTED.....	4
System compatibility	4
Connecting USB power cable	4
Connecting a monitoring headphone	5
First time setup on PC	6
First time setup on Mac.....	7
USING YOUR MICROPHONE	8
Selecting a polar pattern	8
Positioning.....	9
Mute/unmute.....	9
Headphone volume/microphone gain.....	10
Audio/voice monitor.....	11
MOUNTING OPTIONS	12
Mic mount with 5/8" male screw	12
Mic mount with 5/8" female screw.....	13
Mic mount with 1/4" male screw	14
Mic mount with 1/4" female screw.....	15
Shock mount for 2.2" diameter microphones.....	16
PRODUCT SPECIFICATIONS.....	17
TROUBLESHOOTING	18

INTRODUCTION

Congratulations on your purchase! This manual includes information on the JBL Quantum Stream Studio microphone. We encourage you to take a few minutes to read this manual, which describes the product and includes step-by-step instructions to help you to set up and get started. Read and understand all the safety instructions before using your product.

If you have any questions about this product or its operation, please contact your retailer or customer service, or visit us at www.JBLQuantum.com

WHAT'S IN THE BOX



01



02



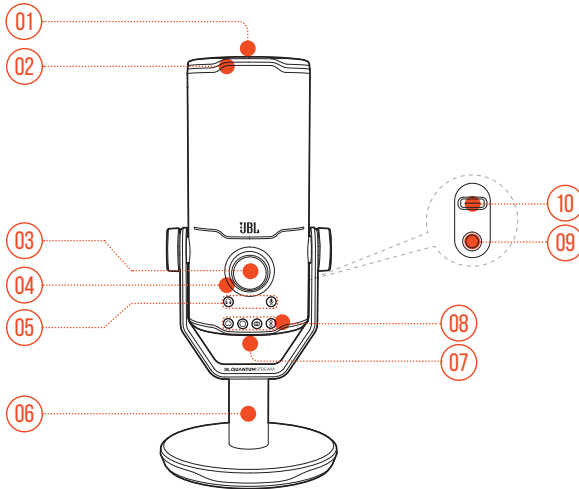
03

01 JBL Quantum Stream Studio microphone

02 USB power cable (USB-A to USB-C)

03 QSG, warranty card and safety sheet

PRODUCT OVERVIEW



01

- Mutes or unmutes the microphone.

02 Ring LED (RGB lighting + mute/unmute indicator)

03 Volume knob

- Adjusts headphone volume, microphone gain, or audio/voice monitor.

04 Volume indicator (headphone | microphone | audio/voice monitor | VU meter)

05 Mode indicators (headphone | microphone | audio/voice monitor)

06 Microphone stand

07 Polar pattern button

08 Polar pattern indicators (cardioid/omnidirectional/stereo/bidirectional)

09 3.5 mm headset port

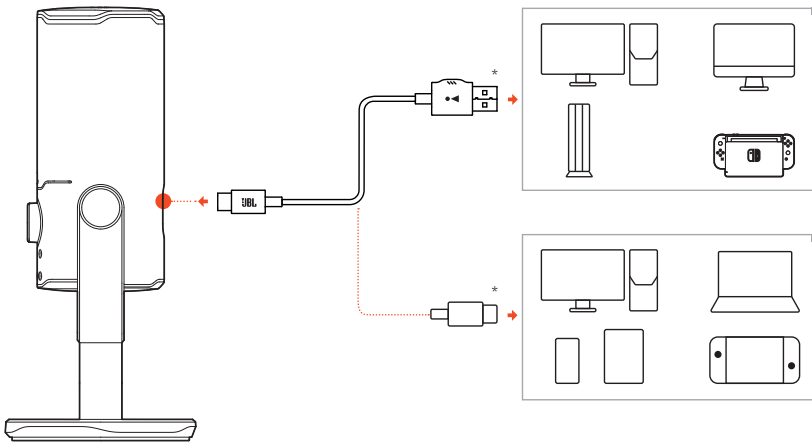
10 USB-C port

GETTING STARTED

SYSTEM COMPATIBILITY

- PC and Mac (desktop or laptop) with USB-A or USB-C ports
- Mobile devices with USB-C ports
- PlayStation™: PS4/PS5 console with USB-A port
- Nintendo Switch™ with USB-C port and Nintendo Switch™ console with USB-A port

CONNECTING USB POWER CABLE

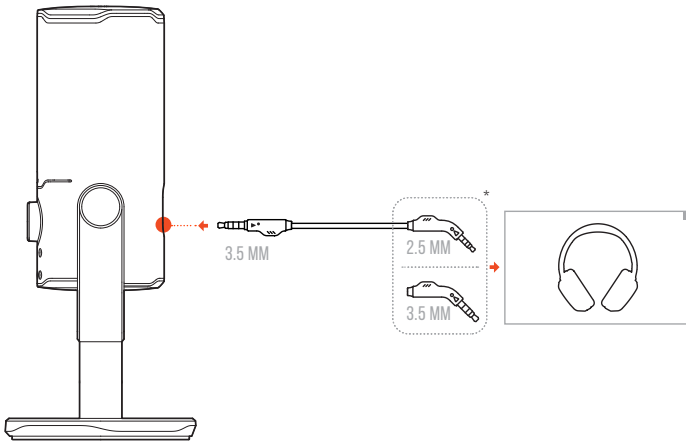


1. Connect the USB-C connector to your microphone.
 2. Connect the USB-A connector to your PC, Mac, PS4/PS5 console or Nintendo Switch™ console.
- You can also use a USB-C to USB-C cable to connect the microphone to compatible devices.
 - ↳ The microphone powers on.

NOTES:

- For best performance, use the original cable. Third-party USB cables may not work with all models of said devices.
- USB-C to USB-C cable is not included by-pack. Connectivity with USB-C may not work with all models of said devices.

CONNECTING A MONITORING HEADPHONE



1. Connect a 3.5mm to 3.5mm cable or a 3.5mm to 2.5mm cable to the headphone port on the microphone.
2. Connect the other end to a monitoring headphone.
 - ↳ You can hear sounds from the microphone and the connected device (PC, Mac, etc.).

NOTE:

- The audio cable is not included by-pack.

FIRST TIME SETUP ON PC

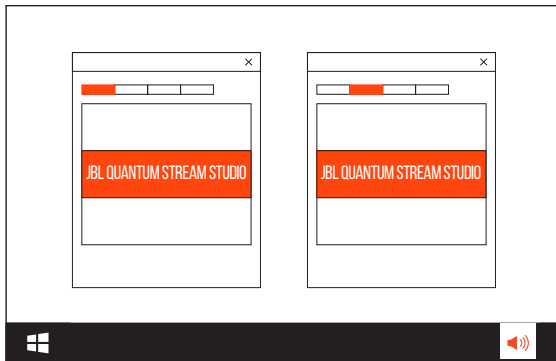
Download **JBL QuantumENGINE** from www.jblquantum.com/engine to gain full access to features on your JBL Quantum Stream Studio, such as EQ settings, polar pattern selection, audio/voice monitor and lighting customization.

SOFTWARE REQUIREMENTS

Platform: Windows 10 (64 bit only) / Windows 11

500MB of free hard drive space for installation

1. Connect the microphone to your PC via USB connection.
2. Go to **"Sound Settings"** -> **"Sound Control Panel"**.
3. Under **"Playback"** highlight **"JBL Quantum Stream Studio"** and select **"Set Default"** -> **"Default Device"**.
4. Under **"Recording"** highlight **"JBL Quantum Stream Studio"** and select **"Set Default"** -> **"Default Device"**.
5. Follow the onscreen instructions to personalize your sound settings.

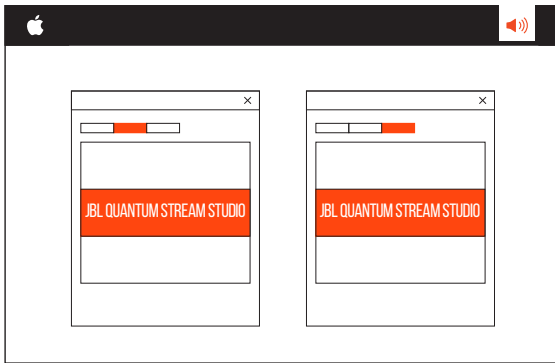


NOTE:

- By default, all sounds will be played through the JBL Quantum Stream Studio microphone and heard through a headphone connected to it. To hear sound from the PC directly, select the PC sound card as the default device.

FIRST TIME SETUP ON MAC

1. Connect the microphone to your Mac via USB connection.
2. Go to the Apple menu and select **“System Preferences”**.
3. Under **“Output”** select **“JBL Quantum Stream Studio”** for sound output.
4. Under **“Input”** select **“JBL Quantum Stream Studio”** for audio input.
5. Follow the onscreen instructions to personalize your sound settings.

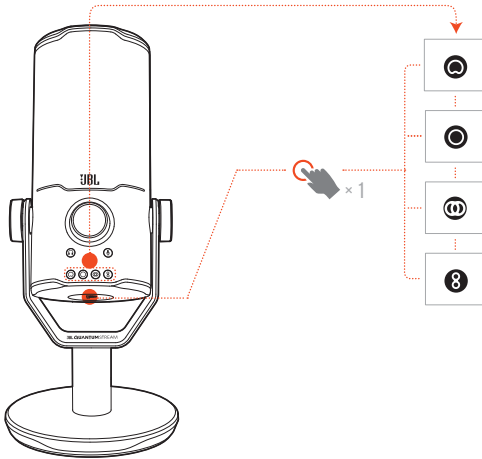


NOTE:

- By default, all sounds will be played through the JBL Quantum Stream Studio microphone and heard through a headphone connected to it. To hear sound from the Mac directly, select the built-in speakers.





USING YOUR MICROPHONE

SELECTING A POLAR PATTERN





The polar pattern defines a microphone's sound pickup sensitivity related to its angle and directions. Select an appropriate polar pattern according to your recording needs.

- Press the polar pattern button to switch among cardioid (default), omnidirectional, stereo, and bidirectional.

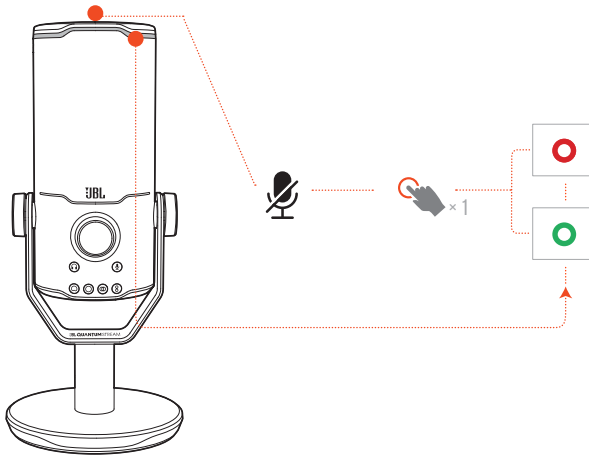
Polar pattern	Applicable scenarios
 Cardioid	Individual podcasts, gaming, streaming, voiceovers, instruments, etc.
 Omnidirectional	Multi-person podcasts, conference calls, streaming, voiceovers, etc.
 Stereo	Vocals, instruments, orchestras, etc.
 Bidirectional	Interviews, vocal and instrumental duets, etc.


POSITIONING



For optimal performance, speak towards the side instead of the top of the microphone.

Recommended	Not recommended
	

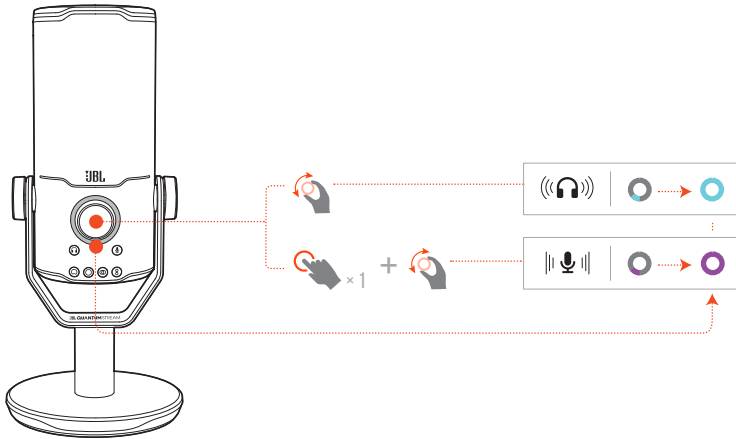
MUTE/UNMUTE



- Press  on the top to mute or unmute the microphone.

Ring LED color	Microphone status
	RGB lighting on, microphone muted.
	RGB lighting on, microphone unmuted.

HEADPHONE VOLUME/MICROPHONE GAIN



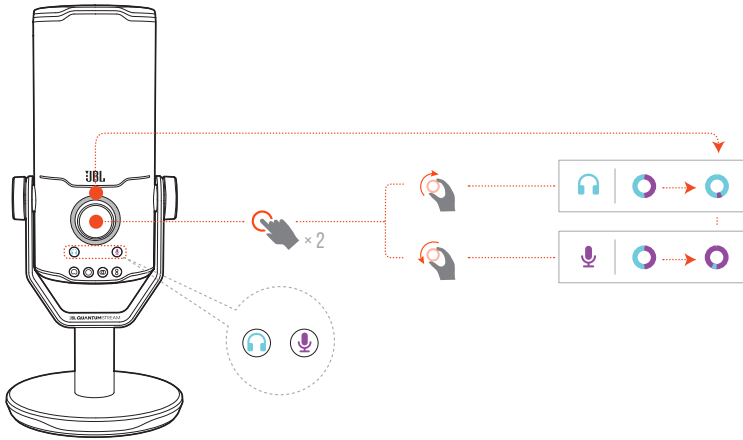
To adjust the headphone volume:

- Rotate the volume knob clockwise or counterclockwise.
 - ↳ The volume indicator lights up in teal and changes when you adjust the headphone volume.
 - ↳ The volume indicator flashes twice in teal when the maximum or the minimum headphone volume is reached.

To adjust the microphone gain:

- Press the volume knob once, then rotate it clockwise or counterclockwise.
 - ↳ The volume indicator lights up in purple and changes when you adjust the microphone gain.
 - ↳ The volume indicator flashes twice in purple when the maximum or the minimum microphone gain is reached.

AUDIO/VOICE MONITOR



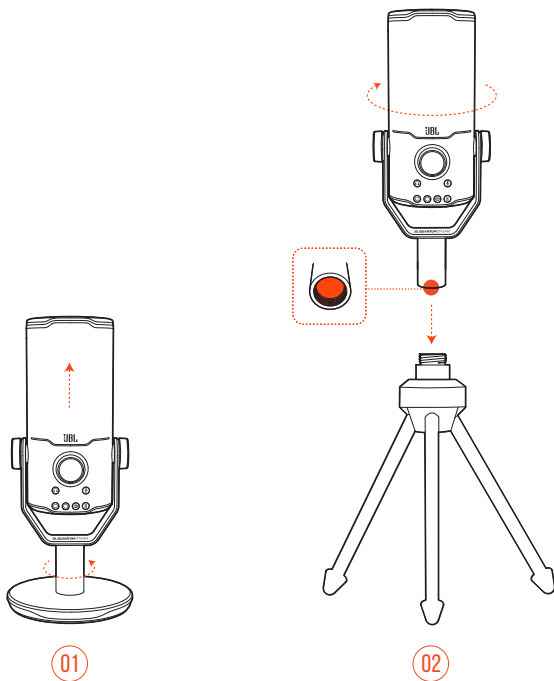
To adjust the audio/voice monitor:

- Press the volume knob twice, then rotate it clockwise or counterclockwise.
 - ↳ The volume indicator lights up as a two-tone ring. The ring's color ratio changes as you adjust the audio/voice monitor.

MOUNTING OPTIONS

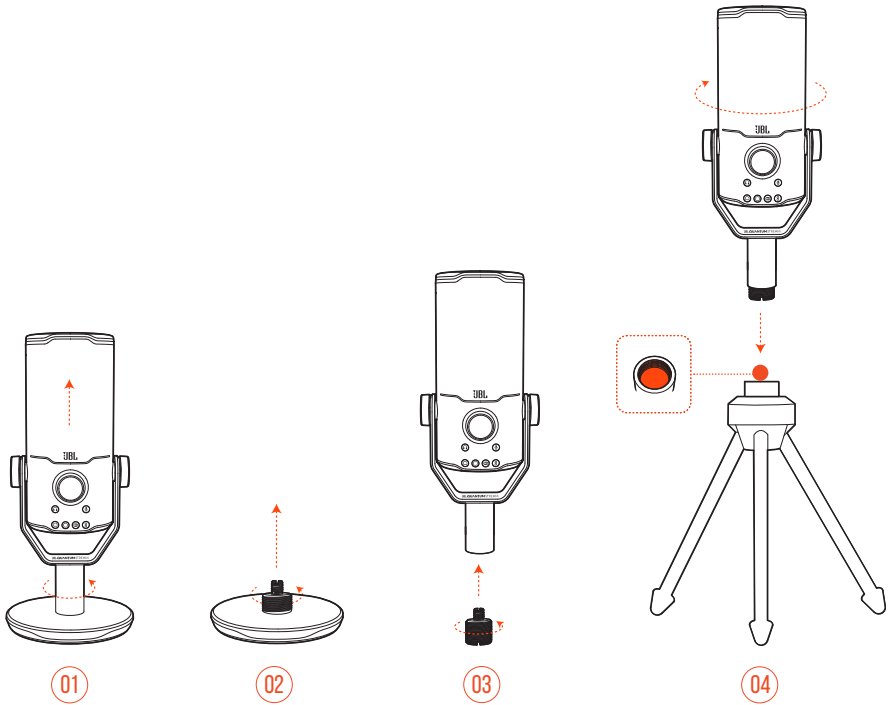
You can either place the microphone on an even surface directly or mount it with compatible accessories (not included).

MIC MOUNT WITH 5/8" MALE SCREW



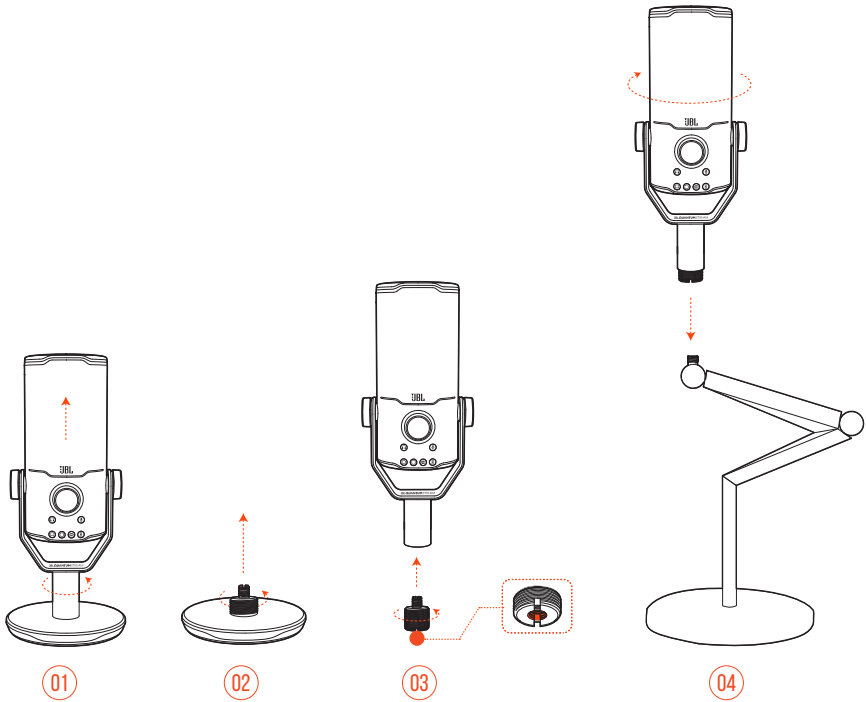
1. Detach the microphone and the clamp from the round base to expose the 5/8" (15.88 mm) female thread.
2. Attach the microphone and the clamp onto a mic mount (a tripod, a boom arm, etc.) with 5/8" (15.88 mm) male screw securely.

MIC MOUNT WITH 5/8" FEMALE SCREW



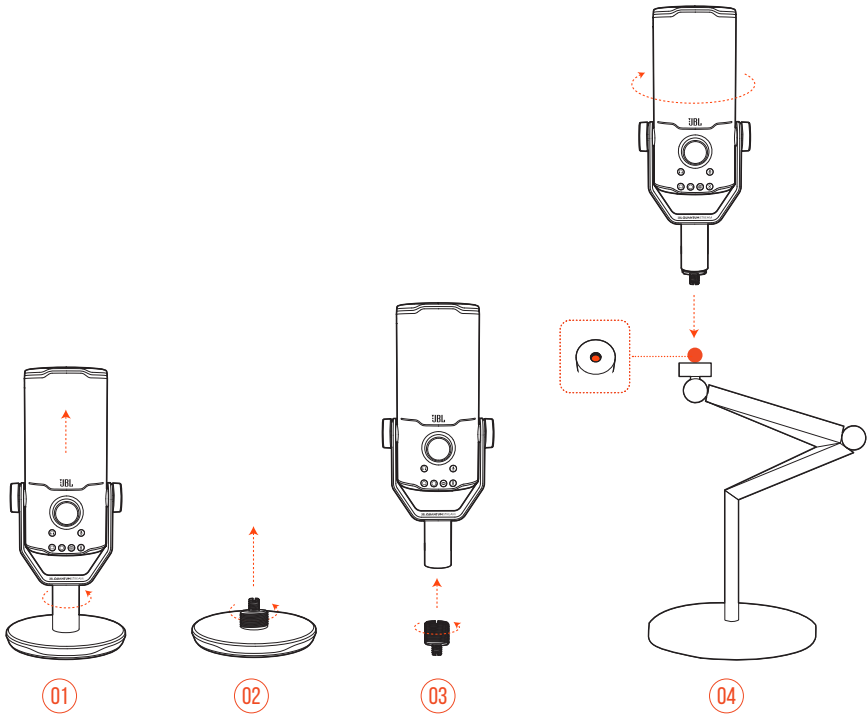
1. Detach the microphone and the clamp from the round base.
2. Detach the screw adapter from the round base.
3. Attach the screw adapter to the clamp with the 5/8" (15.88 mm) male thread exposed.
4. Attach the microphone and the clamp onto a mic mount (a tripod, a boom arm, etc.) with 5/8" (15.88 mm) female screw securely.

MIC MOUNT WITH 1/4" MALE SCREW



1. Detach the microphone and the clamp from the round base.
2. Detach the screw adapter from the round base.
3. Attach the screw adapter to the clamp with the 1/4" (6.35 mm) female thread exposed.
4. Attach the microphone and the clamp onto a mic mount (a tripod, a boom arm, etc.) with 1/4" (6.35 mm) male screw securely.

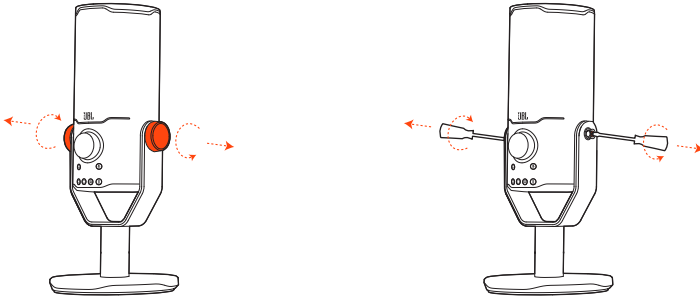
MIC MOUNT WITH 1/4" FEMALE SCREW



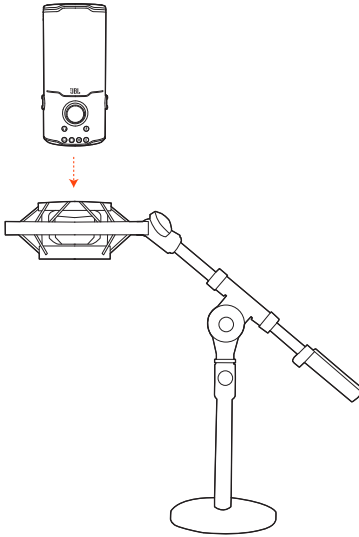
1. Detach the microphone and the clamp from the round base.
2. Detach the screw adapter from the round base.
3. Attach the screw adapter to the clamp with the 1/4" (6.35 mm) male thread exposed.
4. Attach the microphone and the clamp onto a mic mount (a tripod, a boom arm, etc.) with 1/4" (6.35 mm) female screw securely.

SHOCK MOUNT FOR 2.2" DIAMETER MICROPHONES

01



02



1. Detach the microphone from the clamp and the round base.
2. Attach the microphone onto a shock mount supporting 2.2" (55 mm) diameter microphones securely.

PRODUCT SPECIFICATIONS

MICROPHONE

- Power required/consumption: 5 V \approx 500 mA
- Sample rates: 44.1 kHz / 48 kHz / 96 kHz / 192 kHz
- Bit rate: 16 / 24 bit
- Capsules: 3 * 14 mm Electret Condenser Microphone
- Polar patterns: Cardioid, omnidirectional, stereo, bi-directional
- Frequency response: 50 Hz - 16 kHz
- Sensitivity: -37 ± 3 dB (1 kHz@1 Pa, 0 dB = 1 v/Pa)
- Maximum SPL: 110 dB

HEADPHONE AMPLIFIER

- Impedance: 16 ohms / 32 ohms
- Power output (RMS): 42 mWrms per channel (Load = 32 ohms)
- THD: <0.5% (Load = 32 ohms)
- Frequency response: 20 Hz - 20 kHz
- Signal to noise: 92 dB with 48 kHz sample rate,
92 dB with 192 kHz sample rate,
(A-weighted)

DIMENSIONS - MIC WITH STAND

- Dimensions (L x W x H): 9.0 cm x 9.0 cm x 20.45 cm / 3.54" x 3.54" x 8.05"
- Weight: 554.7 g / 1.223 lbs

NOTE:

- Technical specifications are subject to change without prior notice.

TROUBLESHOOTING

If you have problems using this product, check the following points before you request service.

NO POWER

- Make sure that the microphone is properly connected and compatible with your PC, Mac or gaming console device.

NO SOUND FROM MY HEADPHONE

- Make sure that the microphone is properly connected to your headphone and PC, Mac or gaming console device.
- Make sure that you have chosen **JBL Quantum Stream Studio** as the sound source of your PC, Mac or gaming console device.
- Adjust volume on your headphone and make sure that your microphone is not muted.

SPEAKER FEEDBACK

- This happens when the speaker sound is picked up by your microphone and sent back to the speaker after being re-amplified. Try the following to eliminate speaker feedback:
 - Adjust the position so that the speaker is not too close to the microphone and does not point at the microphone directly.
 - Decrease the speaker volume and microphone gain to an appropriate level.

DISTORTED SOUND

- Decrease the microphone gain to an appropriate level.
- Adjust the microphone position so that it is not too close to the sound source.

POOR SOUND OR SOUND NOT LOUD ENOUGH

- Increase the microphone gain to an appropriate level.
- Move the microphone closer to the sound source.
- Select an appropriate polar pattern.
- Speak towards the side instead of the top of the microphone.

MY VOICE CANNOT BE HEARD BY MY TEAMMATES

- Make sure that you have chosen **JBL Quantum Stream Studio** as the recording device in the sound settings of your PC, Mac or gaming console device.
- Make sure that the microphone is not muted.

I CAN'T HEAR MYSELF WHEN I'M TALKING

- To hear your own voice when talking, you can press the volume knob twice, then rotate it clockwise or counterclockwise to adjust the audio/voice monitor.

