



MAG Series

PC Case

MAG PANO M100R PZ

MAG PANO M100R PZ WHITE

User Guide

Contents

Specifications.....	3
Accessories.....	5
Case Features.....	6
Side and Front View.....	7
I/O and Buttons.....	8
Side Panel Removal.....	9
Front Bezel Removal.....	10
Top Panel Removal.....	11
Motherboard Installation.....	12
Graphics Card Installation.....	13
SSD Installation.....	14
PSU Installation.....	15
Top Panel I/O Connection.....	16
Control Board Connection.....	17
General Information.....	19

Specifications

Basic Information

Case Type	Mid Tower
Dimensions (DxWxH)	440 x 235 x 405 mm
Supported Motherboard Sizes	Micro-ATX*, Mini-ITX * Supports Micro-ATX back-connect motherboard

Cooling Fan Support

Top	3 x 120mm or 2 x 140mm
Front	No
Rear	1 x 120mm or 1 x 140mm (Pre-installed 1 x 120mm ARGB fan)
Side	3 x 120mm (Pre-installed 3 x 120mm ARGB fans)
Bottom	1 x 120mm
PSU Shroud	2 x 120mm

Expansion Slots

PCIe Slots	5 slots
------------	---------

Drive Bays

2.5" SSD	1
3.5" HDD	1
Combo 3.5"/2.5"	2 x 2.5" or 1 x 2.5" + 1 x 3.5"

I/O Ports and Buttons

USB Ports	1 x USB 3.2 Gen1 Type-A 1 x USB 3.2 Gen 2x2 Type-C
Audio Ports	1 x Audio/Microphone combo jack
Buttons	1 x Power button 1 x LED switch button












Chassis Clearances

Maximum CPU Cooler Height	175 mm
Maximum GPU Length	390 mm
Top Radiator Support	120 / 240 / 360 mm
Rear Radiator Support	120 / 140 mm
PSU Support	200mm

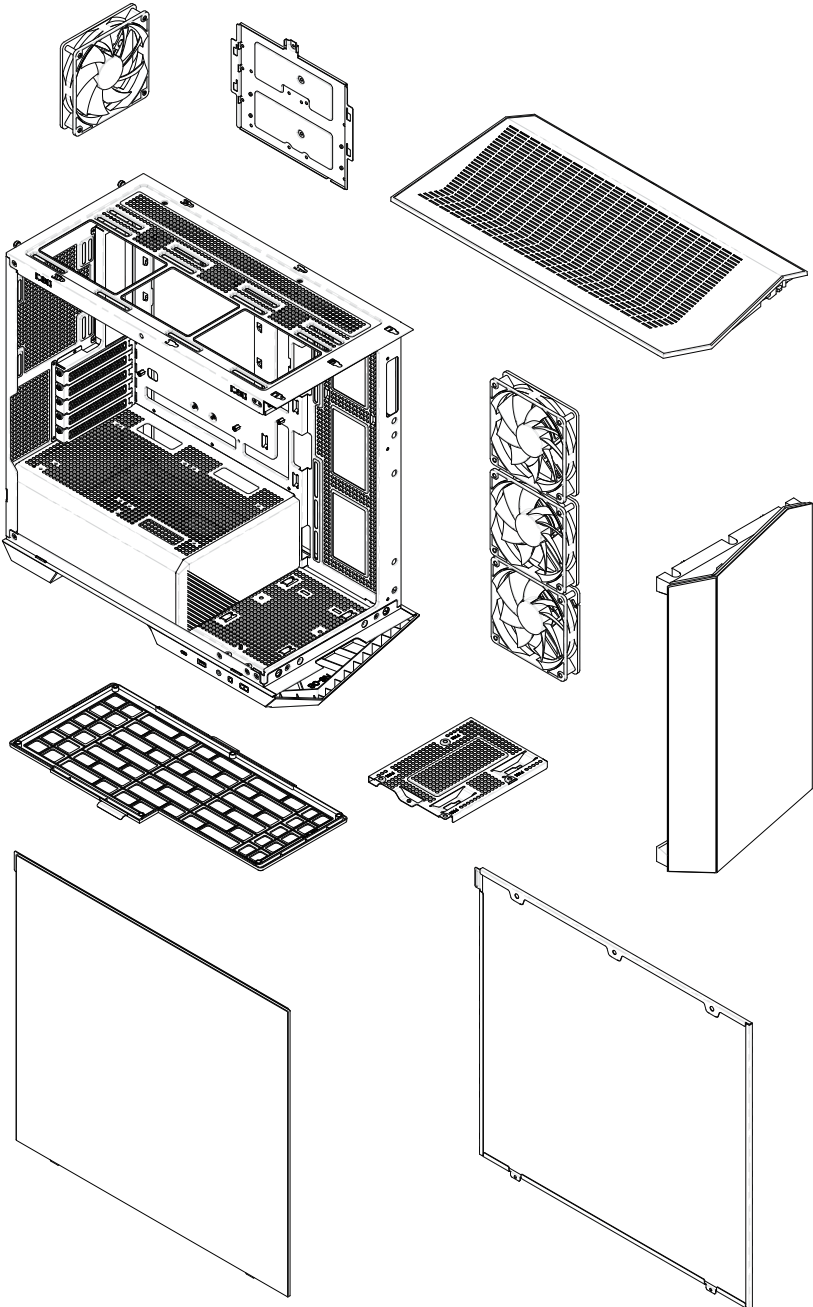
Materials

Metal Specification	SPPC 0.7 mm
Front Bezel Material	4mm tempered glass
Left Side Panel	4mm tempered glass
Top Bezel	Internal plastic structure enclosed in metal
Dust Filter	Top: Plastic filter Bottom: Plastic, magnetic frame
GPU holder	Aluminum

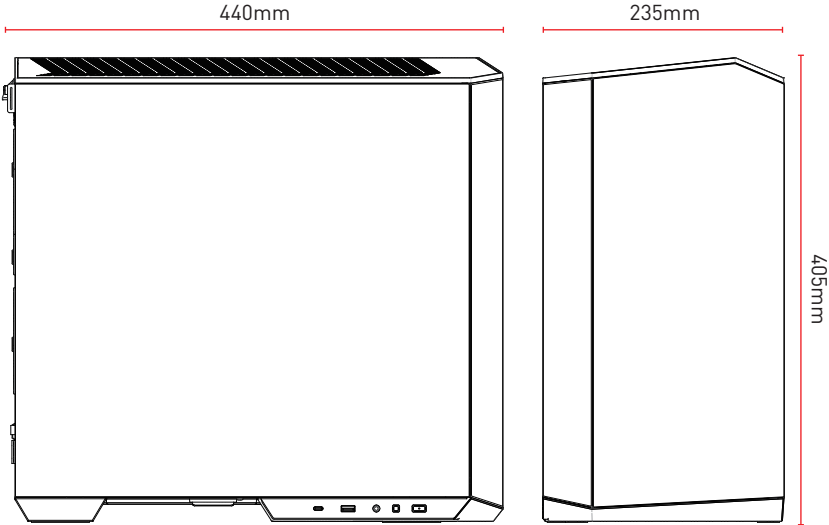
Accessories

Item	Name / Q'ty	Used for
	Cable ties x5	Cable management
	Screw M3 5mm x20	Motherboard / SSD
	Screw #6-32 5mm x8	3.5" HDD
	Screw #6-32 6mm x6	Securing PSU / PCIe Card
	Stand-off #6-32 6.5mm x4	Motherboard Stud
	Screw #6-32 30mm x8	Securing fans on the PSU shroud
	Stand-off Mounting Tool x1	Securing stand-off
	Spare U Clip x2	Securing side panel
	GPU Holder x1	Reinforcing the graphics card
	Spirit level x1	Adjusting the horizontal of GPU
	Hook-and-loop fastener x2	Cable management

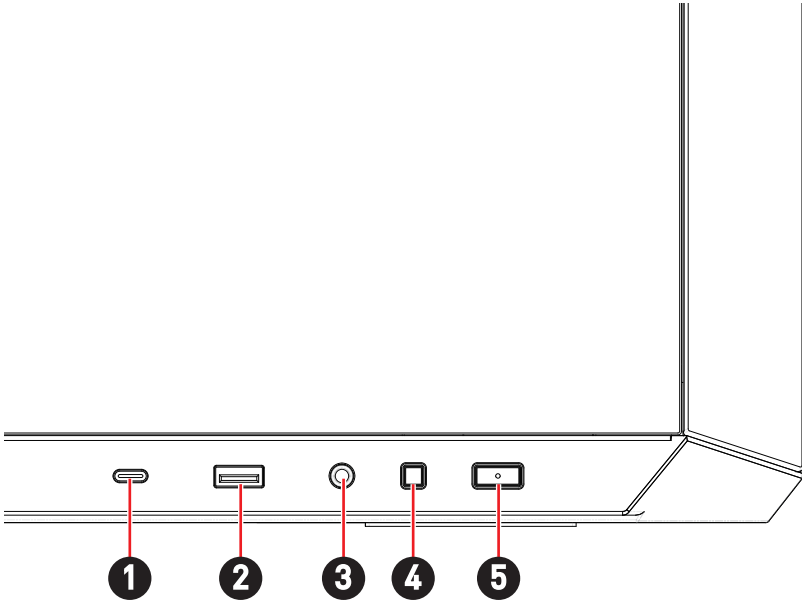
Case Features



Side and Front View

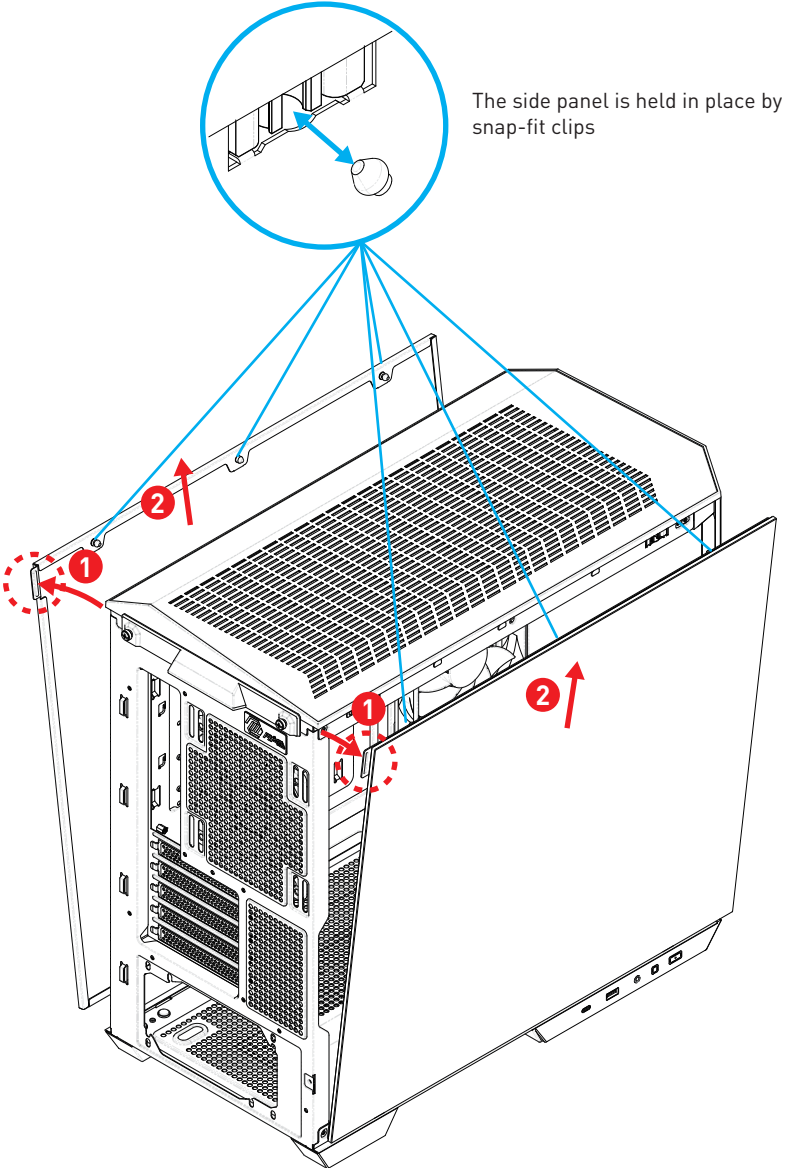


I/O and Buttons



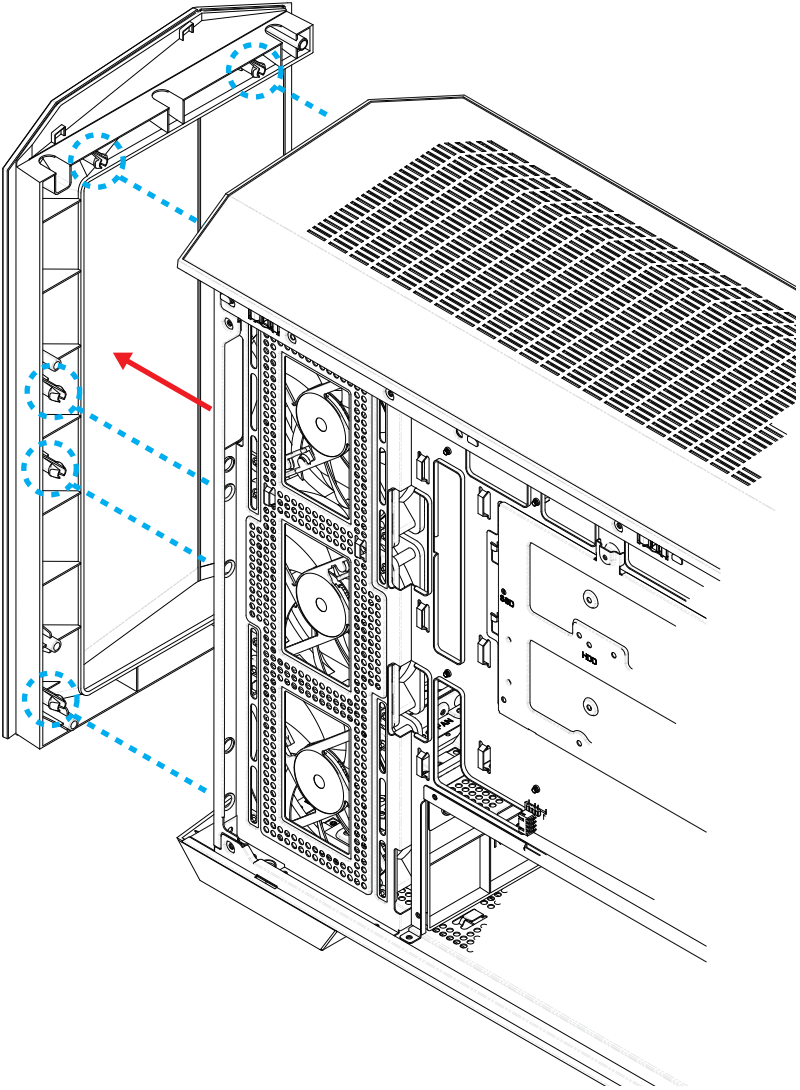
Item	Description
1	USB 3.2 Gen 2 2x2 Type-C port
2	USB 3.2 Gen 1 Type-A port
3	Audio/Microphone combo jack
4	LED switch button
5	Power button

Side Panel Removal

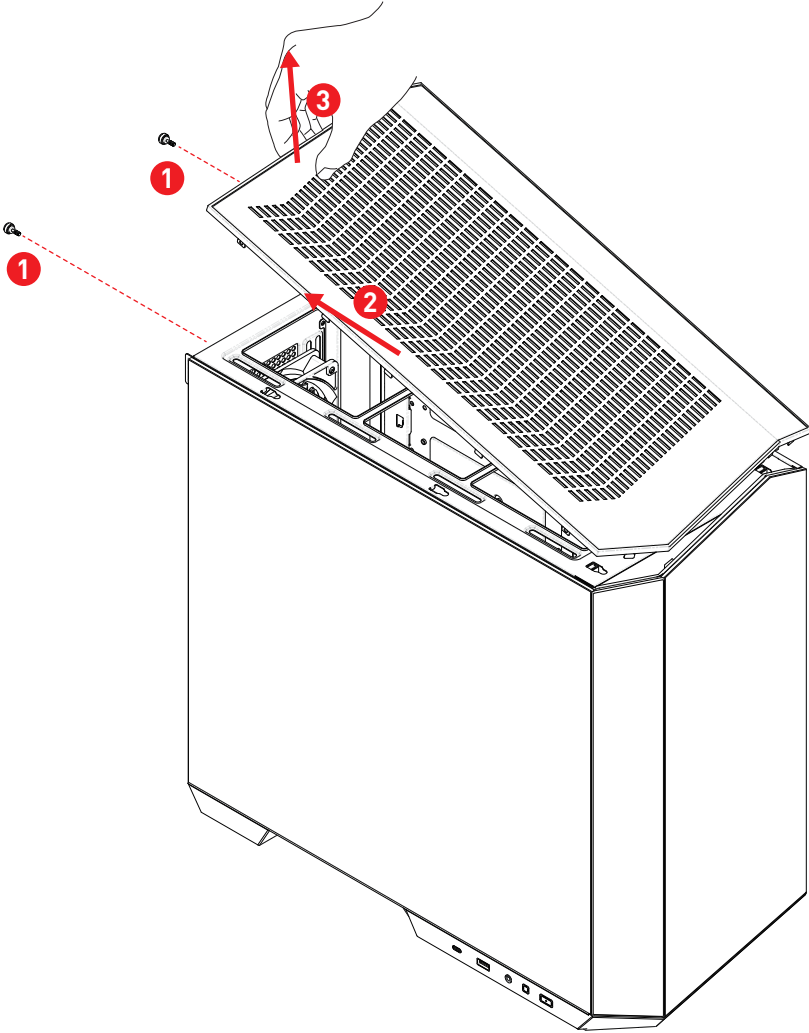


Front Bezel Removal

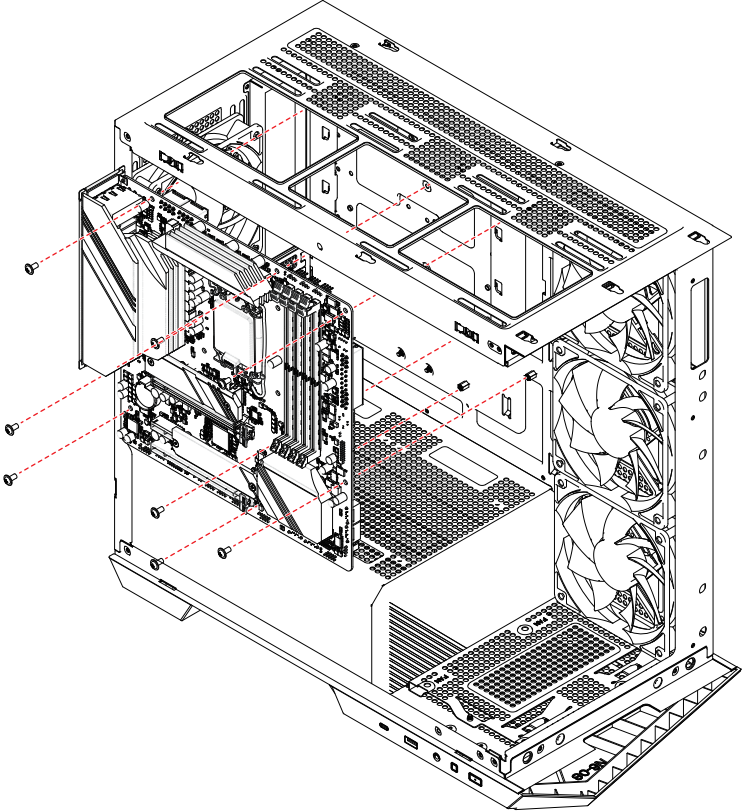
Before removing the front bezel, please remove the side panels on both sides and gently pull out the front panel with your hand.



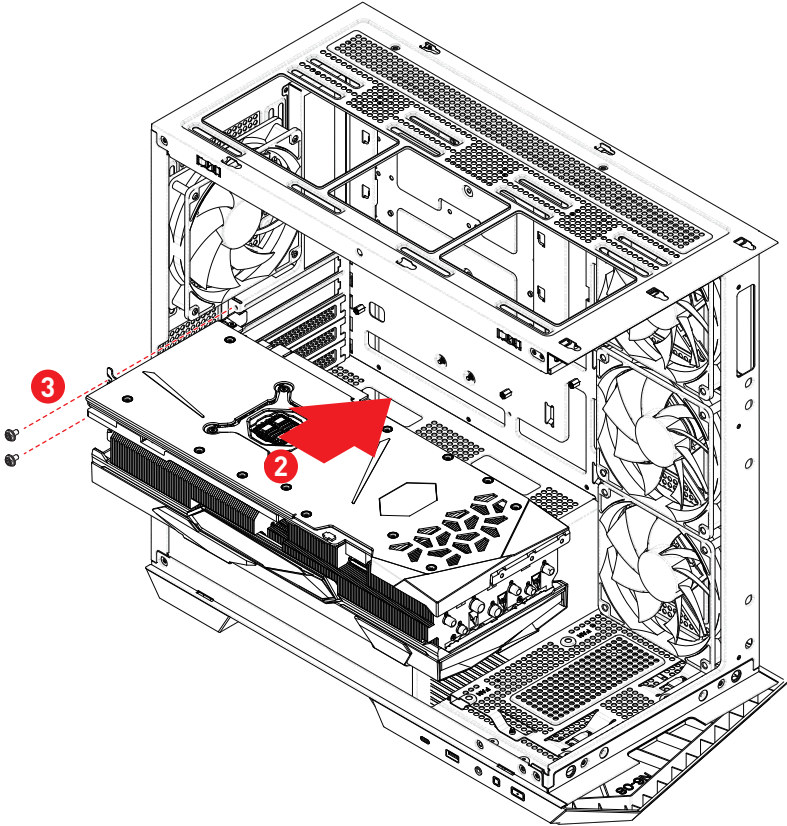
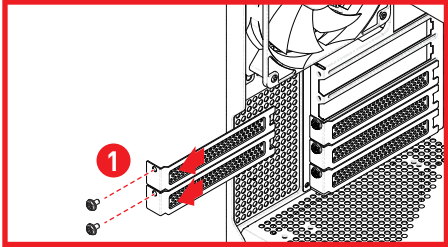
Top Panel Removal



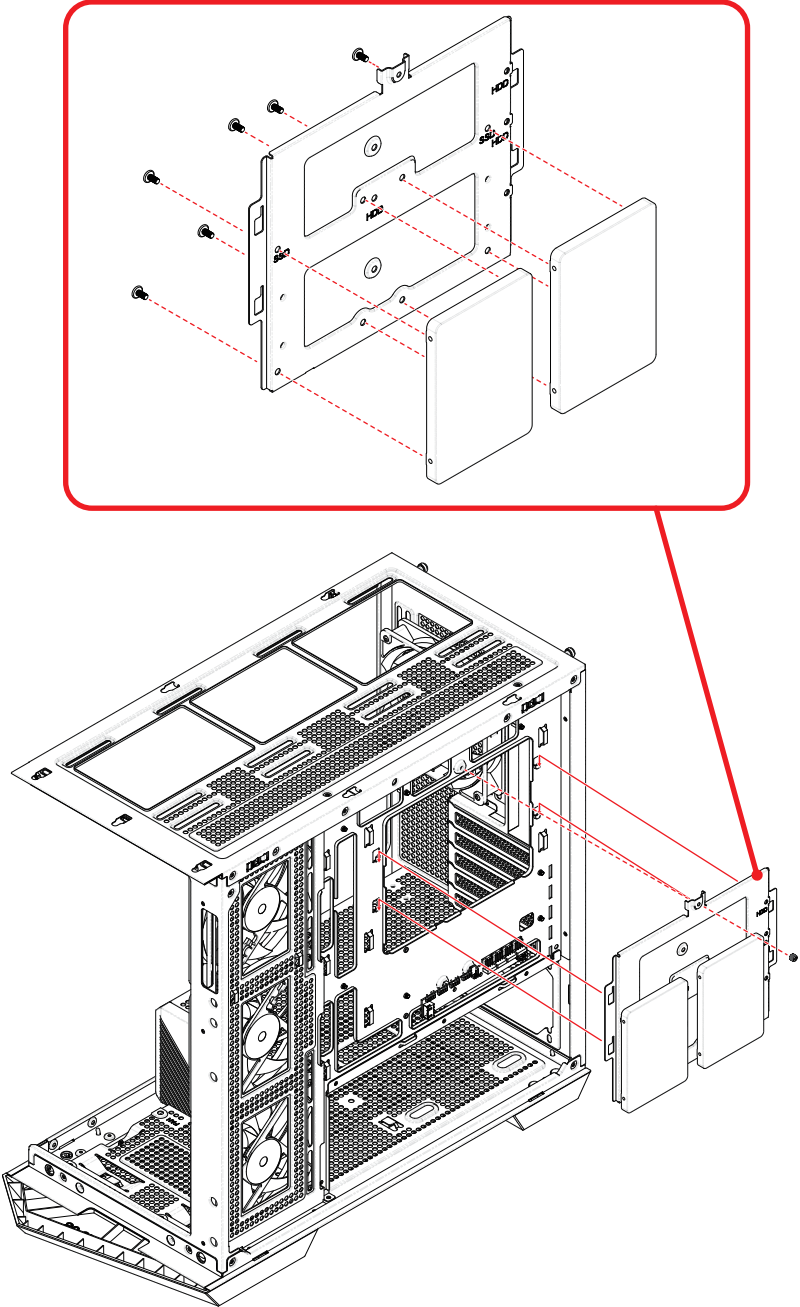
Motherboard Installation



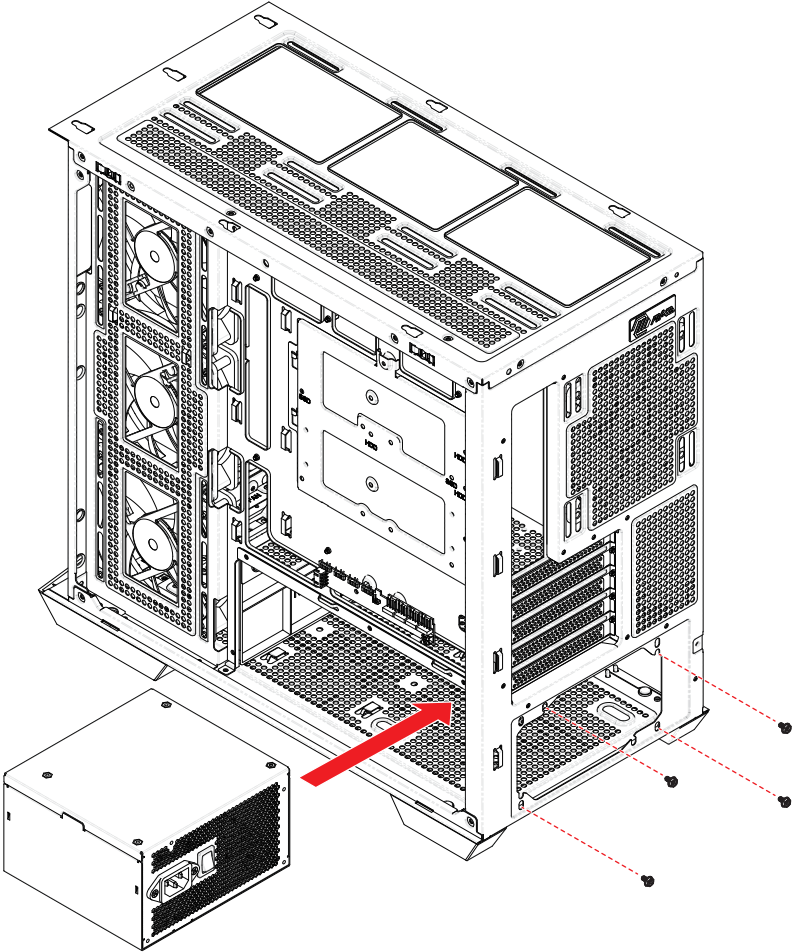
Graphics Card Installation



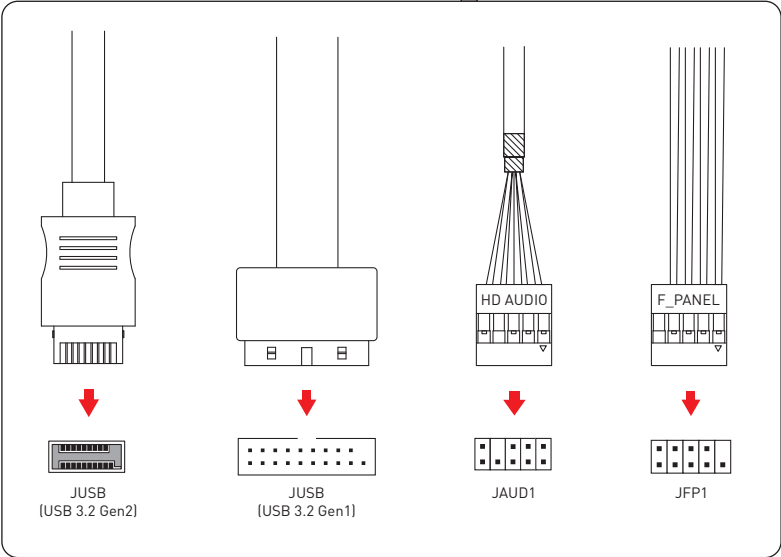
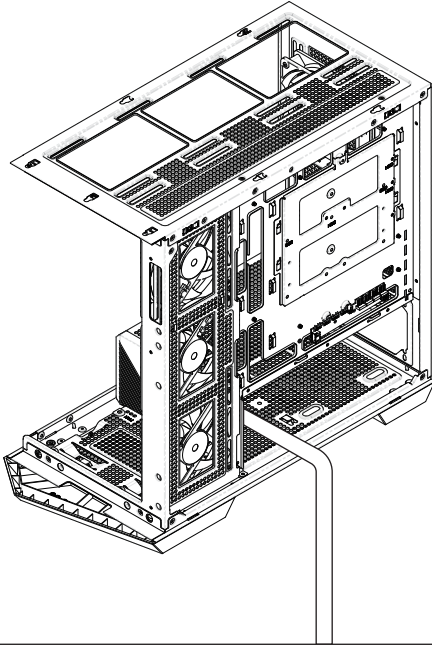
SSD Installation



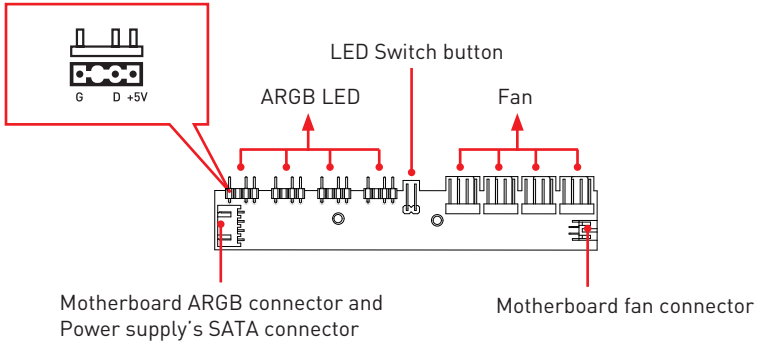
PSU Installation



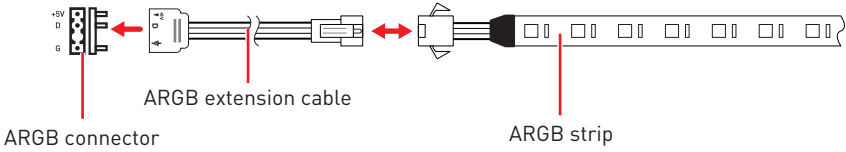
Top Panel I/O Connection



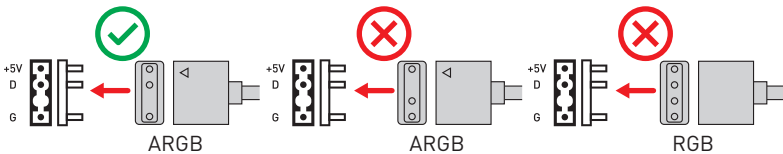
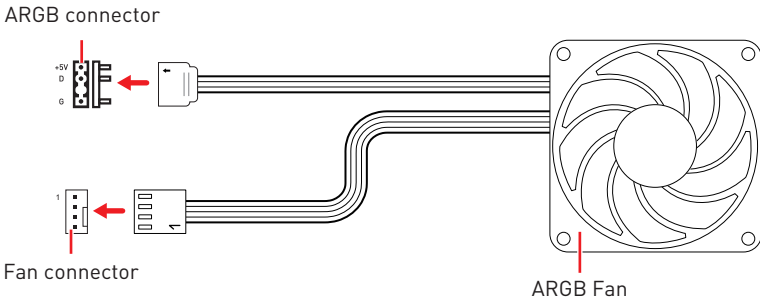
Control Board Connection



Addressable RGB LED Strip Connection



Addressable RGB LED Fan Connection



IMPORTANT

- Please always turn off the power supply and unplug the power cord from the power outlet before installing or removing the ARGB LED Strip/Fan.
- Supports a maximum of 80 LEDs. Exceeding this limit may result in overheating, abnormal colors, or malfunctions.
- Please ensure all cables are securely connected before powering on.

LED Switch Button Function

- Single press to toggle between LED effects.
- Long press for three seconds to sync with the motherboard.
- Long press for six seconds to turn off the lights. The lights will flash four times. To turn the lights back on, press the button once.

LED Effect Sequence

After pressing the LED Switch button, the LED effect sequence is as follows:

1	Rainbow
2	Rainbow trail
3	Rainbow gradient
4	Purple
5	White
6	Blue
7	Cyan
8	Green
9	Yellow
10	Red
11	Rainbow breathing
12	Red breathing
13	Yellow breathing

14	Green breathing
15	Cyan breathing
16	Blue breathing
17	White breathing
18	Purple breathing
19	Static rainbow
20	Red
21	Yellow
22	Green
23	Cyan
24	Blue
25	White
26	Purple

General Information

Copyright and Trademarks Notice

msi **MSI** **微星** **微星科技**

MICRO-STAR INTERNATIONAL



Copyright © Micro-Star Int'l Co., Ltd. All rights reserved.

The MSI logo used is a registered trademark of Micro-Star Int'l Co., Ltd. All other marks and names mentioned may be trademarks of their respective owners. No warranty as to accuracy or completeness is expressed or implied. MSI reserves the right to make changes to this document without prior notice.

All text, images, illustrations, and other content in this manual are the property of MSI. No part of this manual may be reproduced, distributed, or used in any form without the written permission of MSI.

Revision History

- Version 1.0, 2024/01, First release.

