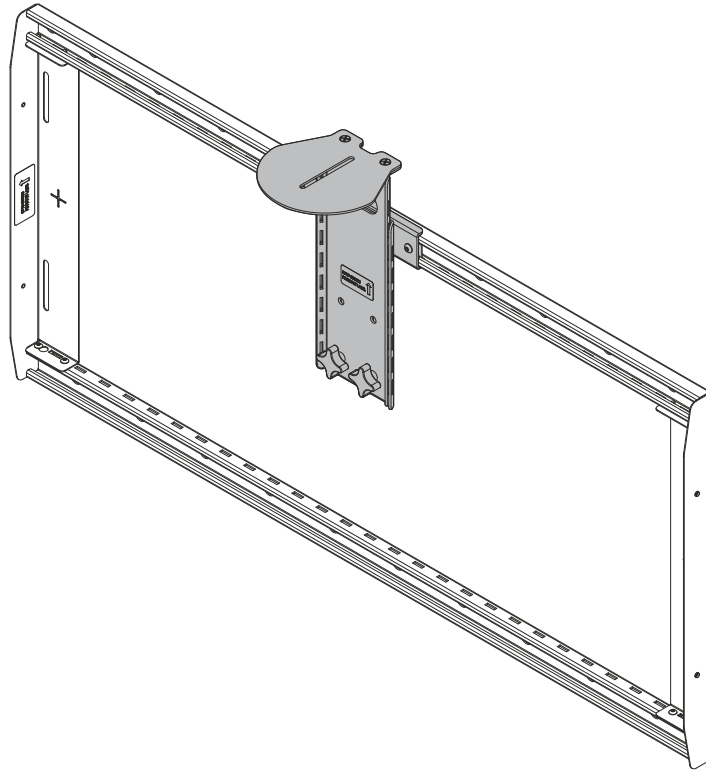


INSTALLATION INSTRUCTIONS



AS3LD Camera Shelf

CHIEF[®]

A brand of  legrand[®]

AS3A100

DISCLAIMER

Legrand | AV and its affiliated corporations and subsidiaries (collectively “Legrand | AV”), intend to make this manual accurate and complete. However, Legrand | AV makes no claim that the information contained herein covers all details, conditions or variations, nor does it provide for every possible contingency in connection with the installation or use of this product. The information contained in this document is subject to change without notice or obligation of any kind. Legrand | AV makes no representation of warranty, expressed or implied, regarding the information contained herein. Legrand | AV assumes no responsibility for accuracy, completeness or sufficiency of the information contained in this document.

Chief® is a registered trademark of Legrand AV Inc.

DEFINITIONS

MOUNTING SYSTEM: A MOUNTING SYSTEM is the primary Chief product to which an accessory and/or component is attached.

ACCESSORY: AN ACCESSORY is the secondary Chief product which is attached to a primary Chief product, and may have a component attached or setting on it.

COMPONENT: A COMPONENT is an audiovisual item designed to be attached or resting on an accessory or mounting system such as a video camera, CPU, screen, display, projector, etc.



WARNING: A WARNING alerts you to the possibility of serious injury or death if you do not follow the instructions.



CAUTION: A CAUTION alerts you to the possibility of damage or destruction of equipment if you do not follow the corresponding instructions.



IMPORTANT SAFETY INSTRUCTIONS



WARNING: Failure to read, thoroughly understand, and follow all instructions can result in serious personal injury, damage to equipment, or voiding of factory warranty! It is the installer's responsibility to make sure all accessories are properly assembled and installed using the instructions provided.



WARNING: Failure to provide adequate structural strength for this accessory can result in serious personal injury or damage to equipment! It is the installer's responsibility to make sure the structure to which this accessory is attached can support five times the combined weight of all equipment. Reinforce the structure as required before installing the mounting system.



WARNING: Exceeding the weight capacity can result in serious personal injury or damage to equipment! It is the installer's responsibility to make sure the combined weight of all components attached to the AS3A100 accessory does not exceed 15 lbs (6.8 kg).



WARNING: Use this accessory only for its intended use as described in these instructions. Do not use attachments not recommended by the manufacturer.

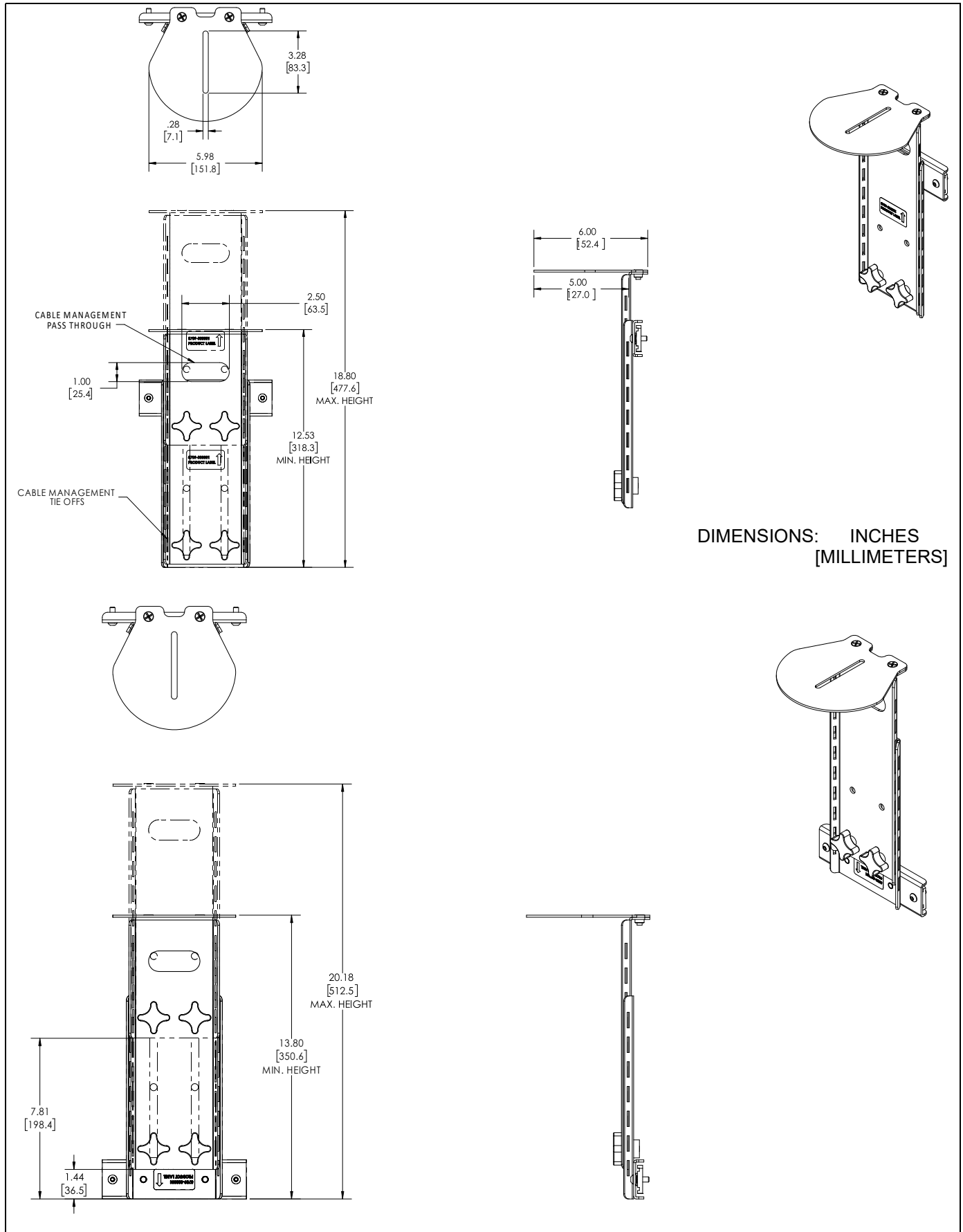


WARNING: Never operate this accessory if it is damaged. Return the accessory to a service center for examination and repair.

IMPORTANT ! : The AS3A100 accessory is designed to be mounted to a Chief® AS3LD mounting system.

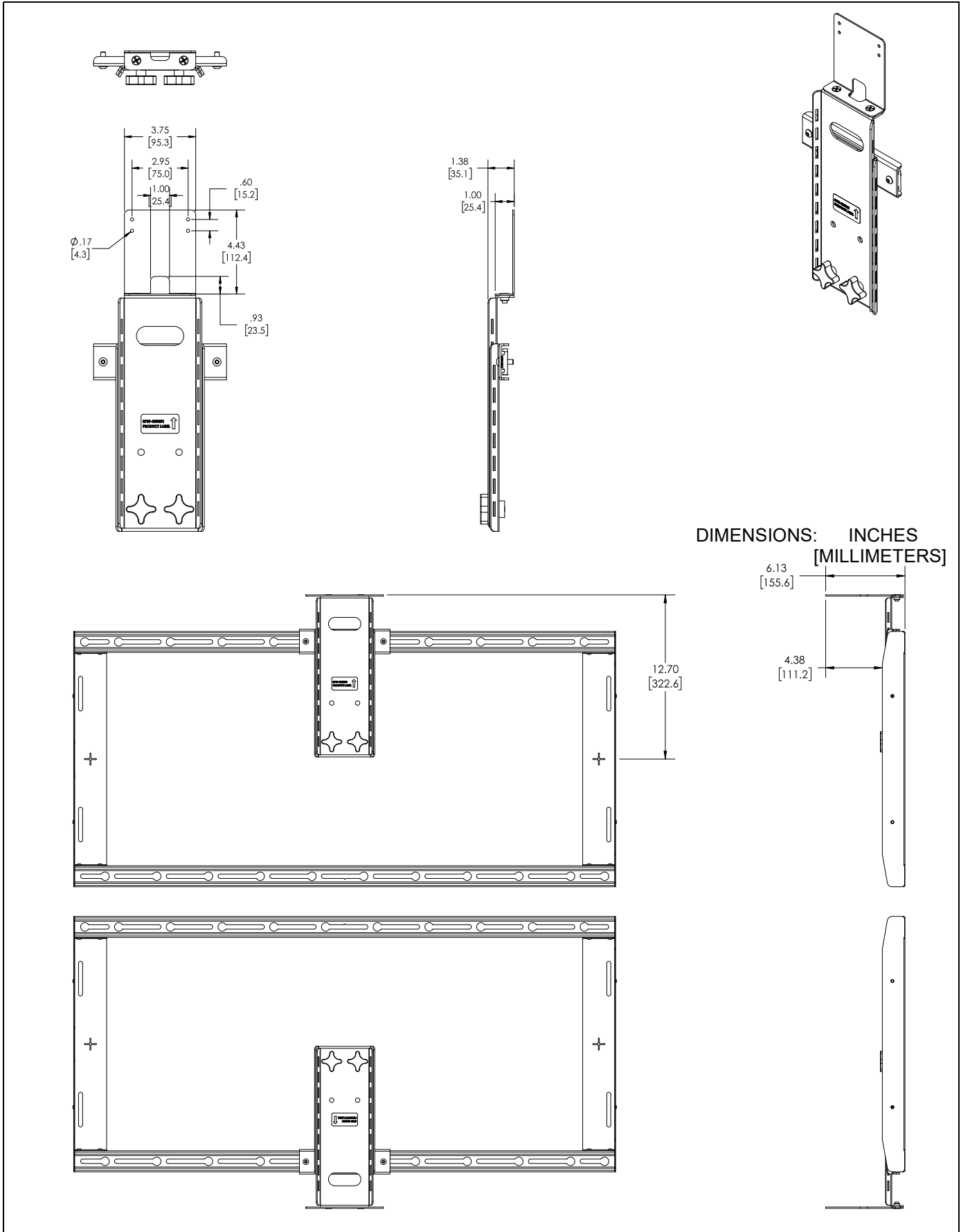
--SAVE THESE INSTRUCTIONS--

DIMENSIONS

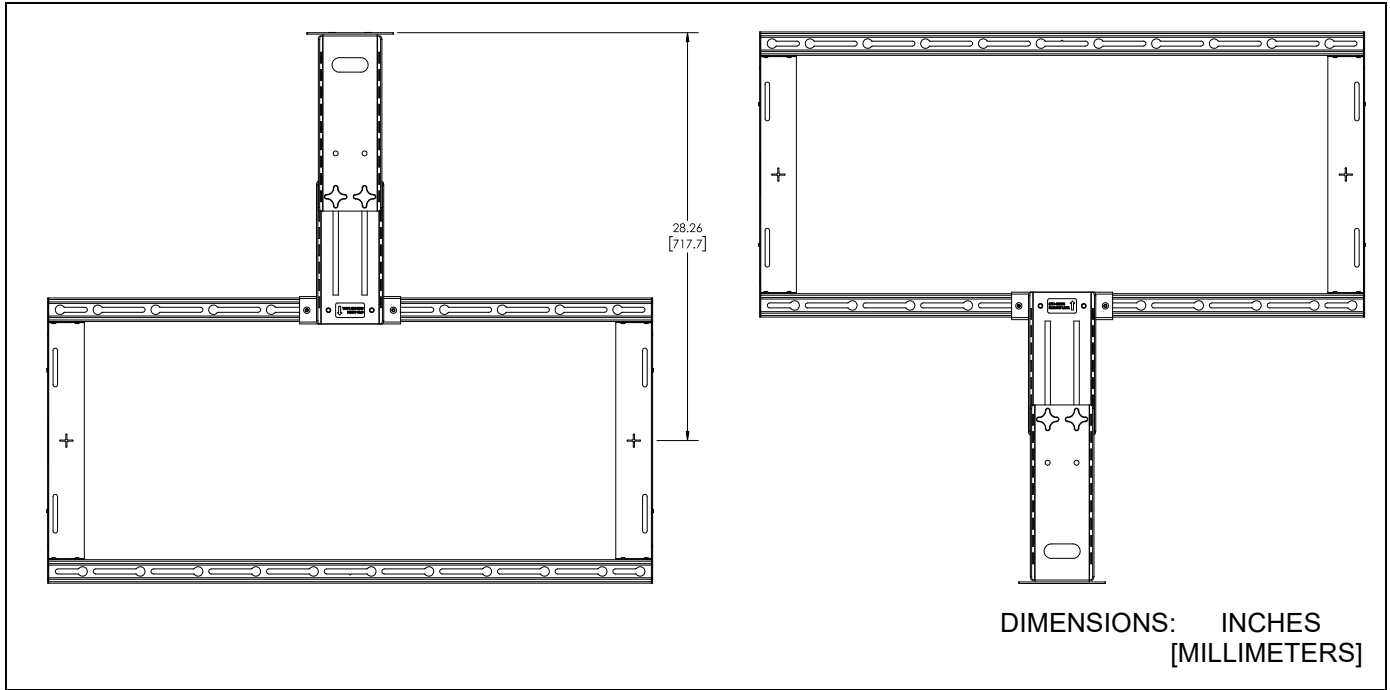


DIMENSIONS: INCHES
[MILLIMETERS]

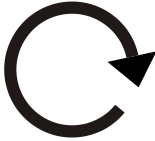

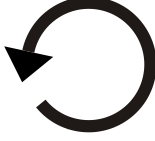


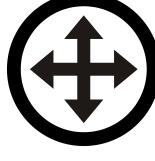






DIMENSIONS (CONTINUED)



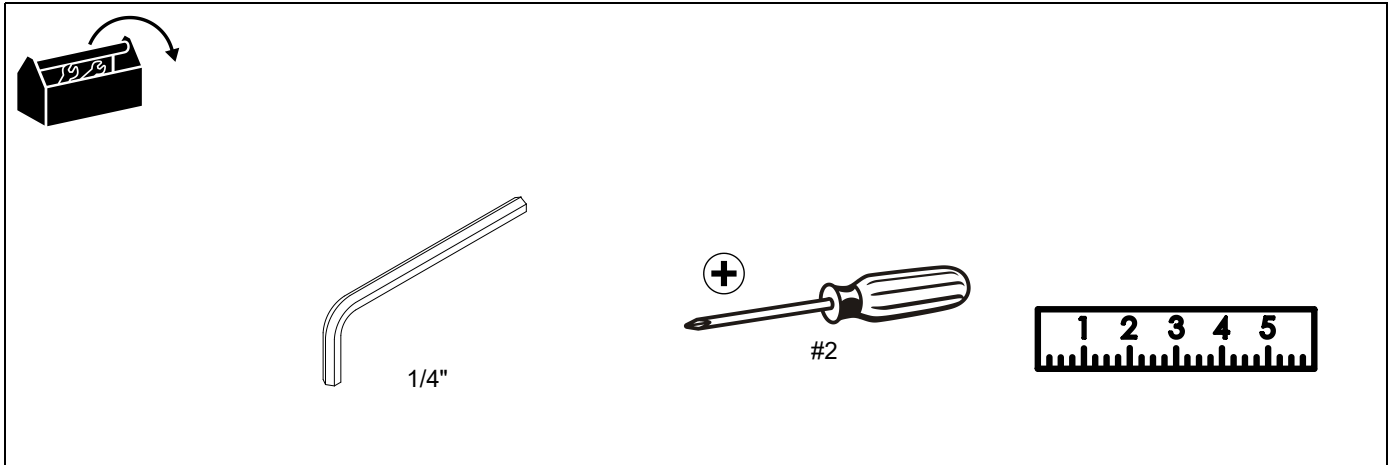
DIMENSIONS (CONTINUED)



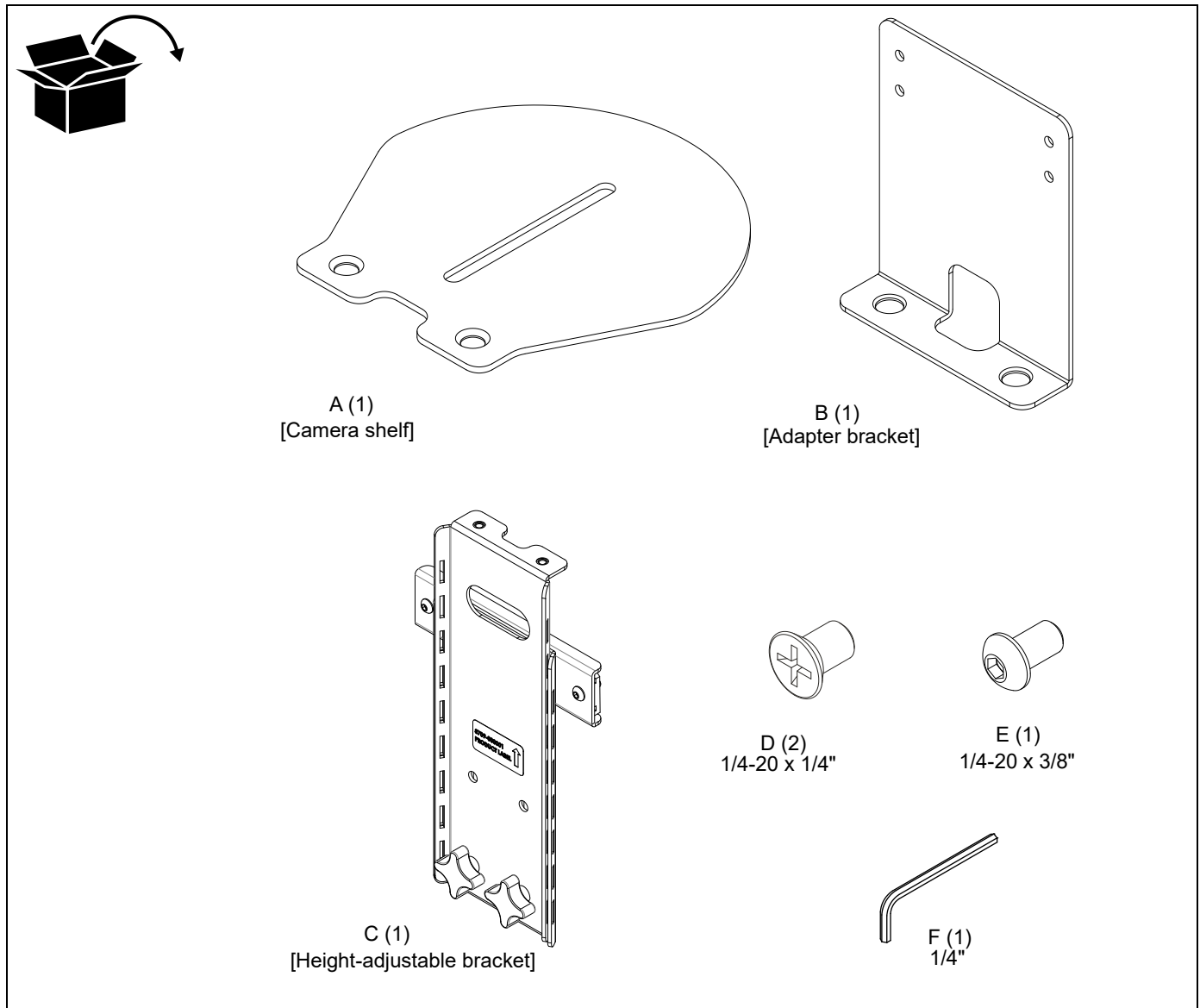
LEGEND

	Tighten Fastener Apretar elemento de fijación Befestigungsteil festziehen Apertar fixador Serrare il fissaggio Bevestiging vastdraaien Serrez les fixations		Pencil Mark Marcar con lápiz Stiftmarkierung Marcar com lápis Segno a matita Potloodmerkteken Marquage au crayon
	Loosen Fastener Aflojar elemento de fijación Befestigungsteil lösen Desapertar fixador Allentare il fissaggio Bevestiging losdraaien Desserrez les fixations		Drill Hole Perforar Bohrloch Fazer furo Praticare un foro Gat boren Percez un trou
	Phillips Screwdriver Destornillador Phillips Kreuzschlitzschraubendreher Chave de fendas Phillips Cacciavite a stella Kruiskopschroevendraaier Tournevis à pointe cruciforme		Adjust Ajustar Einstellen Ajustar Regolare Afstellen Ajuster
	Open-Ended Wrench Llave de boca Gabelschlüssel Chave de bocas Chiave a punte aperte Steeksleutel Clé à fourche		Remove Quitar Entfernen Remover Rimuovere Verwijderen Retirez
	By Hand A mano Von Hand Com a mão A mano Met de hand À la main		Optional Opcional Optional Opcional Opzionale Optie En option
	Hex-Head Wrench Llave de cabeza hexagonal Sechskantschlüssel Chave de cabeça sextavada Chiave esagonale Zeskantsleutel Clé à tête hexagonale		Security Wrench Llave de seguridad Sicherheitsschlüssel Chave de segurança Chiave di sicurezza Veiligheidssleutel Clé de sécurité

TOOLS REQUIRED FOR INSTALLATION



PARTS



Assembly And Installation

IMPORTANT ! : If installing to displays larger than 65", height-adjustable bracket (C) will need to be disassembled and reassembled in order to achieve a longer length. For smaller displays, proceed to Step 3.

1. (Displays 65" and larger ONLY) Remove height-adjustment knobs from height-adjustable bracket (C). (See Figure 1)

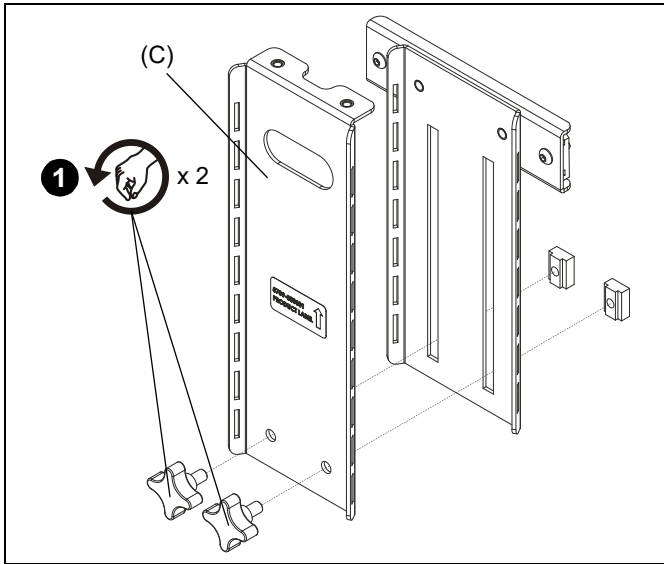


Figure 1

2. (Displays 65" and larger ONLY) Rotate extension bracket 180° and re-install height-adjustment knobs to secure brackets in new orientation. (See Figure 2)

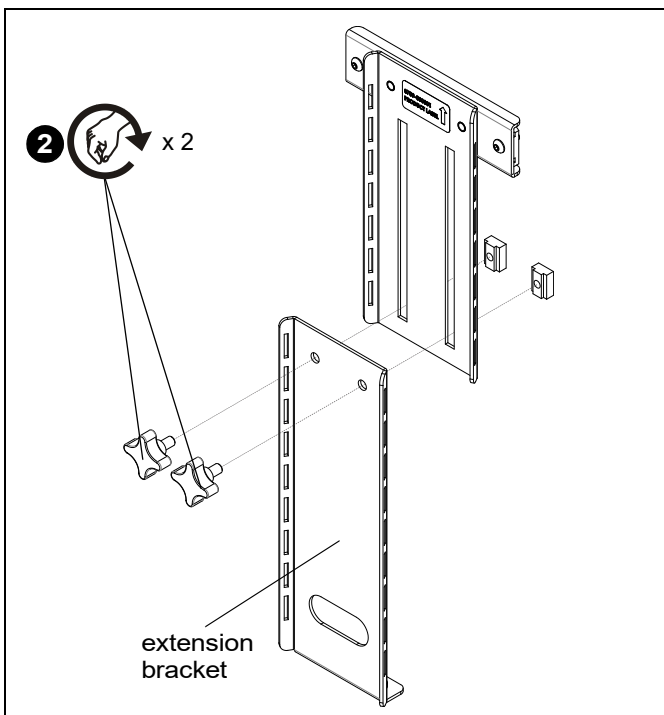


Figure 2

3. Loosen two strut nuts on back of height-adjustable bracket (C) and rotate until they are in a horizontal position. (See Figure 3)

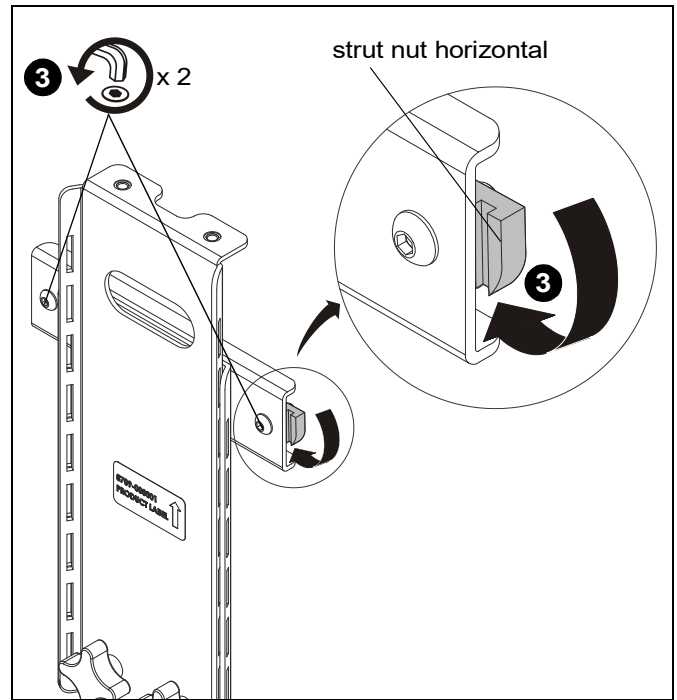


Figure 3

4. Install height-adjustable bracket (C) onto AS3LD mount at desired mounting position. (See Figure 4)

NOTE: AS3A101 shelf can be installed above or below display.

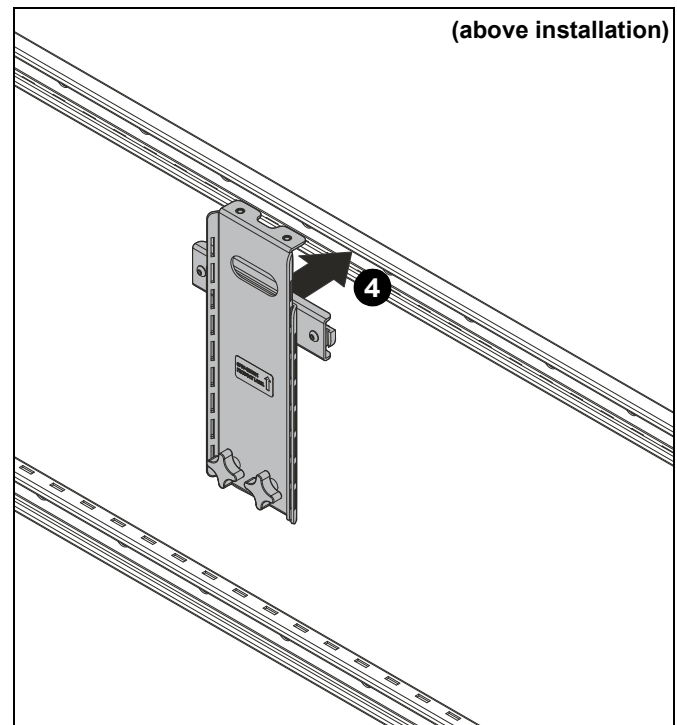


Figure 4

5. Rotate strut nuts until they are back in a vertical position and tighten button head cap screws. (See Figure 5)

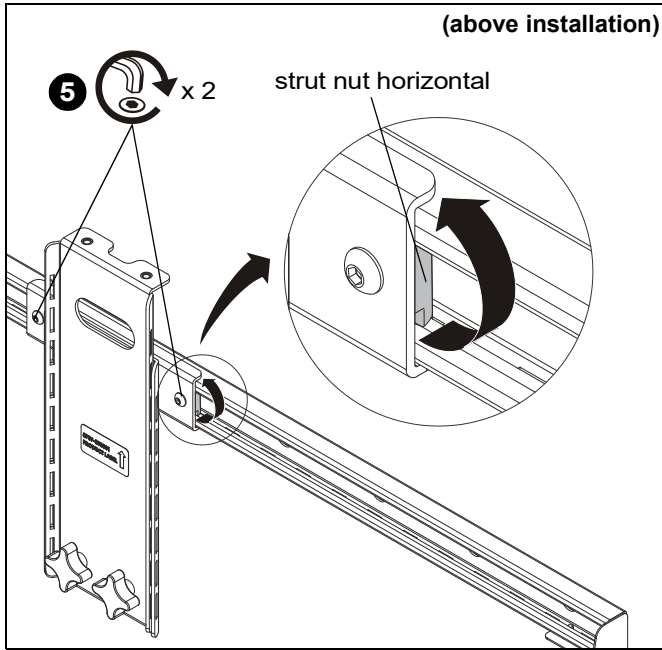


Figure 5

NOTE: If installing a camera requiring adapter bracket (B), proceed to Step 7.

6. Use two 1/4-20 x 1/4" Phillips flat head screws (D) to secure camera shelf (A) to height-adjustable bracket (C). (See Figure 6)

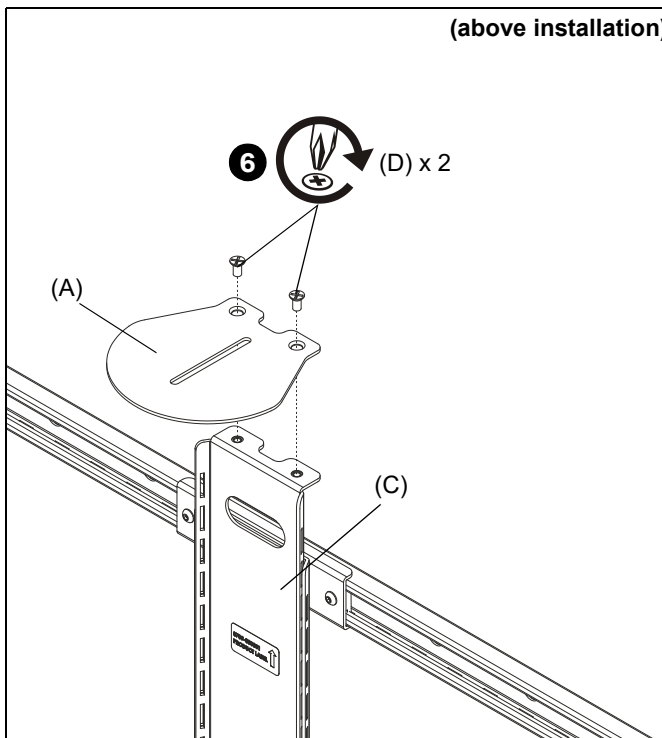


Figure 6

7. Use two 1/4-20 x 1/4" Phillips flat head screws (D) to secure adapter bracket (B) to height-adjustable bracket (C). (See Figure 7)

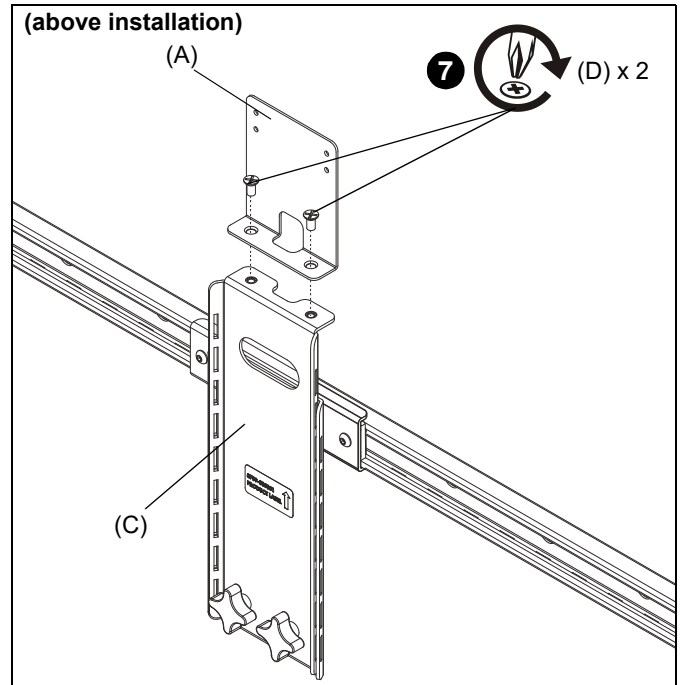


Figure 7

Camera Installation



WARNING: Exceeding the weight capacity can result in serious personal injury or damage to equipment! It is the installer's responsibility to make sure the combined weight of all components attached to the AS3A100 accessory does not exceed 15 lbs (6.8 kg).

1. Use 1/4-20 x 3/8" button head cap screw (E) or screw provided with camera to secure camera to shelf. (See Figure 8)

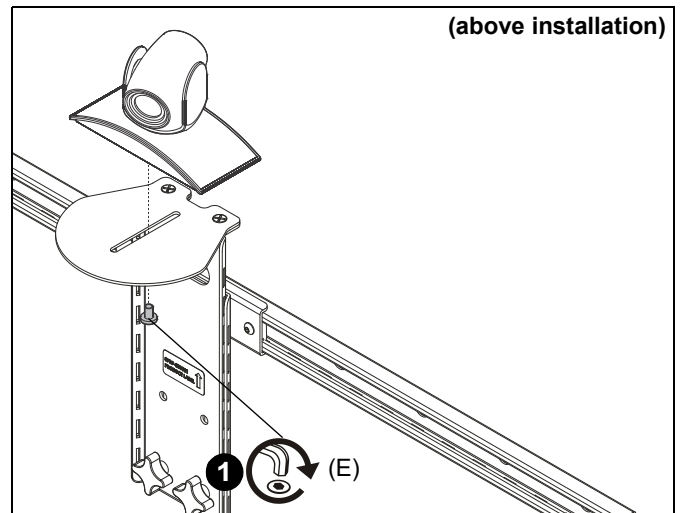


Figure 8

Height Adjustment

1. Loosen height-adjustment knobs on height-adjustment bracket (C). (See Figure 9)
2. Adjust height to desired height. (See Figure 9)
3. Tighten height-adjustment knobs on height-adjustment bracket (C). (See Figure 9)

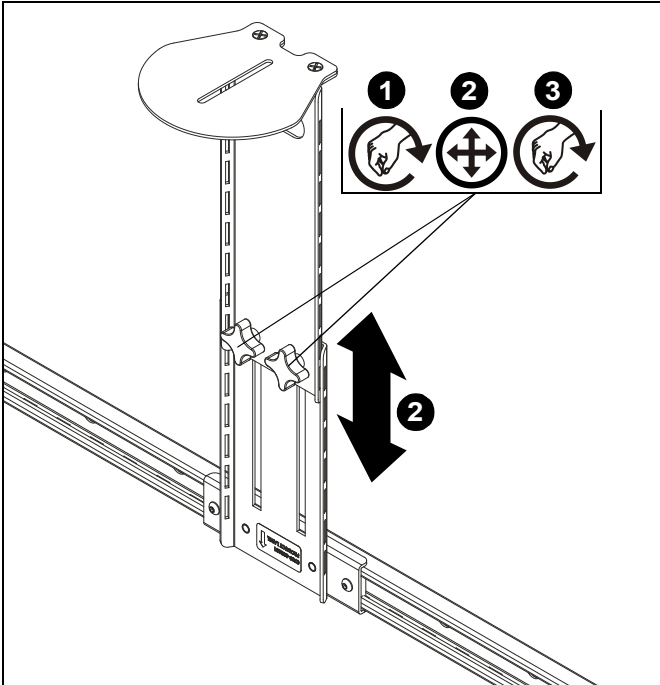


Figure 9

CHIEF®

A brand of  **legrand®**

8800-003396 Rev00
©2023 Legrand | AV
www.legrandav.com
10/2023

USA/International	A 6436 City West Parkway, Eden Prairie, MN 55344 P 800.582.6480 / 952.225.6000 F 877.894.6918 / 952.894.6918
Europe	A Franklinstraat 14, 6003 DK Weert, Netherlands P +31 (0) 495 580 852 F +31 (0) 495 580 845
Asia Pacific	A Office No. 918 on 9/F, Shatin Galleria 18-24 Shan Mei Street Fotan, Shatin, Hong Kong P 852 2145 4099 F 852 2145 4477

