



Elevated To The Next Dimension

Got a hulking beast of GPU that powers your gaming to the furthest limits of current hardware but requires extra support?

Look no further than Cooler Master's Atlas ARGB support bracket, our sleek new accessory designed to bolster your GPU and look good doing it. With a hypnotic infinity mirror design, edge-lit ARGB tempered glass, and an aluminum stand, the Atlas provides a range of style options from nearly invisible minimalism to all-out bright light maximalism.

The Atlas is built to provide your GPU with long-lasting support by preventing sag and PCIe port stress. Furthermore, tool-free installation, an easily adjustable design, and a dual axis support mode ensure both a smooth set up and a wide range of compatibility.

Breakthrough hardware limitations and take your machine beyond the infinite with the Atlas ARGB support bracket.

ATLAS ARGB GPU SUPPORT

Infinity mirror design -

Our industry-first infinity mirror design is encased in a transparent layer, creating a trippy visual effect.

Edge-lit ARGB tempered glass

ARGB lighting rails have been added via CNC machining on the tempered glass, bolstered by enhanced lighting thanks to extra ARGB bulbs. The edge-lit, transparent design provides an aesthetic accent without blocking your card. Alternatively, turn off the lights for a near invisible aesthetic.

Aluminum stand

A fully aluminum stand provides strengthened and stylish support, built from premium materials specially designed to hold up even the heaviest GPUs.

Tool-free installation

With its 100% tool-less design, installation and adjustment is painless. A rock-solid base is further reinforced with magnets for extra stability.

Eliminate GPU sag

As GPUs like the 40 series become larger, PCIe slots may suffer increased stress. The Atlas eliminates this by supporting the GPU's weight at critical points throughout the length of the card. Our strength testing shows that the Atlas can support the heaviest of cards without even flinching.

Versatile support

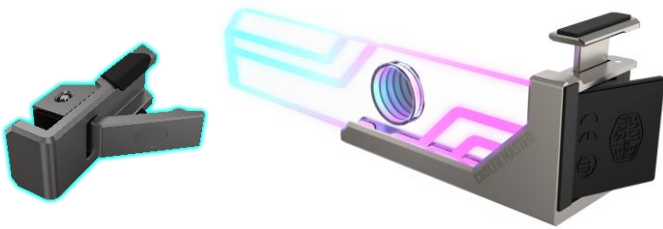
The Atlas' design allows for hassle-free adjustment via a sliding and locking mechanism that is compatible with a wide range of builds. A dual axis support mode allows for both vertical and horizontal configurations.

FEATURE HIGHLIGHTS



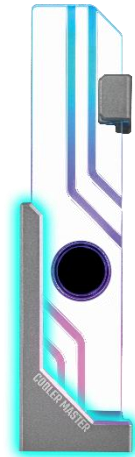
Infinity mirror design

Support your GPU in style with our patented, industry-first infinity mirror design, encased in a transparent layer that creates a trippy visual effect like you've never seen.



Tool-free installation

With its 100% tool-less design, installation and adjustment is painless. A rock-solid base is further reinforced with magnets for extra stability.



Aluminum stand

A fully aluminum stand provides strengthened and stylish support, built from premium materials specially designed to hold up even the heaviest GPUs.

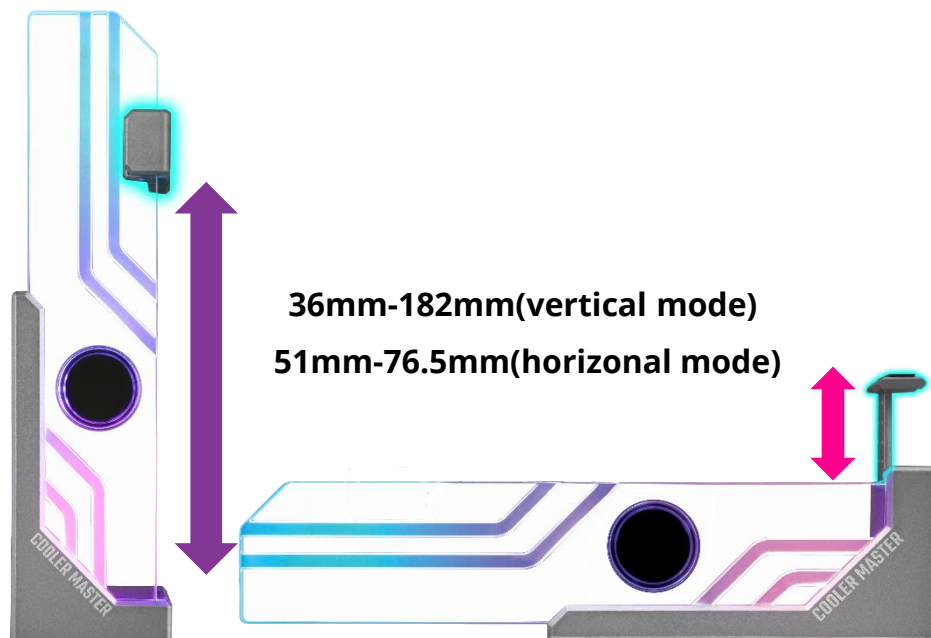


Versatile support

The Atlas' design allows for hassle-free adjustment via a sliding and locking mechanism that is compatible with a wide range of builds.

Dual axis mode

A dual axis support mode allows for both vertical and horizontal configurations, supporting a wide range of builds and preferences.



36mm-182mm(vertical mode)

51mm-76.5mm(horizontal mode)

SPECIFICATIONS

Product Name Atlas ARGB GPU support

Product Number MCA-U000R-AGSBTG-00

Available Color Silver Gray

Materials Exterior Aluminium, Plastic , Tempered Glass, Magnet

Dimensions (L x W x H) Vertical 51.8 x 59.6 x 195.7mm (with arm)

Horizontal 195.7 x 44.2 x 51.3mm~75.5mm (without arm)

Support Arm Force Max. 3kg

ARGB Cable Length 600mm/23.6inch

Included Aluminum Support Arm 1

ARGB Controller Not Included

Net Weight(unit) 236g

Gross Weight(unit) 433g

Warranty 2 Years

PACKING INFORMATION

EAN Code 4719512142059(Global)
6928968318880(CN)

UPC Code 884102114373

Units Per Box 30 pcs

Carton Net Weight 7.1 kg

Carton Gross Weight 14.1 kg

Retail Box Dimension (L x W x H) 250 x 105 x 65mm

Carton Dimension (L x W x H) 523 x 355 x 365mm

	Cont.	W/ Pallet	Carton/ Pallet	W/O Pallet
20'		9000	30	N/A
40'		19800	36	N/A
40 HQ		23760	36	N/A