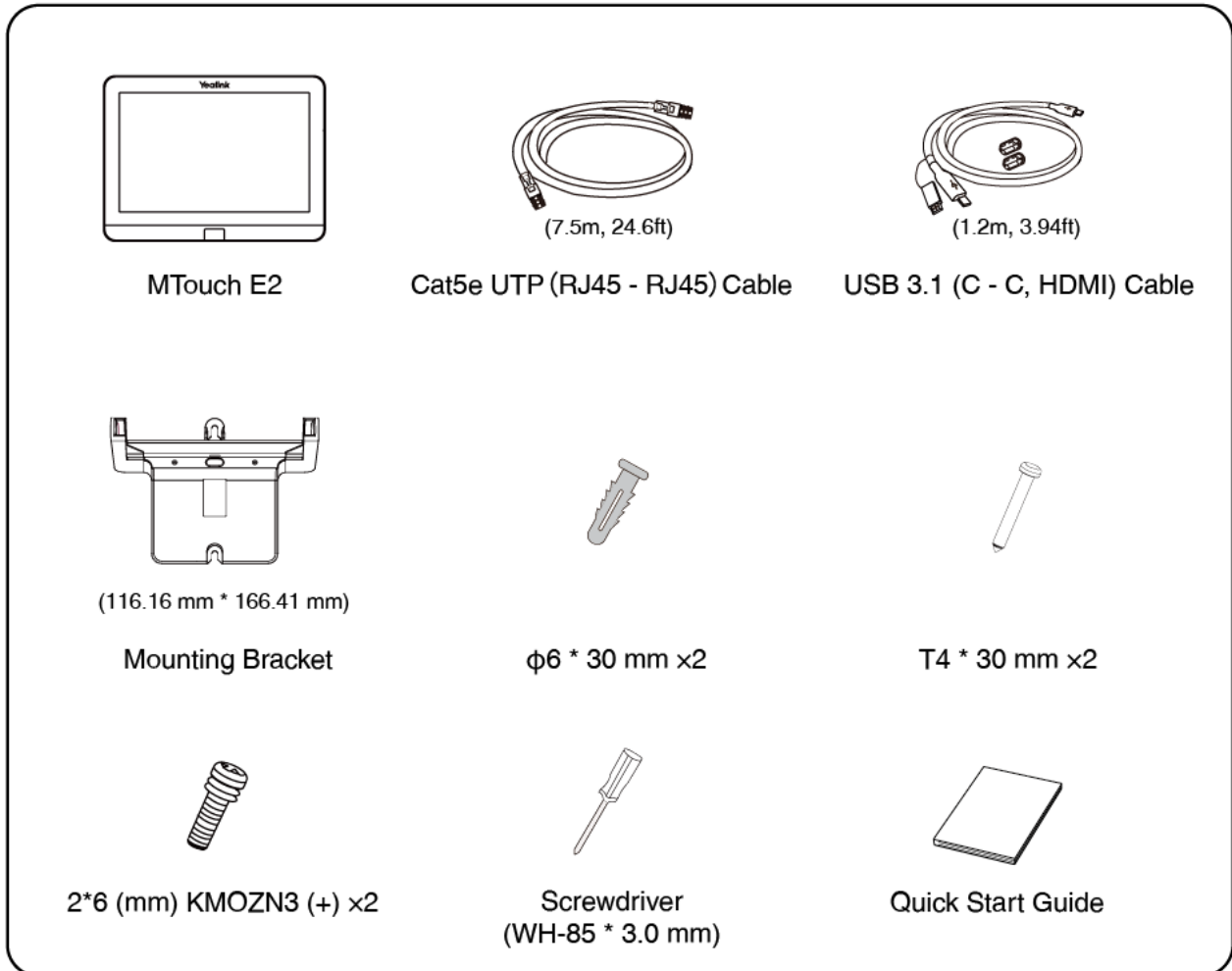


MTouch E2 Installation

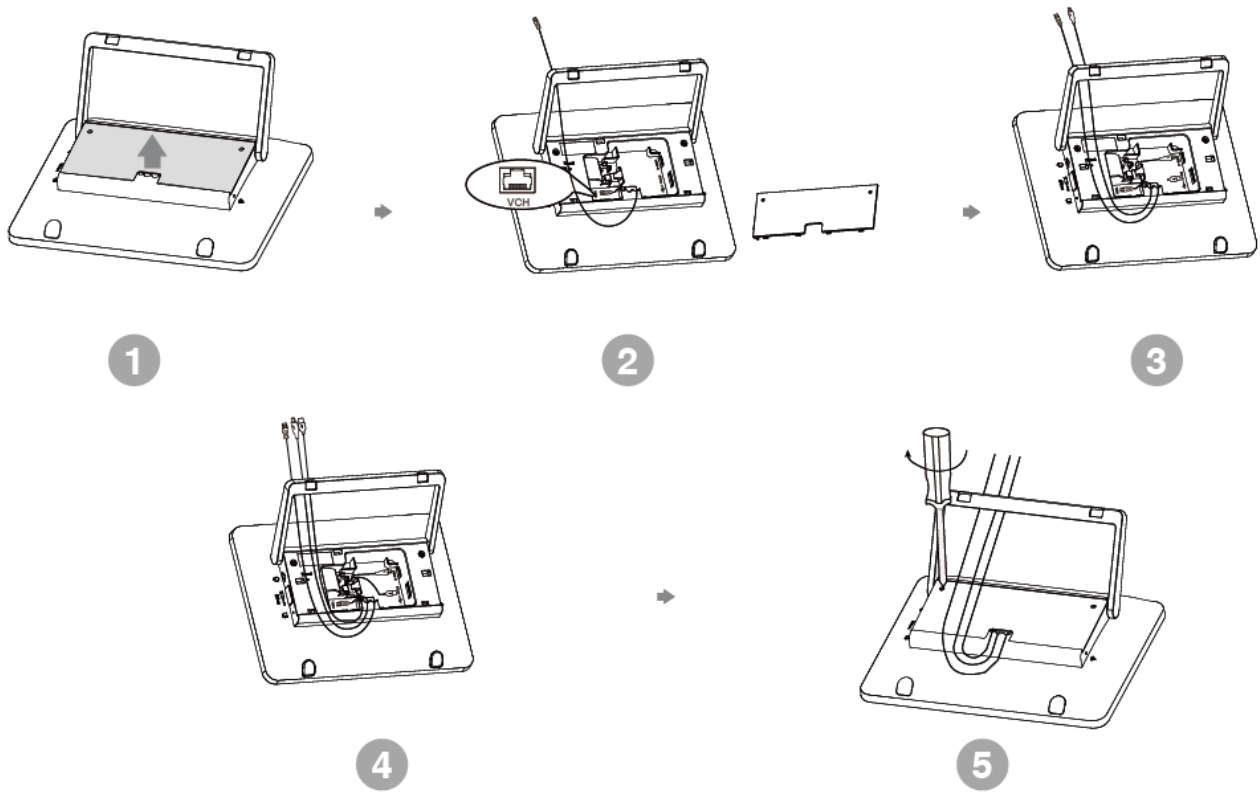
Package Contents



NOTE

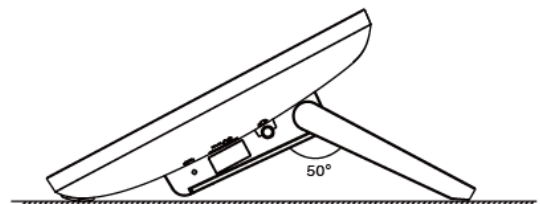
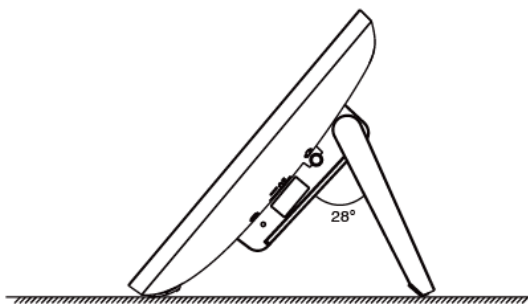
We recommend that you use the accessories provided or approved by Yealink. The use of unapproved third-party accessories may result in poor performance.

Assemble MTouch E2

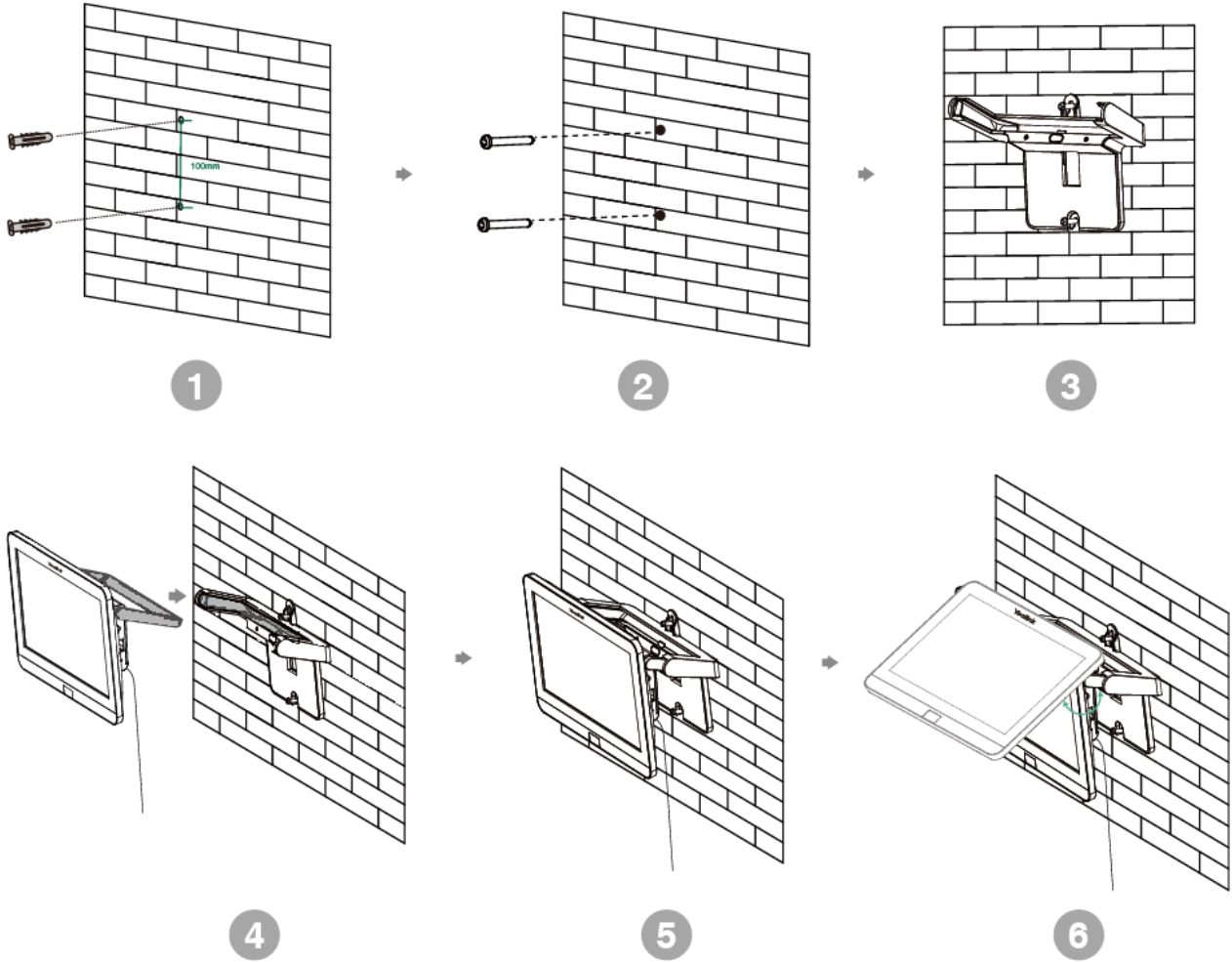


Installation

Put on a table



Mount on a Wall



NOTE

If the conference room environment allows, you can also route the MTouch E2 through the wall.

Connection

