
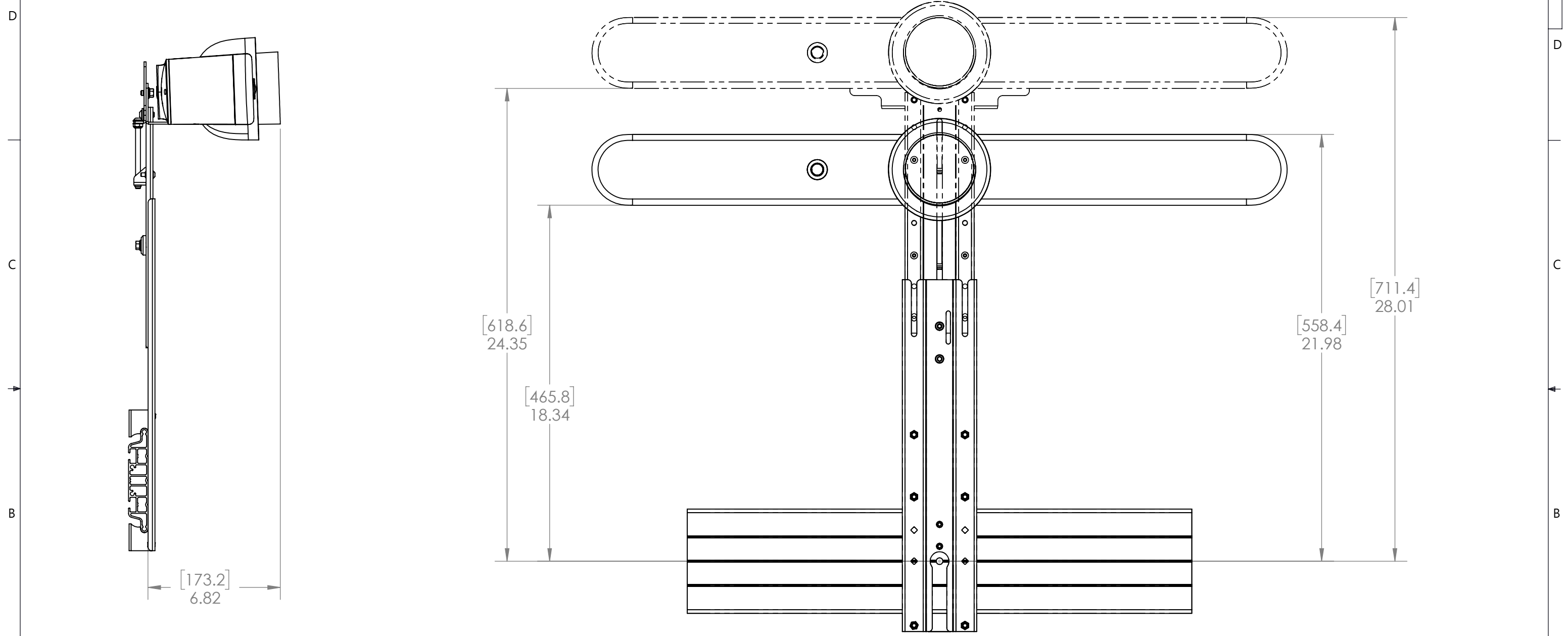


NOTE: VERTICAL ADJUSTMENT RANGE APPLIES TO BOTH LOGITECH RALLY BAR AND RALLY BAR MINI


THE INFORMATION AND DESIGNS CONTAINED IN THIS DRAWING ARE CONFIDENTIAL AND THE PROPRIETARY PROPERTY OF LEGRAND | AV. NEITHER THIS DESIGN NOR ANY INFORMATION CONTAINED IN THIS DRAWING MAY BE REPRODUCED OR DISCLOSED TO OTHERS WITHOUT THE EXPRESS WRITTEN CONSENT OF LEGRAND | AV.

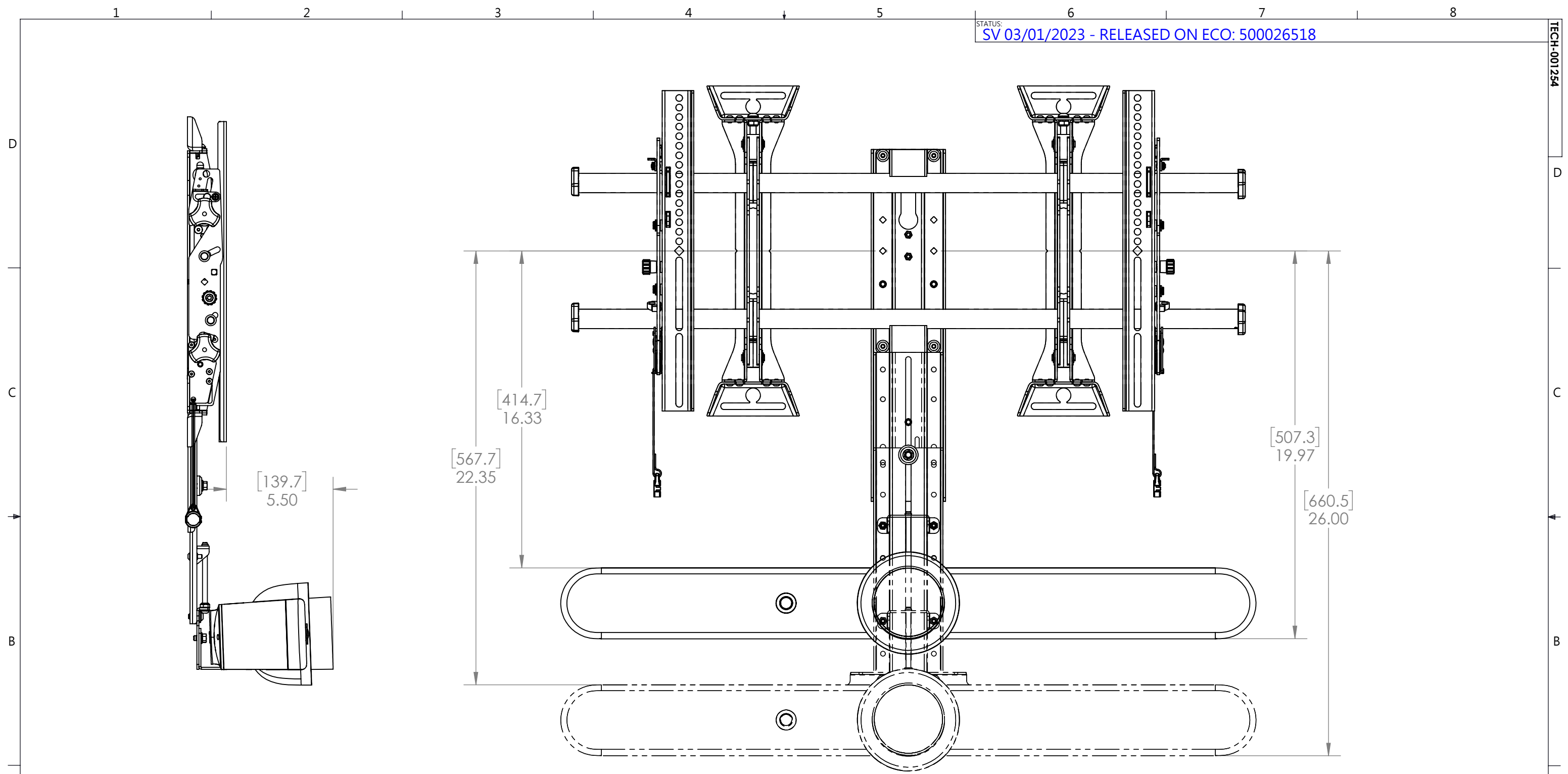
CAD GENERATED DRAWING, DO NOT MANUALLY UPDATE.			 6436 CITY WEST PKWY EDEN PRAIRIE, MN, 55344 PHONE: 866-977-3901 FAX: 877-894-6918	
DRAWN BY	SV	1/27/2023	DESCRIPTION	
ENG APPROVAL			LOGI RALLY BAR MOUNT ABOVE/BELOW DISPLAY	
MFG APPROVAL			MODEL NO.	
QA APPROVAL				
SHEET 1 OF 4		SCALE 1:5	SIZE B	DWG. NO. TECH-001254
				REV. 00



NOTE: VERTICAL ADJUSTMENT RANGE APPLIES TO BOTH LOGITECH RALLY BAR AND RALLY BAR MINI

THE INFORMATION AND DESIGNS CONTAINED IN THIS DRAWING ARE CONFIDENTIAL AND THE PROPRIETARY PROPERTY OF LEGRAND | AV. NEITHER THIS DESIGN NOR ANY INFORMATION CONTAINED IN THIS DRAWING MAY BE REPRODUCED OR DISCLOSED TO OTHERS WITHOUT THE EXPRESS WRITTEN CONSENT OF LEGRAND | AV.

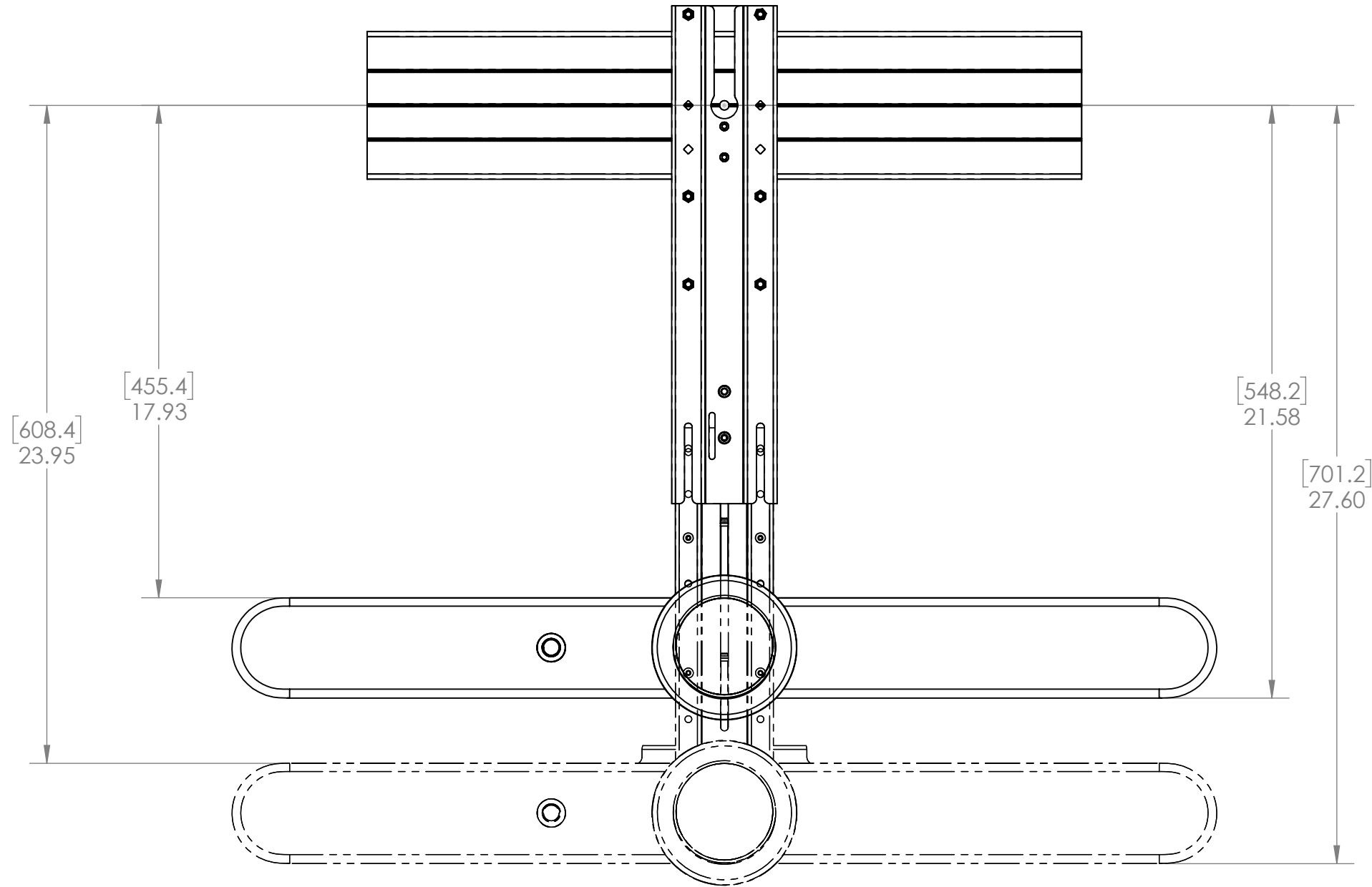
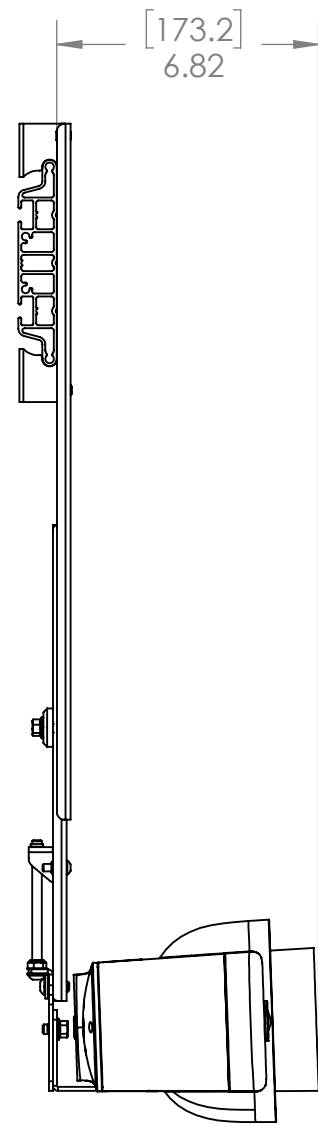
CAD GENERATED DRAWING, DO NOT MANUALLY UPDATE.			 6436 CITY WEST PKWY EDEN PRAIRIE, MN, 55344 PHONE: 866-977-3901 FAX: 877-894-6918	
DRAWN BY	SV	1/27/2023	DESCRIPTION	
ENG APPROVAL			LOGI RALLY BAR MOUNT ABOVE/BELOW DISPLAY	
MFG APPROVAL			MODEL NO.	
QA APPROVAL				
SHEET 2 OF 4		SCALE 1:5	SIZE B	DWG. NO. TECH-001254
				REV. 00



NOTE: VERTICAL ADJUSTMENT RANGE APPLIES TO BOTH LOGITECH RALLY BAR AND RALLY BAR MINI

THE INFORMATION AND DESIGNS CONTAINED IN THIS DRAWING ARE CONFIDENTIAL AND THE PROPRIETARY PROPERTY OF LEGRAND | AV. NEITHER THIS DESIGN NOR ANY INFORMATION CONTAINED IN THIS DRAWING MAY BE REPRODUCED OR DISCLOSED TO OTHERS WITHOUT THE EXPRESS WRITTEN CONSENT OF LEGRAND | AV.

CAD GENERATED DRAWING, DO NOT MANUALLY UPDATE.			6436 CITY WEST PKWY EDEN PRAIRIE, MN, 55344 PHONE: 866-977-3901 FAX: 877-894-6918	
DRAWN BY	SV 1/27/2023		DESCRIPTION	
ENG APPROVAL		LOGI RALLY BAR MOUNT ABOVE/BELOW DISPLAY		
MFG APPROVAL		MODEL NO.		
QA APPROVAL		SIZE	DWG. NO.	REV.
SHEET 3 OF 4		SCALE	B TECH-001254	00



NOTE: VERTICAL ADJUSTMENT RANGE APPLIES TO BOTH LOGITECH RALLY BAR AND RALLY BAR MINI

THE INFORMATION AND DESIGNS CONTAINED IN THIS DRAWING ARE CONFIDENTIAL AND THE PROPRIETARY PROPERTY OF LEGRAND | AV. NEITHER THIS DESIGN NOR ANY INFORMATION CONTAINED IN THIS DRAWING MAY BE REPRODUCED OR DISCLOSED TO OTHERS WITHOUT THE EXPRESS WRITTEN CONSENT OF LEGRAND | AV.

CAD GENERATED DRAWING, DO NOT MANUALLY UPDATE.				6436 CITY WEST PKWY EDEN PRAIRIE, MN, 55344 PHONE: 866-977-3901 FAX: 877-894-6918	
DRAWN BY	SV	1/27/2023	DESCRIPTION		
ENG APPROVAL			LOGI RALLY BAR MOUNT ABOVE/BELOW DISPLAY		
MFG APPROVAL			MODEL NO.		
QA APPROVAL					
SHEET 4 OF 4		SCALE	SIZE	DWG. NO.	REV.
		1:5	B	TECH-001254	00