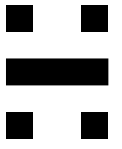


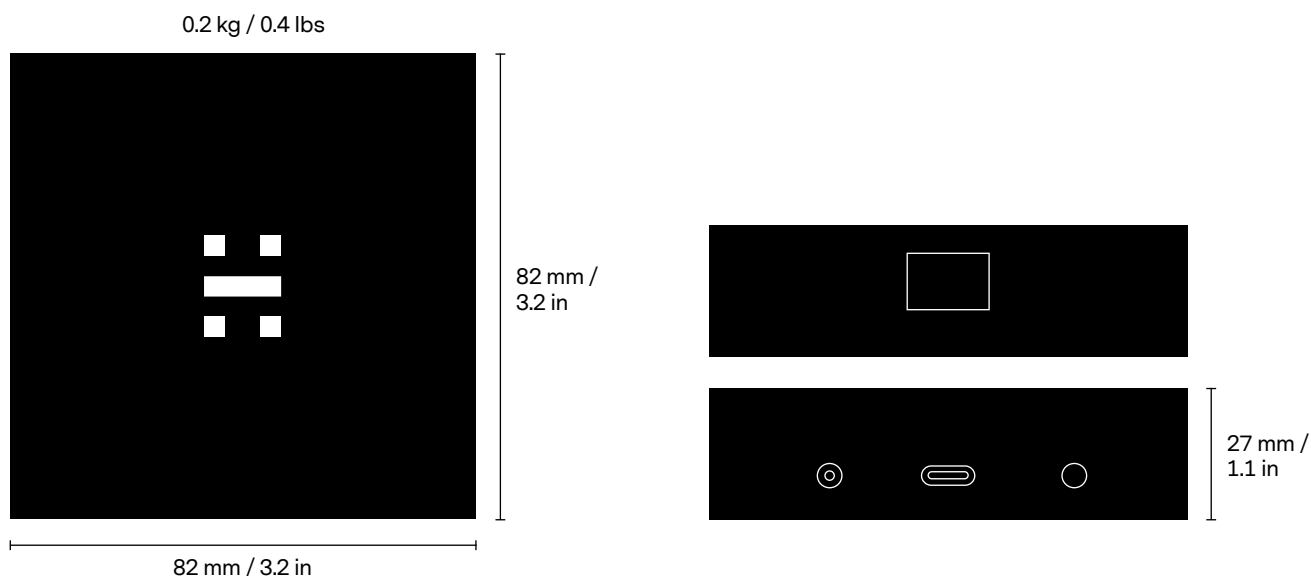
Huddly USB Adapter



**USB plug-and-play for
Huddly Crew, L1 and S1**



Huddly USB Adapter



The Huddly USB Adapter enables plug-and-play connectivity between Huddly Crew, L1, S1 and your meeting room device.

Features

- USB plug-and-play for Huddly Crew, L1 and S1
- USB Video Class (UVC) support
- PoE output to power connected camera

Connectivity

- USB Type-C port supporting USB 2/3 (to host computer)
- RJ45 gigabit Ethernet port to camera
- DC power connector

Power Requirements

Requires external 5V 3A power using the included external AC/DC 5V 4A power adapter.

Hardware Specifications

- Aluminum body
- Built-in magnet for easy mounting to metal
- Wall mount plate (included)

Color

Matte Black

System & Hardware Requirements

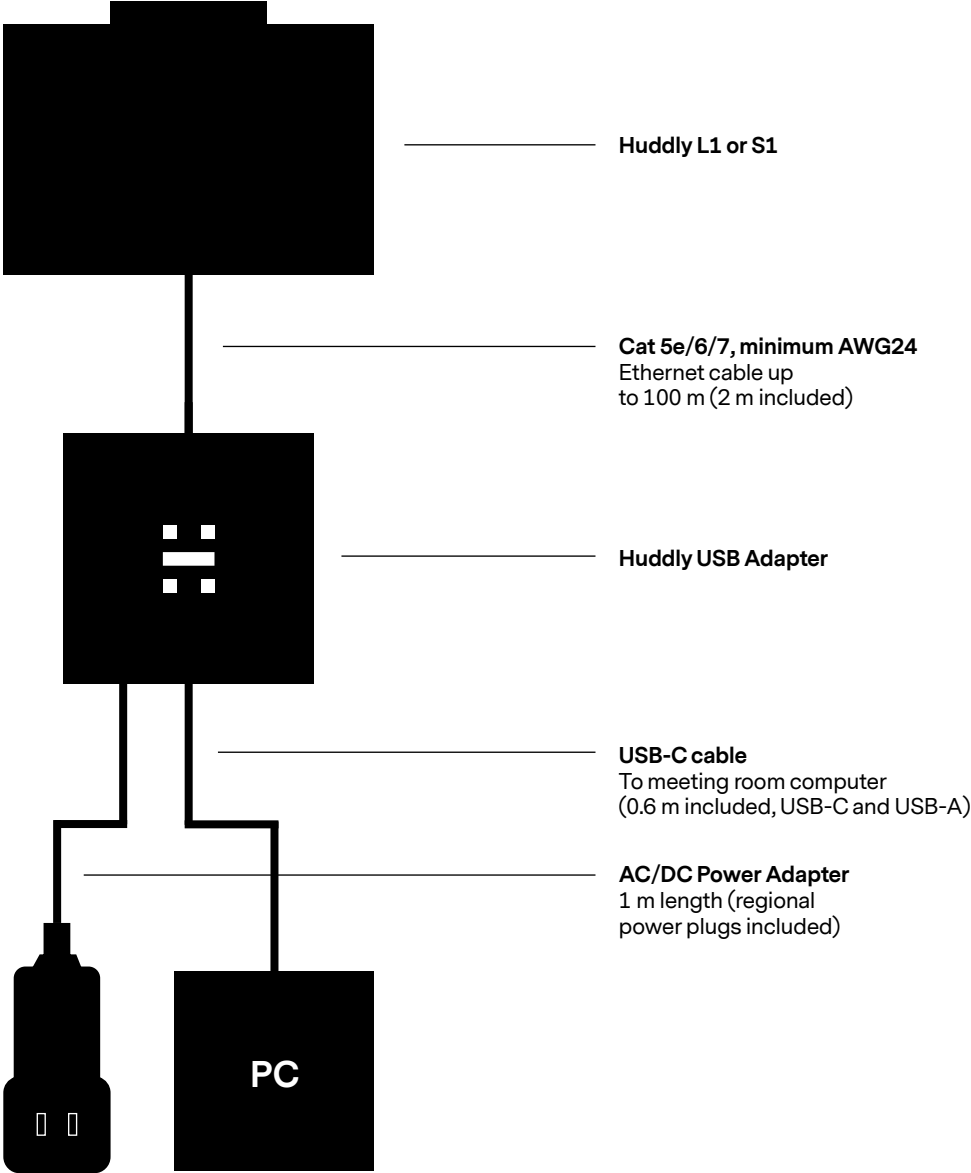
Any operating system with built-in USB plug-and-play support, including:

- Windows 10 or later
- macOS
- ChromeOS

Huddly USB Adapter

Connectivity for Huddly L1 and S1

Huddly L1 and S1 connect to the USB Adapter with a CAT6 Ethernet cable, allowing for distances of up to 100 m. The camera kit includes USB-C and USB-A cables for connecting to your meeting room devices.



Huddly USB Adapter

Connectivity for Huddly Crew

The Huddly Crew Ethernet switch connects to the USB Adapter with a CAT6 Ethernet cable, allowing for distances of up to 100 m. The camera kit includes USB-C and USB-A cables for connecting to your meeting room devices.

