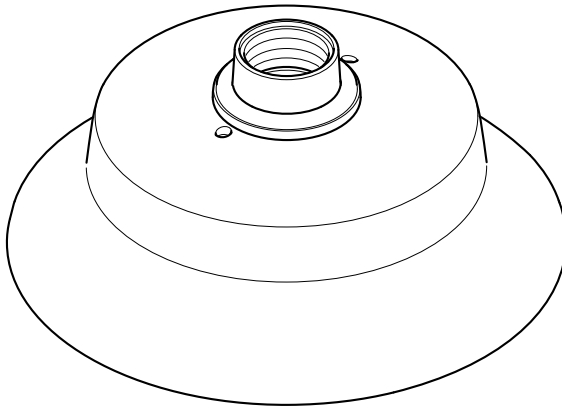
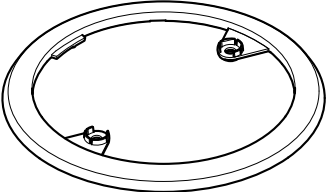


## AXIS TQ3103-E Pendant Kit

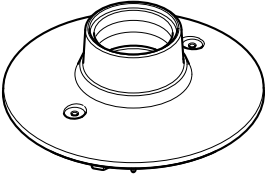


**Installation guide**

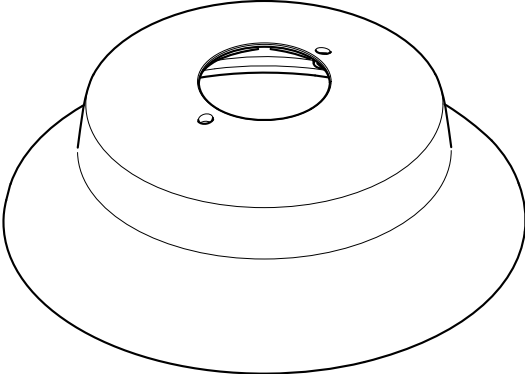
# AXIS TQ3103-E Pendant Kit



**1x**



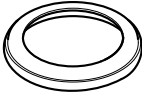
**1x**



**1x**

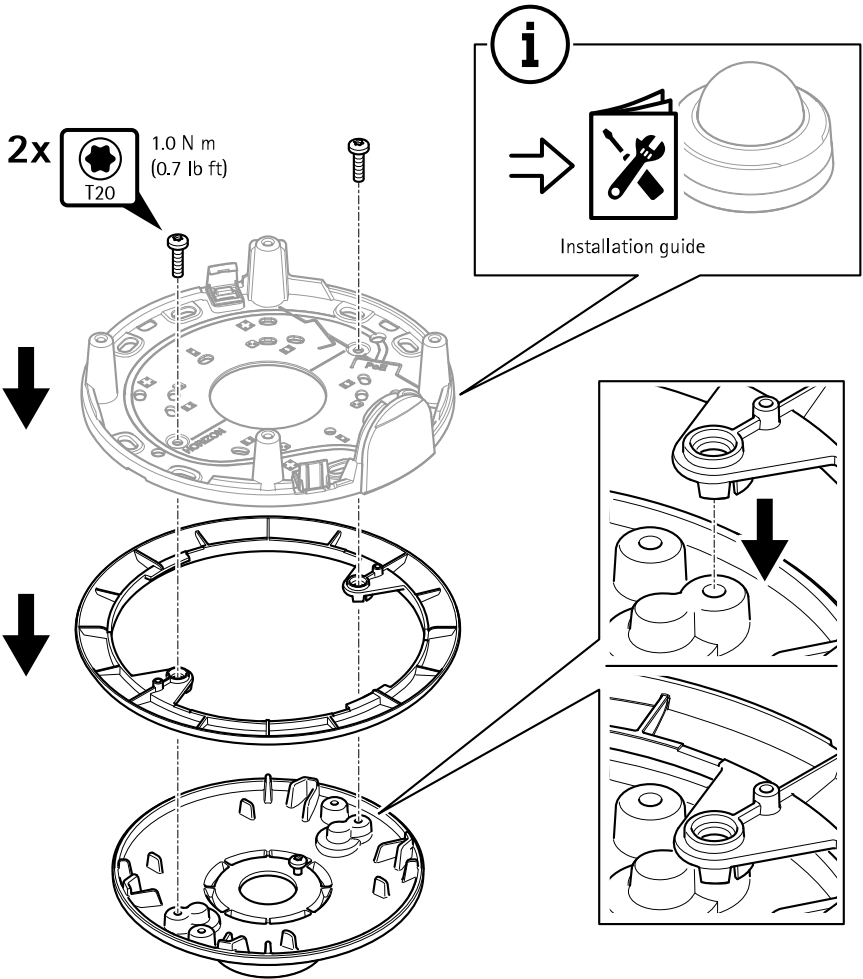


**2x**

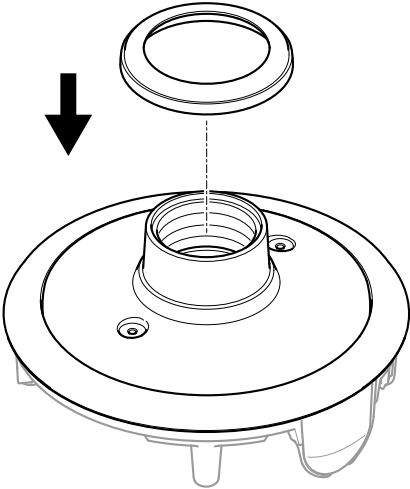


**1x**

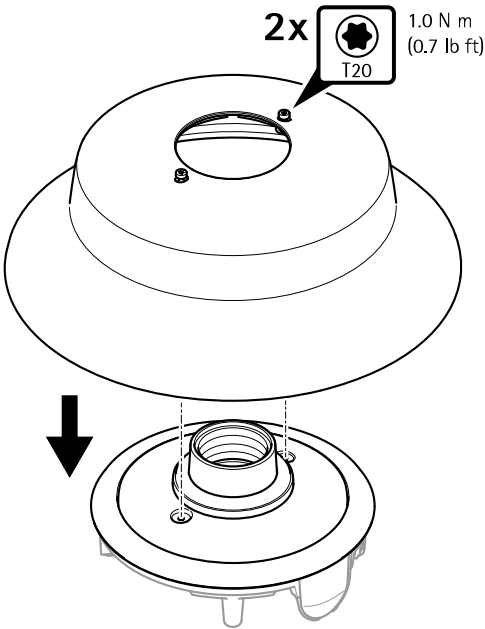
# 1.1



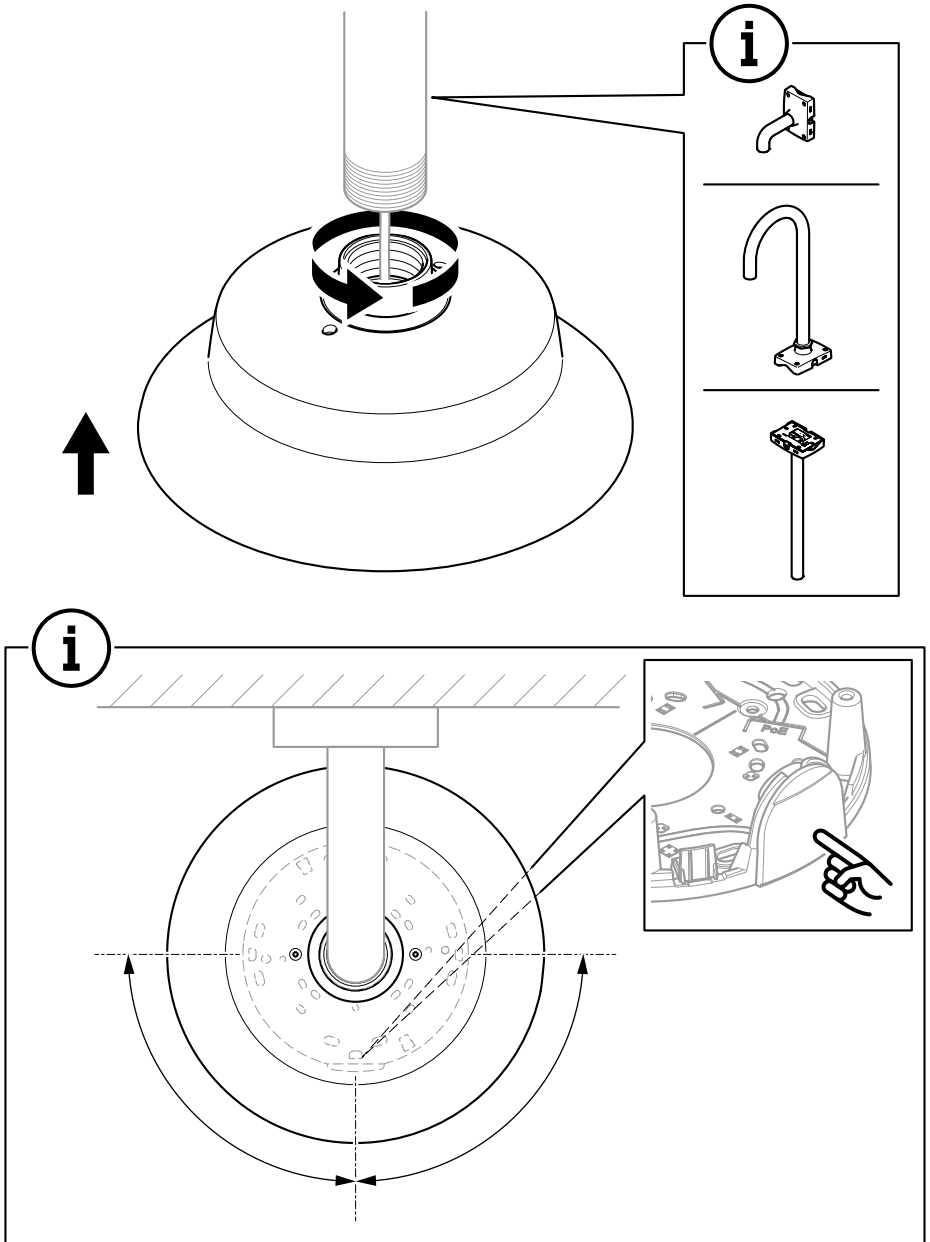
# 1.2



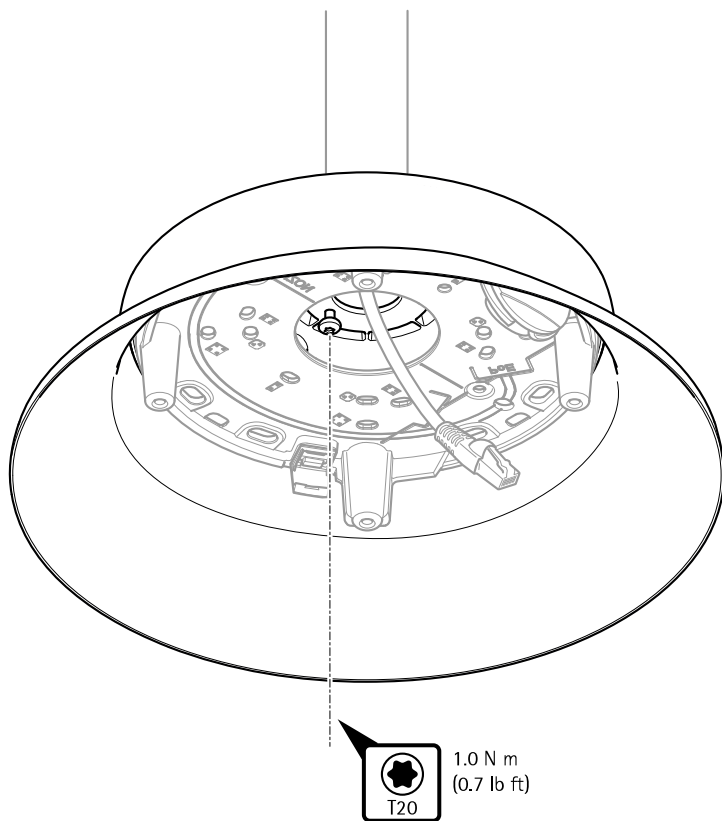
# 1.3



# 1.4



# 1.5



# 1.6

