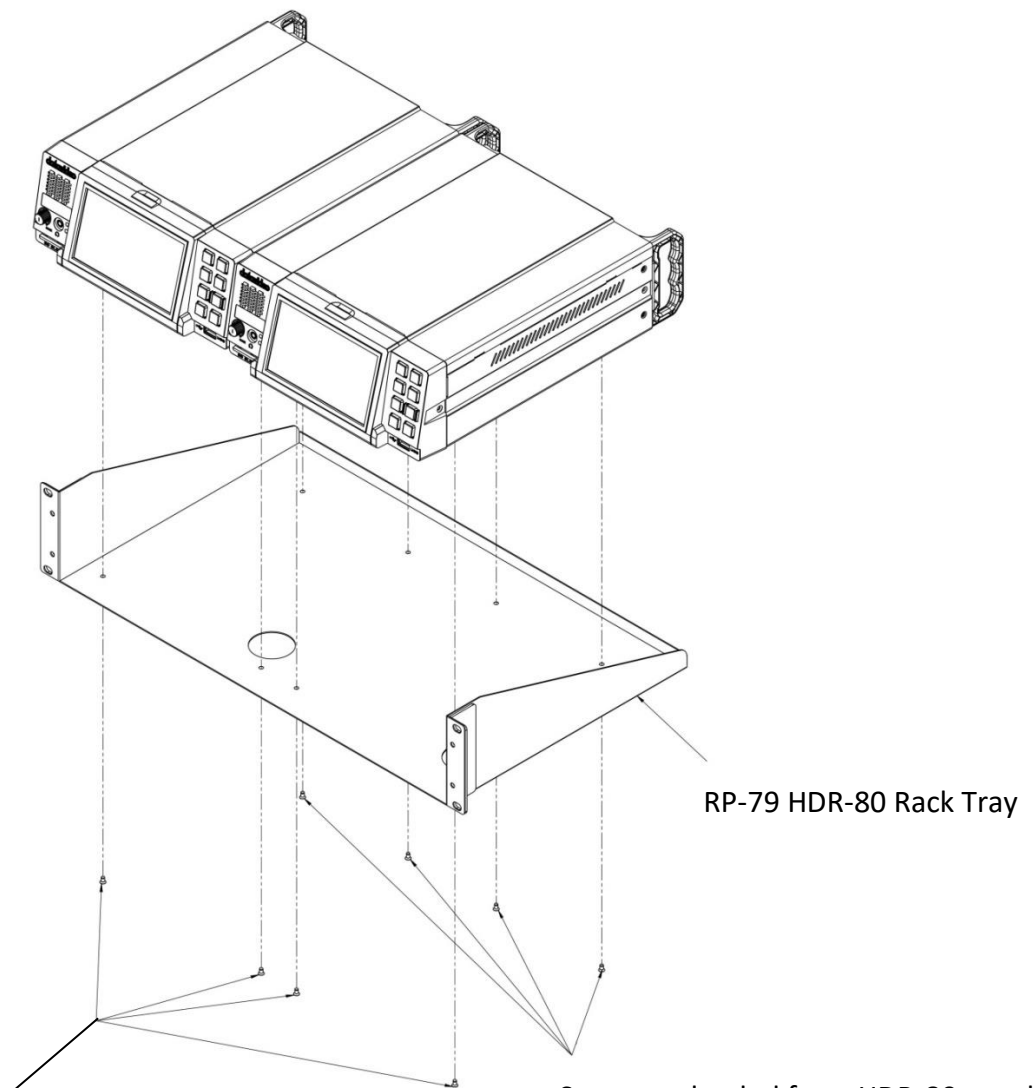




Quick Assembly Guide - RP-79 HDR-80 Rack Tray (2U)

RP-79 is an HDR-80 Rack Tray designed to accommodate two HDR-80 recorders, thereby facilitating dual machine operation in OB Vans or studios.



Four screws in the product package used for securing the HDR-80 front to the rack tray.

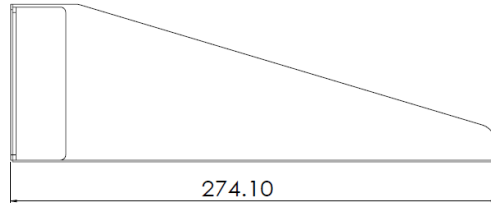
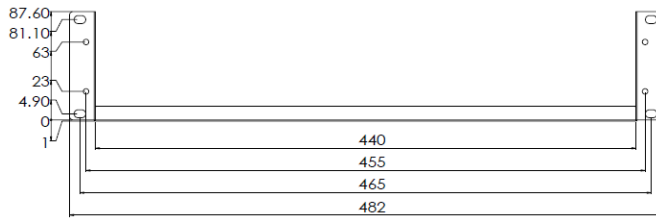
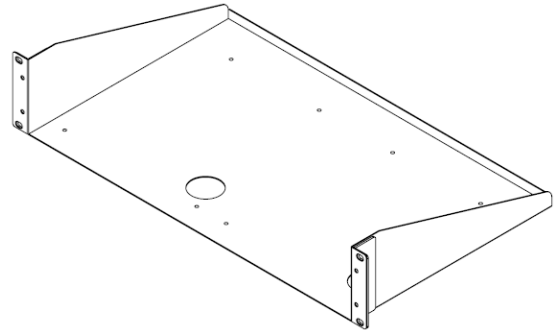
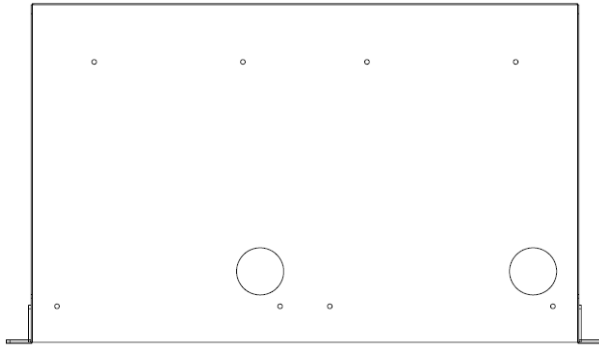
G0911D300511

Nylok screws Countersunk/Flat Head $\phi 3.0 \times 5 \text{mm}$
(Black) for thin board ROHS

Screws unloaded from HDR-80, used for securing the rear to the rack tray

There are four extra G0911D501011 Nylok screws Round Head with spring washer M5x10mm (Black) for securing HDR-80 to the rack tray.

Unit: mm



G082062778E1