

AXIS M3905-R Dome Camera

2 MP onboard surveillance

This compact and discreet 2 MP onboard camera complies with transportation-industry regulations including fire-safety for buses. It can withstand vibrations and a wide range of temperatures. Additionally, with AXIS TP3826-E housing this dome camera can be mounted on the outside of a bus. Thanks to Lightfinder and Forensic WDR, it provides details even in challenging light conditions. And with traffic light mode it can distinguish the color of traffic lights in dark scenes. Optional M12 lenses are available to adjust field of view for customized monitoring purposes.

- > **Compact, rugged design**
- > **88° Horizontal field of view**
- > **Lightfinder and Forensic WDR**
- > **Zipstream**
- > **Traffic Light mode**



AXIS M3905-R Dome Camera

| | | | |
|--|--|-----------------------------------|---|
| Models | AXIS M3905-R RJ45 AXIS M3905-R M12 | Onscreen controls | Video streaming indicator Wide dynamic range Privacy masks |
| Camera | | Event conditions | Device status: above operating temperature, above or below operating temperature, below operating temperature, IP address removed, network lost, new IP address, storage failure, system ready, within operating temperature Edge storage: recording ongoing, storage disruption I/O: manual trigger, virtual input MQTT subscribe Scheduled and recurring: scheduled event Video: average bitrate degradation, live stream open, tampering |
| Image sensor | 1/2.9" Progressive scan RGB CMOS Pixel size 2.8 µm | Event actions | Guard tours Upload images or video clips: FTP, HTTP, HTTPS, SFTP, email and network share Notification: HTTP, HTTPS, TCP and email Overlay text Preset positions Record video: SD card and network share SNMP trap messages WDR mode MQTT publish |
| Lens | 3.6 mm, F2.0 Horizontal field of view: 88° Vertical field of view: 47° Minimum focus distance: 0.3 m (1 ft) M12 mount, fixed iris See Optional accessories for exchangeable lenses | Built-in installation aids | Pixel counter |
| Minimum illumination | Color: 0.13 lux at 50 IRE F2.0 | Analytics | |
| Shutter speed | With WDR: 1/19000 s to 1/5 s No WDR: 1/17000 s to 1/5 s | Applications | Included AXIS Video Motion Detection, active tampering alarm ^b AXIS Tampering Detection ^b Supported AXIS Fence Guard, AXIS Loitering Guard, AXIS Motion Guard Support for AXIS Camera Application Platform enabling installation of third-party applications, see axis.com/acap |
| Camera angle adjustment | Pan: ±30° Tilt: 15-90° Rotation: ±175° | Approvals | |
| System on chip (SoC) | | Product markings | CE, ECE, KC, RCM, UL/cUL, UKCA, VCCI, WEEE |
| Model | S6LM55 | Supply chain | TAA compliant |
| Memory | 1024 MB RAM, 512 MB Flash | EMC | EN 55032 Class A, EN 55035, EN 61000-6-1, EN 61000-6-2, ECE R10 rev.06 (E approval), EN 50498, Australia/New Zealand: RCM AS/NZS CISPR 32 Class A Canada: ICES-3(A)/NMB-3(A) Japan: VCCI Class A, Korea: KS C 9835, KS C 9832 Class A, USA: FCC Part 15 Subpart B Class A |
| Video | | Safety | IEC/EN/UL 62368-1, CAN/CSA C22.2 No. 62368-1, UN ECE R118 |
| Video compression | H.264 (MPEG-4 Part 10/AVC) Baseline, Main and High Profiles H.265 (MPEG-H Part 2/HEVC) Main Profile Motion JPEG | Environment | IEC/EN 60529 IP66, IEC/EN 60529 IP67, parts of Parts of NEMA 250 Type 4X (ingress of water and gasket test), IEC/EN 62262 IK10, IEC 60721-3-5 Class 5M3 (vibration and shock), IEC 60068-2-1, IEC 60068-2-2, IEC 60068-2-27, IEC 60068-2-64, IEC 60068-2-78, IEC 60068-2-14 |
| Resolution | 16:9: 1920x1080 to 640x360 16:10: 1280x800 to 640x400 4:3: 1280x960 to 320x240 | Network | NIST SP500-267 |
| Frame rate | Up to 25/30 fps (50/60 Hz) in all resolutions 45 fps in 720p Capture mode 2MP 1920x1080 (16:9) @25/30 fps Capture mode 1MP 1280x720 (16:9) @45 fps | Cybersecurity | |
| Video streaming | Up to 4 unique and configurable video streams ^a Multiple, individually configurable streams in H.264, H.265 and Motion JPEG Axis Zipstream technology in H.264 and H.265 Controllable frame rate and bandwidth VBR/ABR/MBR H.264 and H.265 Video streaming indicator | Edge security | Software: Signed firmware, brute force delay protection, digest authentication, password protection, AES-XTS-Plain64 256bit SD card encryption Hardware: Secure boot, Axis Edge Vault with Axis device ID, signed video |
| WDR | Forensic WDR: Up to 120 dB depending on scene | Network security | Password protection, IP address filtering, HTTPS ^c encryption, IEEE 802.1x (EAP-TLS) ^c network access control, digest authentication, user access log, centralized certificate management, brute force delay protection, signed firmware, secure boot, firmware with Long Term Support (LTS) firmware ^d IEEE 802.1X (EAP-TLS) ^c , IEEE 802.1AR, HTTPS/HSTS ^c , TLS v1.2/v1.3 ^c , Network Time Security (NTS), X.509 Certificate PKI, IP address filtering |
| Noise reduction | Spatial filter (2D noise reduction) Temporal filter (3D noise reduction) | Documentation | AXIS Hardening Guide AXIS Vulnerability Management Policy AXIS Security Development Model AXIS OS Software Bill of Material (SBOM) To download documents, go to axis.com/support/cybersecurity/resources |
| Image settings | Compression, brightness, sharpness, contrast, white balance, Forensic WDR, exposure control, exposure zones, fine tuning of behavior at low light, rotation: 0°, 90°, 180°, 270° including Corridor Format, dynamic overlay, 32 individual polygonal privacy mask, mirroring of images Scene profiles: forensic, vivid, traffic overview | | |
| Image processing | Axis Zipstream, Forensic WDR, Lightfinder | | |
| Pan/Tilt/Zoom | Digital PTZ, preset positions, guard tour, control queue | | |
| Network | | | |
| Network protocols | IPv4, IPv6 USGv6, HTTP, HTTPS ^c , HTTP/2, TLS ^c , QoS Layer 3 DiffServ, FTP, SFTP, CIFS/SMB, SMTP, mDNS (Bonjour), UPnP [®] , SNMP v1/v2c/v3 (MIB-II), DNS/DNSv6, DDNS, NTP, RTSP, RTP, SRTP, TCP, UDP, IGMPv1/v2/v3, RTCP, ICMP, DHCPv4/v6, ARP, SOCKS, SSH, LLDP, CDP, MQTT v3.1.1, Syslog, Link-Local address (ZeroConf) | | |
| System integration | | | |
| Application Programming Interface | Open API for software integration, including VAPIX [®] and AXIS Camera Application Platform (ACAP); specifications at axis.com/developer-community . ACAP includes Native SDK and Computer Vision SDK. AXIS Video Hosting System (AVHS) with One-Click Connection One-click cloud connection ONVIF [®] Profile G, ONVIF [®] Profile M, ONVIF [®] Profile S and ONVIF [®] Profile T, specification at onvif.org | | |
| Video management systems | Compatible with AXIS Companion, AXIS Camera Station, video management software from Axis' Application Development Partners available at axis.com/vms | | |

To read more about Axis cybersecurity support, go to axis.com/cybersecurity

AXIS TP3826-E housing, TP3827 Clear Dome Cover, TP3830 Top Black Cover
For more accessories, see axis.com/products/axis-m3905-r#accessories

| General | |
|-----------------------------|--|
| Casing | IP66/67-, Parts of NEMA 250 Type 4X- and IK10-rated aluminum and polycarbonate casing |
| Mounting | Inside vehicles |
| Power | Power over Ethernet (PoE) IEEE 802.3af/802.3at Type 1 Class 1 Typical 2.2 W, max 3.8 W |
| Connectors | RJ45: male, 10BASE-T/100BASE-TX M12: female, rugged, D-coded with rotatable coupling nut All connectors support PoE |
| Storage | Support for microSD/microSDHC/microSDXC card with UHS Speed Class U1 Support for recording to network-attached storage (NAS) For SD card and NAS recommendations see axis.com |
| Operating conditions | -30 °C to 55 °C (-22 °F to 131 °F) Maximum (intermittent): 70 °C (158 °F) Humidity: 10-100% RH (condensing) |
| Storage conditions | -40 °C to 65 °C (-40 °F to 149 °F) |
| Dimensions | Height: 50 mm (1.97 in), ø 110 mm (4.33 in) |
| Weight | 241 g (0.53 lb) |
| Box content | Camera, Installation guide, Windows® decoder 1-user license, lens tool |
| Optional accessories | Lenses Lens M12 2.1 mm, F2.2: horizontal field of view 145° Lens M12 2.8 mm, F1.2: horizontal field of view 107° Lens M12 6 mm, F1.6: horizontal field of view 51° Lens M12 8 mm, F1.6: horizontal field of view 39° Other AXIS T94D01S Mount Bracket, AXIS T94D02S Curved Mount Bracket, Network coupler IP66, Network cable coupler indoor, TM3101 Pendant Wall Mount, |

| System tools | AXIS Site Designer, AXIS Device Manager, product selector, accessory selector, lens calculator Available at axis.com |
|-------------------------------------|--|
| Languages | English, German, French, Spanish, Italian, Russian, Simplified Chinese, Japanese, Korean, Portuguese, Traditional Chinese |
| Warranty | 5-year warranty, see axis.com/warranty |
| Part numbers | Available at axis.com/products/axis-m3905-r#part-numbers |
| Sustainability | |
| Substance control | PVC free, BFR/CFR free RoHS in accordance with EU RoHS Directive 2011/65/EU/ and EN 63000:2018 REACH in accordance with (EC) No 1907/2006. For SCIP UUID, see axis.com/partner . |
| Materials | Recycled aluminum: 95% Screened for conflict minerals in accordance with OECD guidelines To read more about sustainability at Axis, go to axis.com/about-axis/sustainability |
| Environmental responsibility | axis.com/environmental-responsibility Axis Communications is a signatory of the UN Global Compact, read more at unglobalcompact.org |

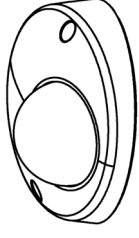
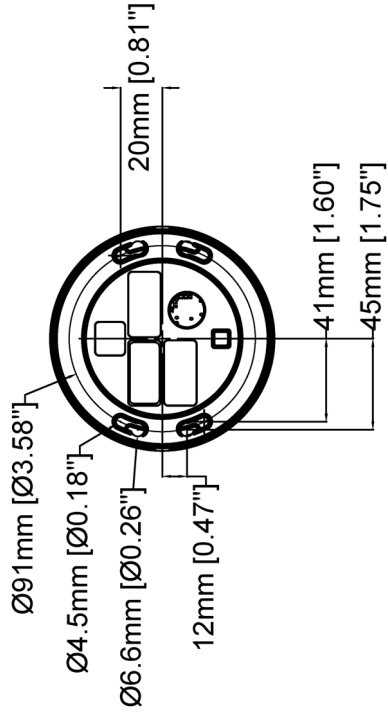
- We recommend a maximum of 3 unique video streams per camera or channel, for optimized user experience, network bandwidth, and storage utilization. A unique video stream can be served to many video clients in the network using multicast or unicast transport method via built-in stream reuse functionality.*
- For detection of tampering attempts in static and non-crowded scenes.*
- This product includes software developed by the OpenSSL Project for use in the OpenSSL Toolkit. (openssl.org), and cryptographic software written by Eric Young (eyay@cryptsoft.com).*
- In the LTS track for firmware upgrades, improvements are focused on cybersecurity and stability. New features are available in the firmware from the Active track*

Detect, Observe, Recognize, Identify (DORI)

| | DORI definition | Distance |
|-----------|---------------------|-------------------|
| Detect | 25 px/m (8 px/ft) | 50.6 m (166.0 ft) |
| Observe | 63 px/m (19 px/ft) | 20.1 m (65.9 ft) |
| Recognize | 125 px/m (38 px/ft) | 10.1 m (33.1 ft) |
| Identify | 250 px/m (76 px/ft) | 5.1 m (16.7 ft) |

Axis calculates the DORI values using pixel densities for different use cases as recommended by the EN-62676-4 standard. The calculations use the center of the image as the reference point and consider lens distortion. The possibility to recognize or identify a person or object depends on

factors such as object motion, video compression, lighting conditions, and camera focus. Use margins when planning. The pixel density varies across the image, and the calculated values can differ from the distances in the real world.

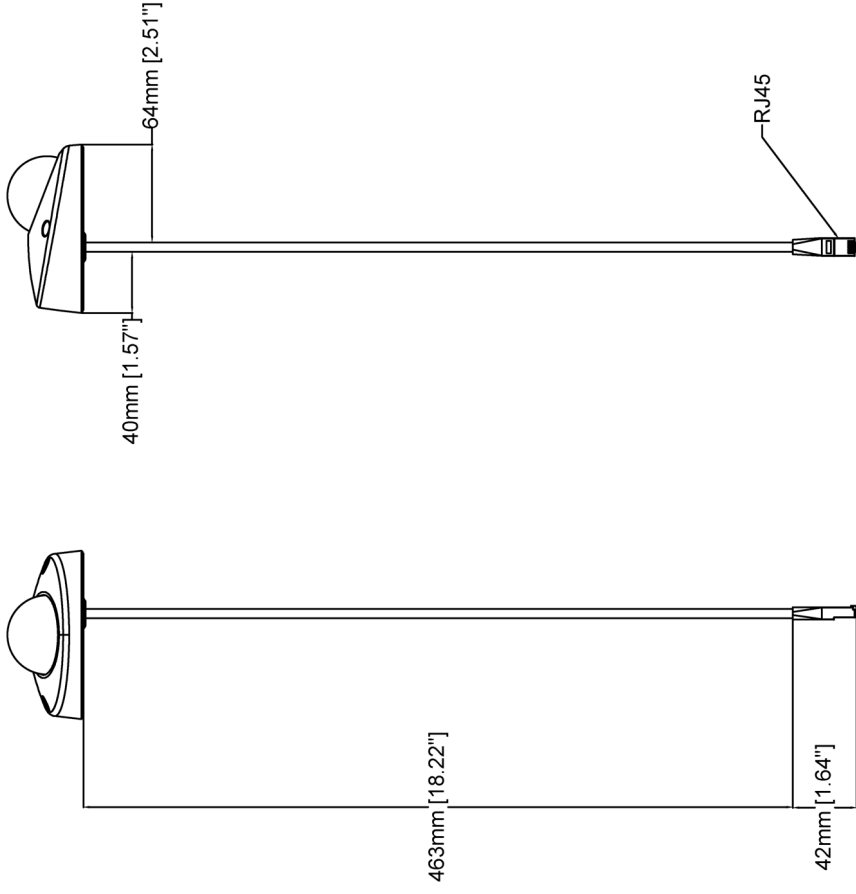


AXIS M3905-R Dome Camera

www.axis.com

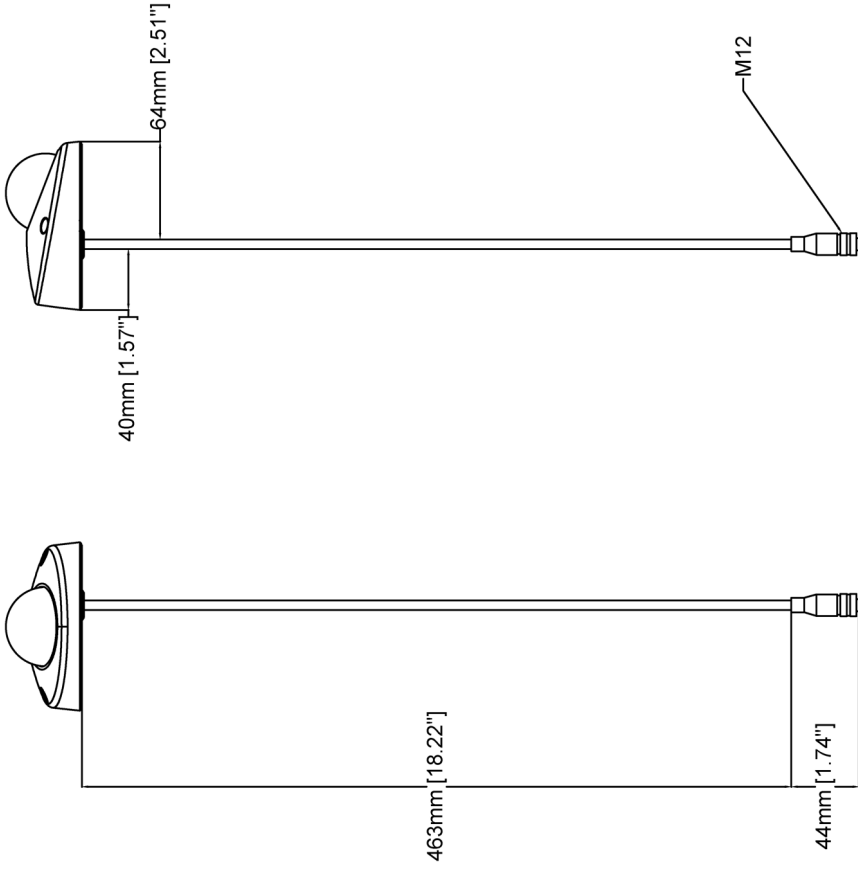
| | | | |
|------------|------|---------------|------------|
| Revision | v.01 | Revision date | 2022-12-14 |
| Paper size | A4 | Release date | 2022-12-14 |
| Created by | MS | Scale | 1:3 |

© 2022 Axis Communications



| | | | |
|------------|------|---------------|------------|
| Revision | v.01 | Revision date | 2022-12-14 |
| Paper size | A4 | Release date | 2022-12-14 |
| Created by | MS | Scale | 1:4 |

© 2022 Axis Communications



AXIS M3905-R Dome Camera

www.axis.com

| | | | |
|------------|------|---------------|------------|
| Revision | v.01 | Revision date | 2022-12-14 |
| Paper size | A4 | Release date | 2022-12-14 |
| Created by | MS | Scale | 1:4 |

© 2022 Axis Communications

Key features and technologies

Built-in cybersecurity

Axis Edge Vault is a secure cryptographic compute module (secure module or secure element) in which the Axis device ID is securely and permanently installed and stored.

Secure boot is a boot process that consists of an unbroken chain of cryptographically validated software, starting in immutable memory (boot ROM). Being based on signed firmware, secure boot ensures that a device can boot only with authorized firmware. Secure boot guarantees that the Axis device is completely clean from possible malware after resetting to factory default.

Signed firmware is implemented by the software vendor signing the firmware image with a private key, which is secret. When firmware has this signature attached to it, a device will validate the firmware before accepting and installing it. If the device detects that the firmware integrity is compromised, it will reject the firmware upgrade. Axis signed firmware is based on the industry-accepted RSA public-key encryption method.

Zipstream

The Axis Zipstream technology preserves all the important forensic in the video stream while lowering bandwidth and storage requirements by an average of 50%. Zipstream also

includes three intelligent algorithms, which ensure that relevant forensic information is identified, recorded, and sent in full resolution and frame rate.

Forensic WDR

Axis cameras with wide dynamic range (WDR) technology make the difference between seeing important forensic details clearly and seeing nothing but a blur in challenging light conditions. The difference between the darkest and the brightest spots can spell trouble for image usability and clarity. Forensic WDR effectively reduces visible noise and artifacts to deliver video tuned for maximal forensic usability.

Lightfinder

The Axis Lightfinder technology delivers high-resolution, full-color video with a minimum of motion blur even in near darkness. Because it strips away noise, Lightfinder makes dark areas in a scene visible and captures details in very low light. Cameras with Lightfinder discern color in low light better than the human eye. In surveillance, color may be the critical factor to identify a person, an object, or a vehicle.

For more information, see [axis.com/glossary](https://www.axis.com/glossary)