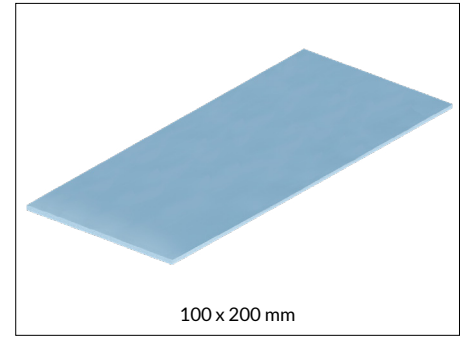
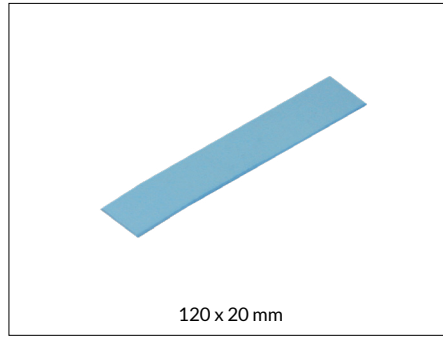
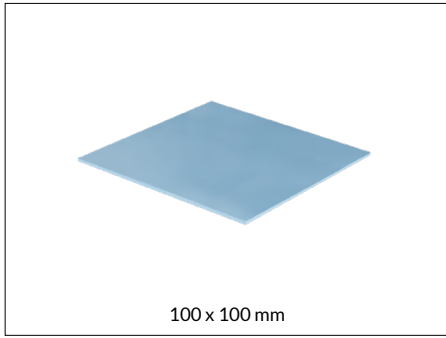


## Premium Performance Thermal Pad



### General Specifications

Colour	Blue
Hardness	55 Shore OO
Continuous Use Temperature	-40~150°C
Specific Gravity	3.4 g/cm <sup>3</sup>
Compression Ratio	42% @50 psi

Tensile Strength	13.7 psi
Breakdown Voltage	7.6 kV/mm
Dielectric Constant @1MHz	5.19 @ 1MHz
Volume Resistance	2.69 x 10 <sup>12</sup> Ω-cm
Flammability	UL94 V-0

### Shipping Information

#### 100 x 100 mm, 0.5 mm

Box Dimension	120 (L) x 115 (W) x 1.5 (H) mm
Gross Weight	31 g
SKU	ACTPD00052A
EAN	4895213703956
UPC	840033401760

#### 100 x 100 mm, 1 mm

Box Dimension	120 (L) x 115 (W) x 2 (H) mm
Gross Weight	46 g
SKU	ACTPD00053A
EAN	4895213703963
UPC	840033401777

#### 100 x 100 mm, 1.5 mm

Box Dimension	120 (L) x 115 (W) x 2.5 (H) mm
Gross Weight	52 g
SKU	ACTPD00054A
EAN	4895213703970
UPC	840033401784

## Shipping Information

### 120 x 20 mm, 0.5 mm, 4 Pack

Box Dimension	140 (L) x 95 (W) x 1.5 (H) mm
Gross Weight	27 g
SKU	ACTPD00055A
EAN	4895213703987
UPC	840033401791

### 200 x 100 mm, 0.5 mm, 2 Pack

Box Dimension	220 (L) x 115 (W) x 2.5 (H) mm
Gross Weight	93 g
SKU	ACTPD00058A
EAN	4895213704014
UPC	840033401821

### 120 x 20 mm, 1 mm, 4 Pack

Box Dimension	140 (L) x 95 (W) x 2 (H) mm
Gross Weight	43 g
SKU	ACTPD00056A
EAN	4895213703994
UPC	840033401807

### 200 x 100 mm, 1 mm, 2 Pack

Box Dimension	220 (L) x 115 (W) x 3.5 (H) mm
Gross Weight	161 g
SKU	ACTPD00059A
EAN	4895213704021
UPC	840033401838

### 120 x 20 mm, 1.5 mm, 4 Pack

Box Dimension	140 (L) x 95 (W) x 2.5 (H) mm
Gross Weight	60 g
SKU	ACTPD00057A
EAN	4895213704007
UPC	840033401814

### 200 x 100 mm, 1.5 mm, 2 Pack

Box Dimension	220 (L) x 115 (W) x 4.5 (H) mm
Gross Weight	229 g
SKU	ACTPD00060A
EAN	4895213704038
UPC	840033401845



All materials are compatible with RoHS requirements.

MORE INFORMATION



MANUAL

