

## ! Before You Start

A Tapo Hub is required. Make sure your Tapo Hub is successfully added via the Tapo app.



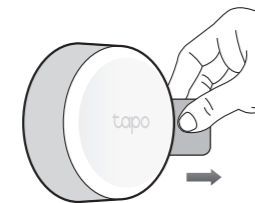
OR



## 1 Power Up Your Switch

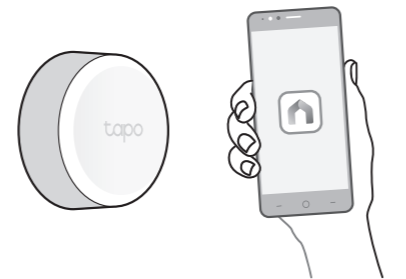
Remove the battery insulation tab to power up your button. The LED should blink.

Note: If the LED is not blinking, refer to the reverse side for reset instructions.



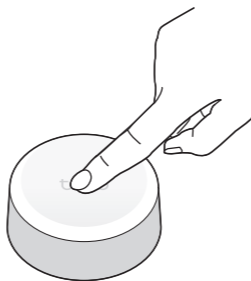
## 2 Set Up Your Switch

Open the Tapo app and tap the ⊕ button. Select **Switches** and then your model. Follow the app instructions to complete setup.



## 3 Test Your Switch

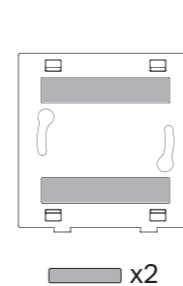
- Press the button to test it in your preferred location.
- Refresh the home page on the Tapo app to confirm its status.



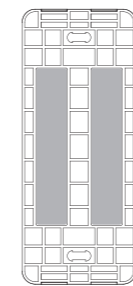
## 4 Secure Your Wallplate

Option 1: Use Adhesives Provided

Stick the included adhesives to the back panel and stick the wallplate to your preferred location.



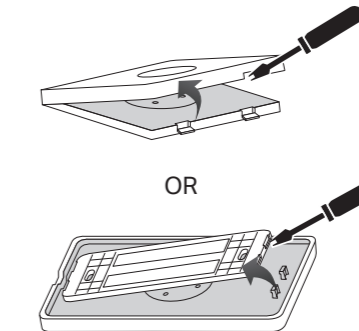
OR



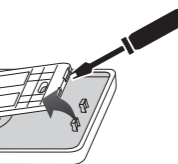
x2

Option 2: Use Screws (Replace Current Wallplate)

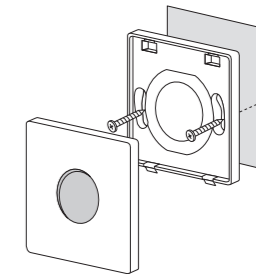
a. Remove the previous switch's wallplate and remove the back panel of the new switch.



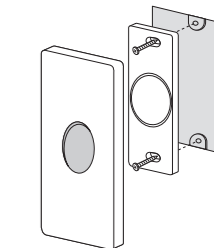
OR



b. Secure the back panel with screws and attach the wallplate to the back panel.

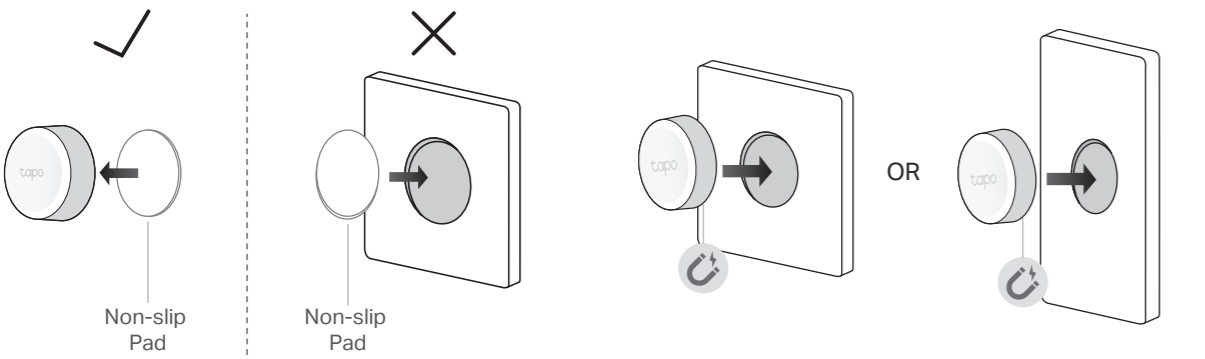


OR



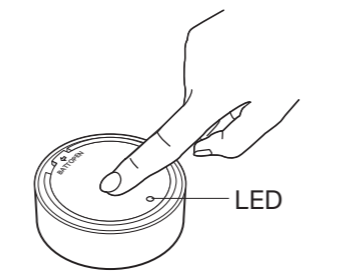
## 5 Magnetically Attach Button to the Wallplate

- a. Attach the non-slip pad to the button (not the wallplate) to keep the button firmly in place.
- b. Magnetically attach the button to the wallplate.



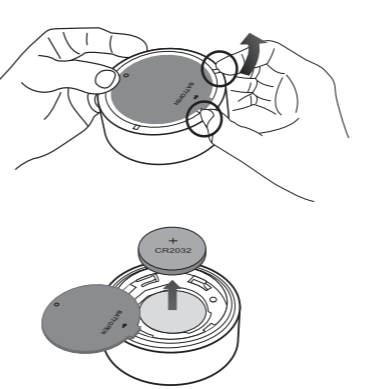
## ? How to Reset Your Switch

- a. Press and hold the button for 5s. The LED will then turn solid on for 10s.
- b. Quickly press the button 3 times while the LED is solid on.
- c. The LED should start to blink.

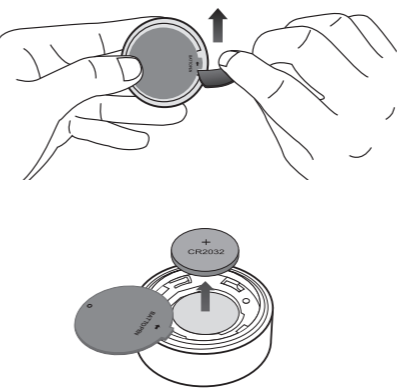


## ? How to Restart Your Switch or Replace the Battery

### Option 1: By Hand



### Option 2: With a Shim



Do not ingest battery, Chemical Burn Hazard  
This product contains a coin / button cell battery. If the coin / button cell battery is swallowed, it can cause severe internal burns in just 2 hours and can lead to death.  
Keep new and used batteries away from children.  
If the battery compartment does not close securely, stop using the product and keep it away from children.  
If you think batteries might have been swallowed or placed inside any part of the body, seek immediate medical attention.  
Safety Information  
Keep the device away from water, fire, humidity or hot environments.  
Do not attempt to disassemble, repair, or modify the device. If you need service, please contact us.  
Do not use the device where wireless devices are not allowed.  
Please read and follow the above safety information when operating the device. We cannot guarantee that no accidents or damage will occur due to improper use of the device. Please use this product with care and operate at your own risk.  
CAUTION!  
Risk of explosion if the battery is replaced by an incorrect type  
Avoid replacement of a battery with an incorrect type that can defeat a safeguard.  
Avoid disposal of a battery into fire or a hot oven, or mechanically crushing or cutting of a battery, that can result in an explosion.  
Do not leave a battery in an extremely high temperature surrounding environment that can result in an explosion or the leakage of flammable liquid or gas; Do not leave a battery subjected to extremely low air pressure that may result in an explosion or the leakage of flammable liquid or gas.  
TP-Link hereby declares that the device is in compliance with the essential requirements and other relevant provisions of directives 2014/53/EU, 2009/125/EC, 2011/65/EU and (EU) 2015/863.  
The original EU declaration of conformity may be found at <https://www.tapo.com/en/support/ce/>  
TP-Link hereby declares that the device is in compliance with the essential requirements and other relevant provisions of the Radio Equipment Regulations 2017.  
The original UK declaration of conformity may be found at <https://www.tapo.com/support/ukca/>  
For EU/UK Region:  
Operating Frequency / Nominal Operating Frequency / Max Output Power:  
863~865MHz / 863.35MHz / 25mW (e.r.p)  
863~865MHz / 864.35MHz / 25mW (e.r.p)  
868~868.6MHz / 868.35MHz / 25mW (e.r.p)  
EAC CE UK CA ©2022 TP-Link

For technical support, the user guide and more information, please visit <https://www.tapo.com/support/>



# Quick Start Guide

## Smart Remote Dimmer Switch

Setup Video  
Scan QR code or visit  
<https://www.tp-link.com/support/setup-video/#home-smart-switches>

