

MUSIC

TRENDY COAT STAND

Music, the coat stand with Scandinavian trends for a stylish and elegant workspace



6 large wooden hooks for clothing care + 3 hooks



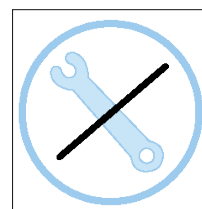
Practical umbrella holder (6)



Weighted base for optimal stability(5kg) + Water retainer



Quick and easy assembly system without tools (5min)



Compact packaging to reduce the environmental impact



The Music coat stand has been designed by mixing different materials with an elegant finish. It consists of 6 pegs and 3 mini hooks to hang your clothes and accessories, an umbrella stand and a weighted base,



The combination of wood and white steel makes this coat stand stylish and trendy for a Scandinavian decorative style for your work and reception areas.

MUSIC

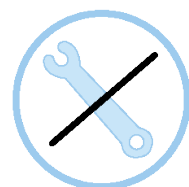
TRENDY COAT STAND

CLOSE ²
CLOTHES

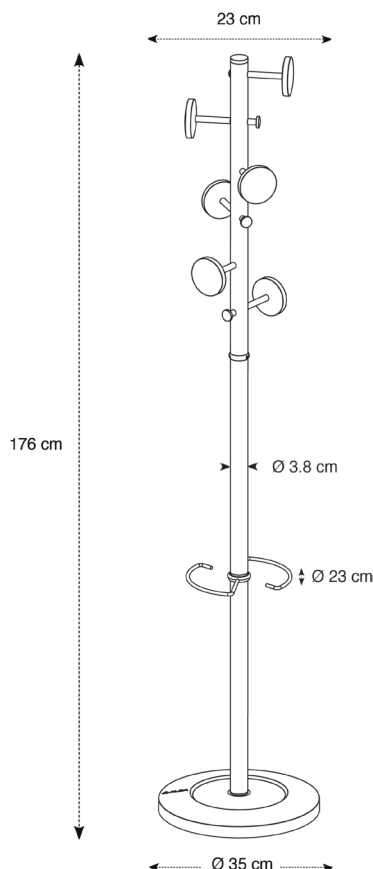
Music, the coat stand with Scandinavian trends for a stylish and elegant workspace

PRODUCT FEATURES	
Reference	PMMUSIC BC
EAN	3129710016204
Materials	Drum : Epoxy painted steel
	Pegs : Wood
	Base cover : ABS
Color	White - Light wood
Product dimensions	Height : 175 cm
	Drum : Ø 3.8 cm
	Base : Ø 35.5 cm
	Weight : 7.5 kg
Number of pegs	6 + 3
Capacity of umbrellas	6
Base	Weighted - 5 kg
Estimated assembly time	5 minutes - Without tools or screws
Origin	French design and development - Manufacturing in PRC
Guarantee	2 years

PACKAGING DIMENSIONS	
* Sales unit (x1SU) Box	Dim. : L. 77.5 cm x W. 38 cm x H. 10.2 cm
	Weight : 8.90 kg
* Box master (x1SU)	Dim. : L. 77.5 cm x W. 38 cm x H. 10.2 cm
	Weight : 8.90 kg



EXISTING DESIGN :



Quand le beau rejoint l'utile