

# BRIO

COAT STAND AT A LOW PRICE

CLOSE <sup>2</sup>  
CLOTHES

Practical and stylish, the Brio coat stand is the ideal accessory for your reception areas



6 large pegs for a perfect clothing care + 3 hooks

Rotating head for easy access to clothing



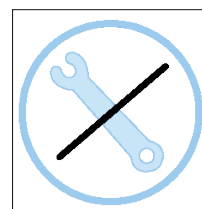
Practical umbrella stand (6) + 4 hooks



Weighted base for optimal stability (5kg) + Water retainer



Quick and easy assembly system without tools (5min)



Compact packaging to reduce the environmental impact



The Brio coat stand will quickly find its place in your workplace. It consists of a rotating head with 6 pegs and 3 black ABS hooks, an umbrella holder that can hold up to 6 umbrellas, a water retainer and a weighted metal base.



Combining practicality and elegance, the Brio coat stand will fit perfectly into your work and reception areas...

# BRIO

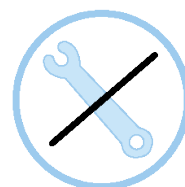
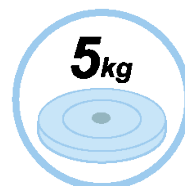
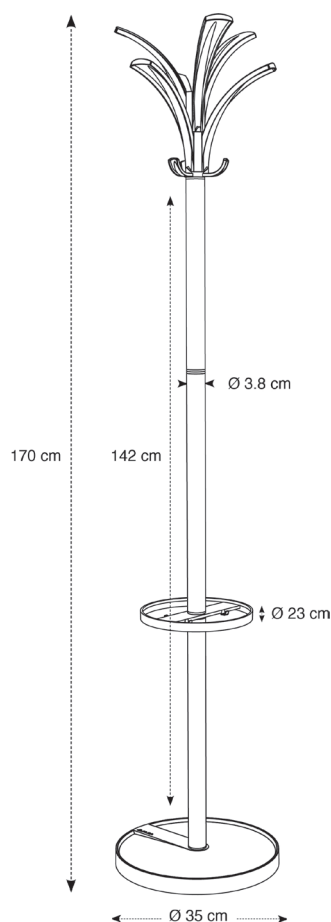
COAT STAND AT A LOW PRICE

**CLOSE 2  
CLOTHES**

Practical and stylish, the Brio coat stand is the ideal accessory for your reception areas

PRODUCT FEATURES	
Reference	PMBRIO N
EAN	3129710012985
Materials	Drum : Epoxy painted steel
	Pegs : ABS
	Base cover : ABS
Color	Black
Product dimensions	Height : 175 cm
	Drum : Ø 3.8 cm
	Base : Ø 35.5 cm
	Weight : 7.6 kg
Number of pegs	6 + 3 hooks
Capacity of umbrellas	6 + 4 hooks
Base	Weighted - 5 kg
Estimated assembly time	5 minutes - Without tools or screws
Origin	French design and development - Manufacturing in PRC
Guarantee	2 years

PACKAGING DIMENSIONS	
* Sales unit (x1SU) Box	Dim. : L. 60 cm x W. 37 cm x H. 10.5 cm
	Weight : 8 kg
* Box master (x1SU)	Dim. : L. 77.5 cm x W. 38 cm x H. 10.2 cm
	Weight : 8 kg



Quand le beau rejoint l'utile