



**INCREASE
MOUNTING
PATTERNS TO
VESA 900**

BT7565

INTERFACE ADAPTOR ARMS

FOR VESA® 900



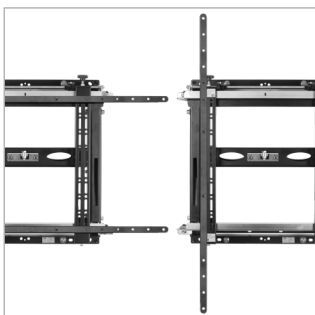
Designed to increase the VESA mounting pattern of smaller mounts to accommodate larger screens, the BT7565 allows VESA 200 or 400 fixings to be increased to VESA 600, 800 & 900. These adaptor arms are ultra-slim to keep the depth of the install to a minimum and can be used with a large variety of existing B-Tech flat screen mounts including System X interface arms. All mounting hardware included.

SPECIFICATION

VESA® compatibility	500, 600, 700, 800 & 900
Max load	dependent on mount to which the BT7565 is attached
Depth increase to the install	6mm
Colour	Black

FEATURES

- Allows VESA 200 or 400 fixings to be increased to VESA 500, 600, 700, 800 & 900
- Can be used for both landscape and portrait installations
- Adaptor arms are ultra-slim to keep the depth of the install to a minimum
- Can be used with a large variety of B-Tech products such as the BT8312, BT8310XL and System X™ Interface arms
- Easily fixes onto interface plates / arms using the screws provided
- TUV certified



Can be used to accommodate both landscape and portrait installations



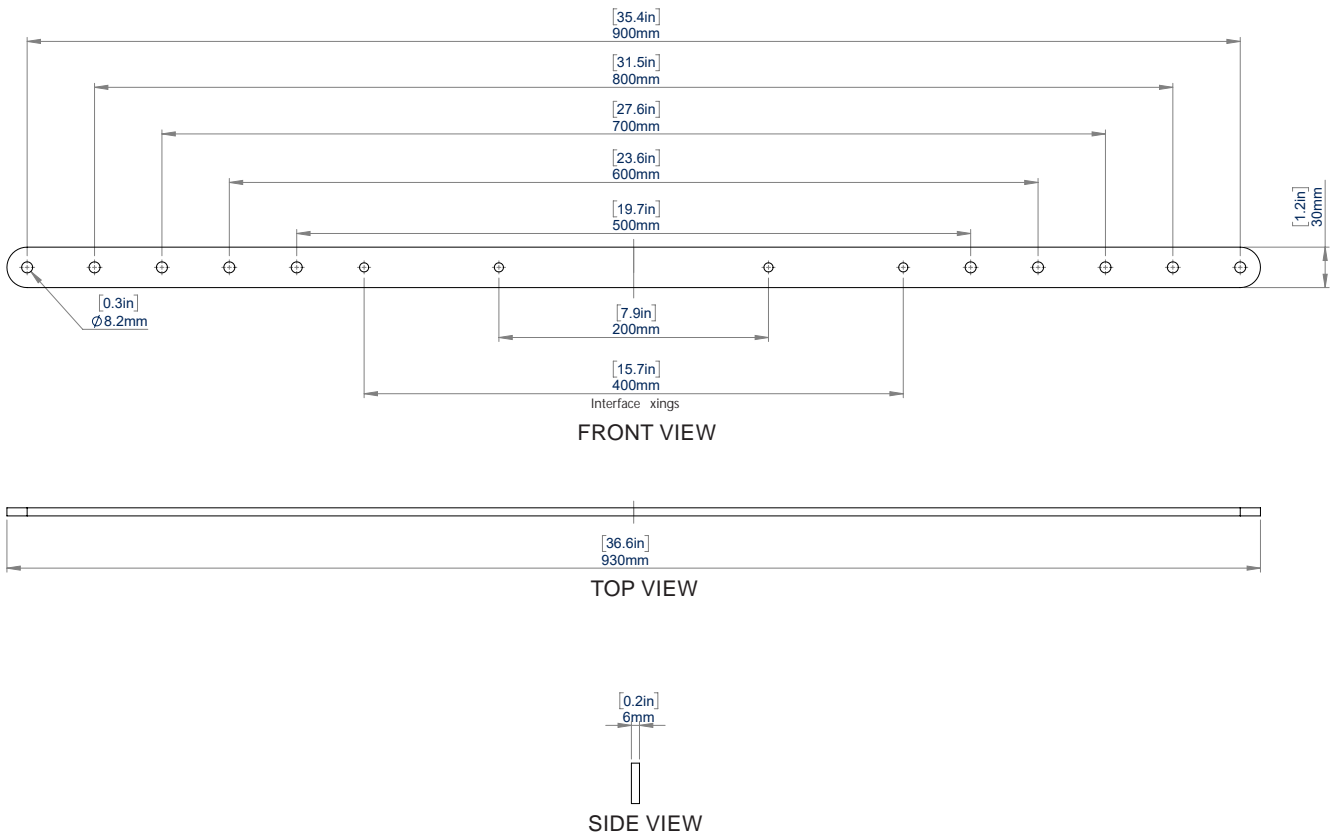
Adaptor arms are ultra-slim to keep the depth of the install to a minimum



Can be used with a large variety of existing B-Tech products such as the BT8310XL, BT8312 and System X™ Interface Arms







Easily fixes onto interface plates / arms using the screws provided



PACKING INFORMATION

COLOUR:	ORDER REF:	EAN CODE:	MASTER CARTON QTY:	INNER CARTON QTY:	MASTER CARTON WEIGHT:	MASTER CARTON CUBE
Black	BT7565/B V2	5019318071072	1	0	2kg	0.0003cbm

ACCESSORIES AND RELATED PRODUCTS

BT7564  Interface Adapter Arms for VESA® 600 x 400	BT7540  Interface Adapter Arms for VESA® 300 x 200 and 400 x 200	BT8390-VESA400MAF  VESA 400 Interface Arms with Micro-adjustment mount medium - large sized video wall screens to BT8390 mounting rails	BT8310XL  Pop-Out Video Wall Mount for XL screens up to 120kg
--	--	---	--

© 2015 B-Tech Av Mounts. All rights reserved. The information in this specification is subject to change without notice. B-Tech Av Mounts is a registered trademark of B-Tech Av Mounts. B-Tech Av Mounts is not responsible for any damage caused by improper or unauthorized use. B-Tech Av Mounts is not responsible for any damage caused by improper or unauthorized use. B-Tech Av Mounts is not responsible for any damage caused by improper or unauthorized use. B-Tech Av Mounts is not responsible for any damage caused by improper or unauthorized use.