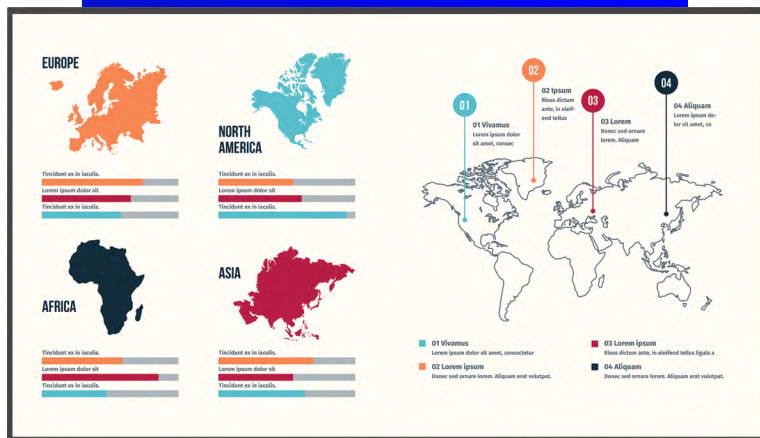


# ST02S 65"/75"/86"

Smart Signage with Ultra-Thin Bezels



Without connecting any external processing device, the built-in **Android™ OS** allows you to access files, display contents, and start presentations directly on the display.



Edit, manage, and customise content through the **X-Sign Content Management Software** by using the 150+ templates available; with the **X-Sign Broadcast**, you can deliver instant announcement to all your BenQ's displays.



Combined with DMS Cloud and DMS Local, BenQ's **Device Management Solution** helps you easily manage all your BenQ displays at the same time and maximise the productivity for your workplace.



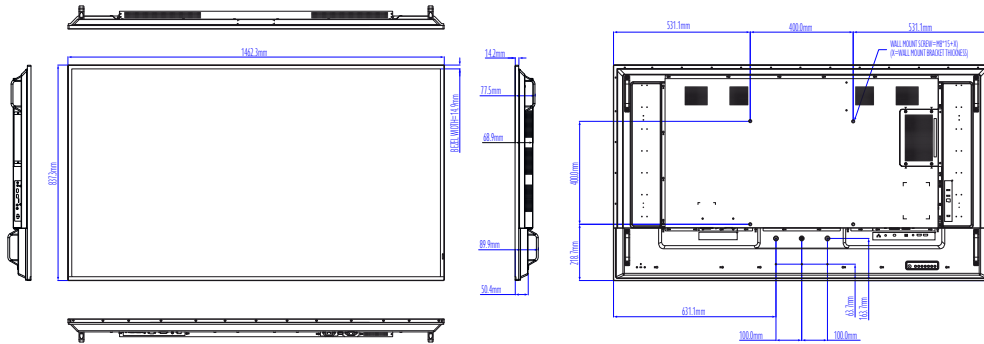
With the pre-installed **TeamViewer Meeting** you can start video meetings with a simple click. The ST02S series is perfect for video conferencing solutions.

MODEL		ST6502S	ST7502S	ST8602S	
Panel	Screen size	65"	75"	86"	
	Resolution	UHD 3840 x 2160	UHD 3840 x 2160	UHD 3840 x 2160	
	Brightness (typ.)	400nits	400nits	400nits	
	Contrast ratio (typ.)	1200:1	1200:1	1200:1	
	Viewing angle (H/V)	178°	178°	178°	
	Response time (G-t-G)	8	8	8	
	Backlight life (hrs)	30,000	30,000	30,000	
Platform solution	Panel surface	AG, Haze 1%	AG, Haze 1%	AG, Haze 25%	
	Operating hours	18hrs / 7 days	18hrs / 7 days	18hrs / 7 days	
	Orientation	Landscape	Landscape	Landscape	
Power	System memory	3GB	3GB	3GB	
	Storage	16GB	16GB	16GB	
	OS	Android 8.0	Android 8.0	Android 8.0	
	Power supply	100V-240V, 50-60Hz	100V-240V, 50-60Hz	100V-240V, 50-60Hz	
Power consumption	Maximum (W/h)	300	320	500	
	Typical (W/h)	153	173	317	
	Standby mode (w/h)	≤0.5	≤0.5	≤0.5	
	AC power switch	Yes	Yes	Yes	
Environment	Wake up	VGA / HDMI	VGA / HDMI	VGA / HDMI	
	Operation temperature	0°C - 40°C	0°C - 40°C	0°C - 40°C	
	Operating humidity	10% - 80% RH Non-Condensing	10% - 80% RH Non-Condensing	10% - 80% RH Non-Condensing	
	Energy Efficiency	Energy Star 8.0	Energy Star 8.0	Energy Star 8.0	
Connectivity	Input	VGA	x1	x1	x1
		DVI	x1	x1	x1
		HDMI	2.0 x3	2.0 x3	2.0 x3
	Output	Display port	No	No	No
		VGA	No	No	No
		DVI	No	No	No
	USB	HDMI	No	No	No
		Display port	No	No	No
		Type A	2.0 x2	2.0 x2	2.0 x2
	Audio	Type B	No	No	No
Type C		No	No	No	
RS232		Yes	Yes	Yes	
RJ45		Yes	Yes	Yes	
Remote controller		Yes	Yes	Yes	
Internal speaker		10W x2	10W x2	10W x2	
Screen dimension (W x H x D) (mm)		1462.3 x 837.3 x 68.9	1683.5 x 961.7 x 82.9	1929.0 x 1100.0 x 79.4	
Mechanical	Weight (kg)	Net weight 29	36	50	
	Gross weight	37.4	46.1	64.3	
Software	Bezel width (mm)	14.9 / 14.9 / 14.9 / 14.9	14.9 / 14.9 / 14.9 / 14.9	15.5 / 15.5 / 15.5 / 15.5	
	Wall mounting (VESA) (mm) (screw type / max. length)	400 x 400 (4 x M8 x 15L)	600 x 400 (4 x M8 x 15L)	600 x 400 (4 x M8 x 15L)	
	OPS slot	Yes	Yes	Yes	
Software	Wireless screen sharing & casting*	InstaShare 1	InstaShare 1	InstaShare 1	
	Video conferencing	Teamviewer Meeting	Teamviewer Meeting	Teamviewer Meeting	
	Media content	X-Sign	X-Sign	X-Sign	
	Remote broadcast system	X-Sign Broadcast	X-Sign Broadcast	X-Sign Broadcast	
	Centralised and remote device management	DMS Cloud/Local	DMS Cloud/Local	DMS Cloud/Local	

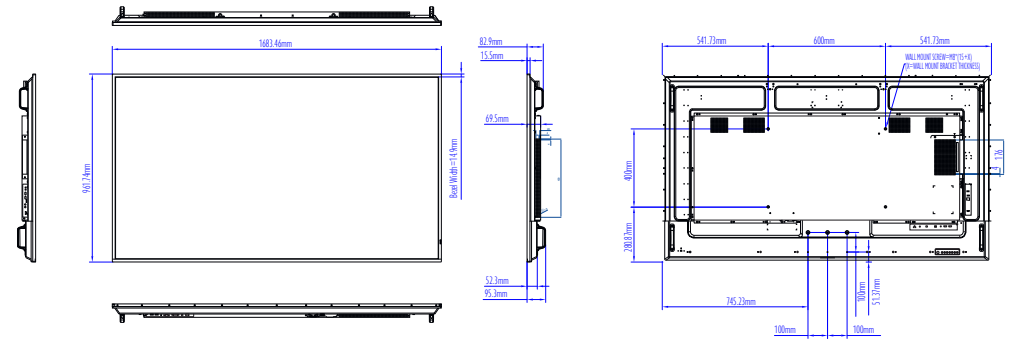
\* Support InstaShare 2 in 2022 Q4

- Specifications subject to change without notice. Please contact your local BenQ office for the full BenQ product range.

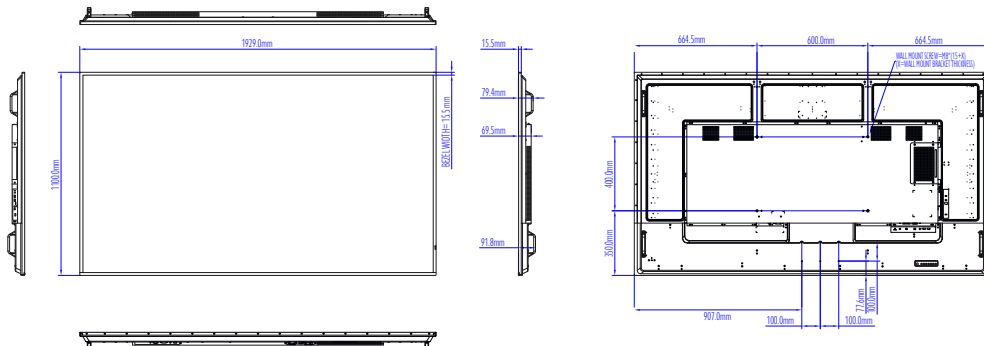
## DIMENSIONS 65'



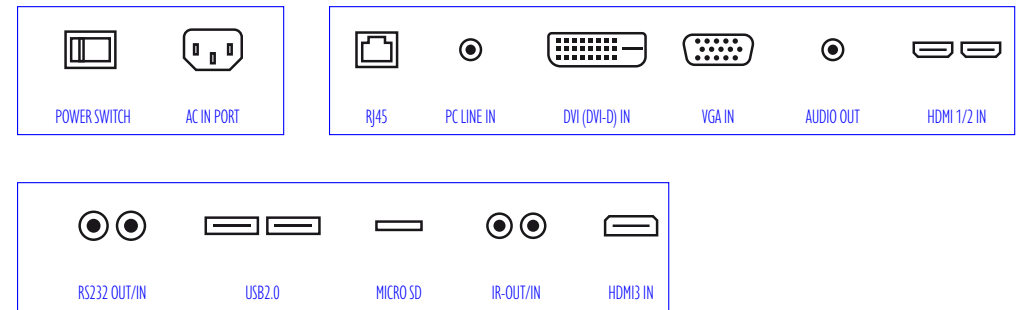
## DIMENSIONS 75'



## DIMENSIONS 86'



## INPUT AND OUTPUT TERMINALS



[www.benq.eu/en-eu/business/index.html](http://www.benq.eu/en-eu/business/index.html)



© 2022 BenQ Corp. Specifications may vary by region, please visit your local stores for details. Actual product's features and specifications are subject to change without notice. This material may include corporate names and trademarks of third parties which are the properties of the third parties respectively.

**BenQ**